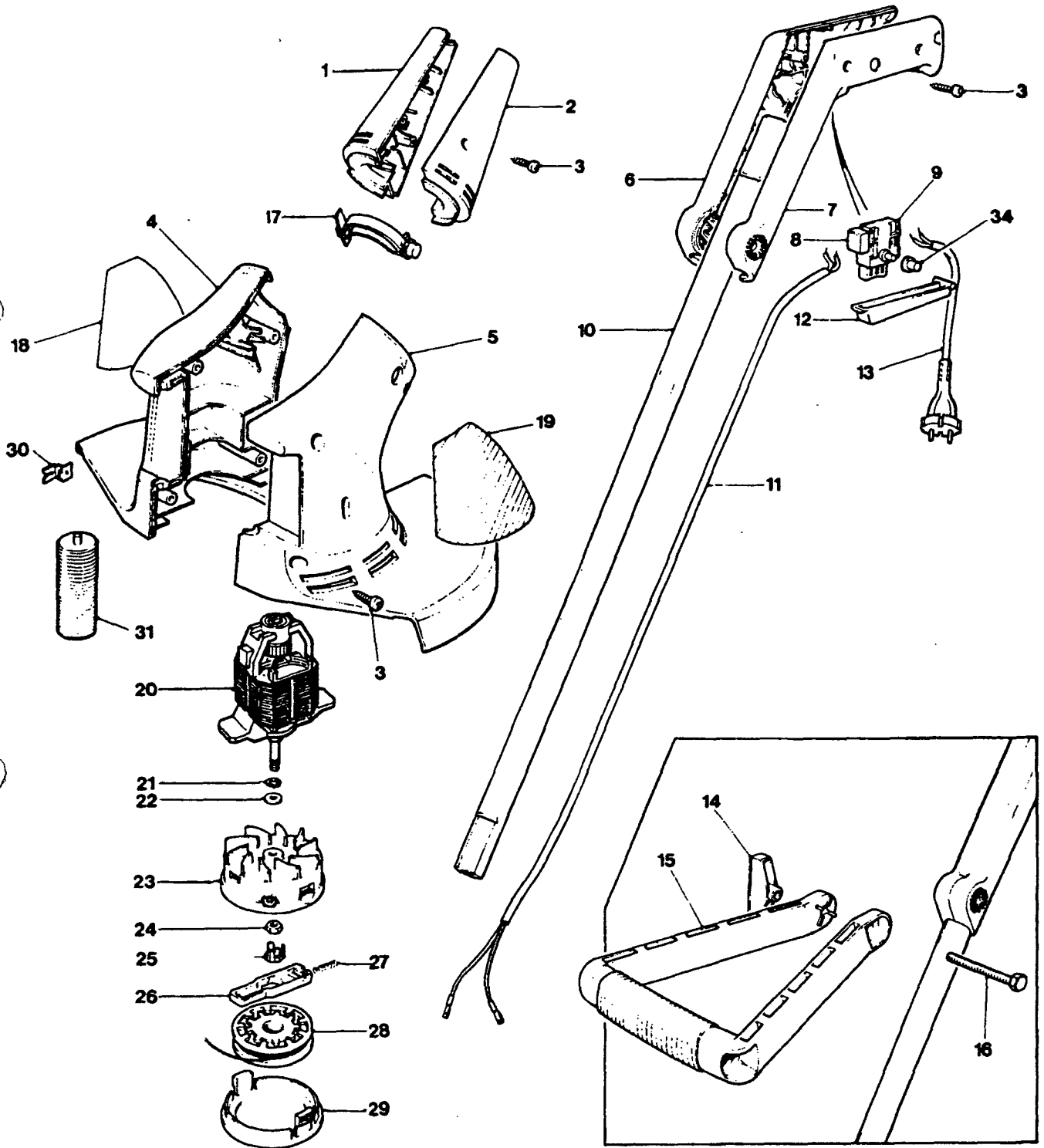


# Flymo

# Multi Trim 200



# Flymo

# Multi Trim 200 9648510

Key	Part Number	Description	Qty	Comments/Application
01	5148914-00/4	Pair of swivels	1	
02	As Key 01			
03	5148552-01/0	Screw 3.5mm s/tapping	9	
04	5148911-00/0	Pair of clamshells	1	
05	As Key 04			
06	5117224-00/5	Handle R/H	1	
07	5117225-00/2	Handle L/H	1	
08	5148397-01/0	Capacitor	1	
09	5137630-01/7	Switch, on-off, lock off	1	GB, EI, A, B, D, F, NL.
	5136674-01/6	Switch, on-off, lock off	1	N, DK, S.
10	5126981-00/9	Handle tube	1	
11	5137632-01/3	Lead, internal, 0.5mm sq.	1	
12	5137609-00/3	Switch lever	1	
13	5137738-01/8	Lead assy, 12.2m x .5mm sq.	1	GB, EI, A, D, N, S, DK.
	5148282-02/2	Lead, terminal soldered	1	F, B, NL.
14	5137679-00/6	Wing knob, M6	1	
15	5117312-00/8	Assist handle	1	
16	7252384-51/1	Bolt, M6 x 70mm	1	
17	5137842-00/0	Locking button	1	
18	5148647-01/8	Label, R/H	1	
19	5148647-02/6	Label, L/H	1	
20	5137840-00/4	Motor, 240v	1	GB, EI.
	5137840-01/2	Motor, 220v	1	A, B, D, F, N, S, DK, NL.
21	7353109-21/3	E - clip	1	
22	7341153-01/8	Washer 12.5mm OD	1	
23	5148621-01/3	Head ferrule assy.	1	
24	5148683-00/5	Nut, M6	1	
25	5148631-00/4	Insulation cap	1	
26	5126807-00/6	Line feeder	1	
27	5148374-00/1	Spring	1	
28	5137651-01/3	Spool & line	1	
29	5126976-00/9	Spool cover	1	
30	5148619-00/9	Line cutter	1	
31	5148323-00/8	Roller	1	
34	5148253-00/7	Lock off cover	1	

A Austria; AUS Australia; B Belgium; CND Canada; CH Switzerland; D Germany; DK Denmark; E Spain; EI Eire; F France; GB Great Britain; I Italy; N Norway; NL Netherlands; NZ New Zealand; O/S Overseas; P Portugal; S Sweden; SF Finland; USA America; ZA South Africa:

HERE NO APPLICATION DETAILS ARE SHOWN, PART APPLIES TO ALL COUNTRIES

9648510-18	EI	9648510-73	A
9648510-25	GB	9648510-74	DK
9648510-71	N	9648510-78	D
9648510-72	F, B, NL	9648510-79	S