

brand **Flymo**

date **27.06.2003** Sheet **1/2**

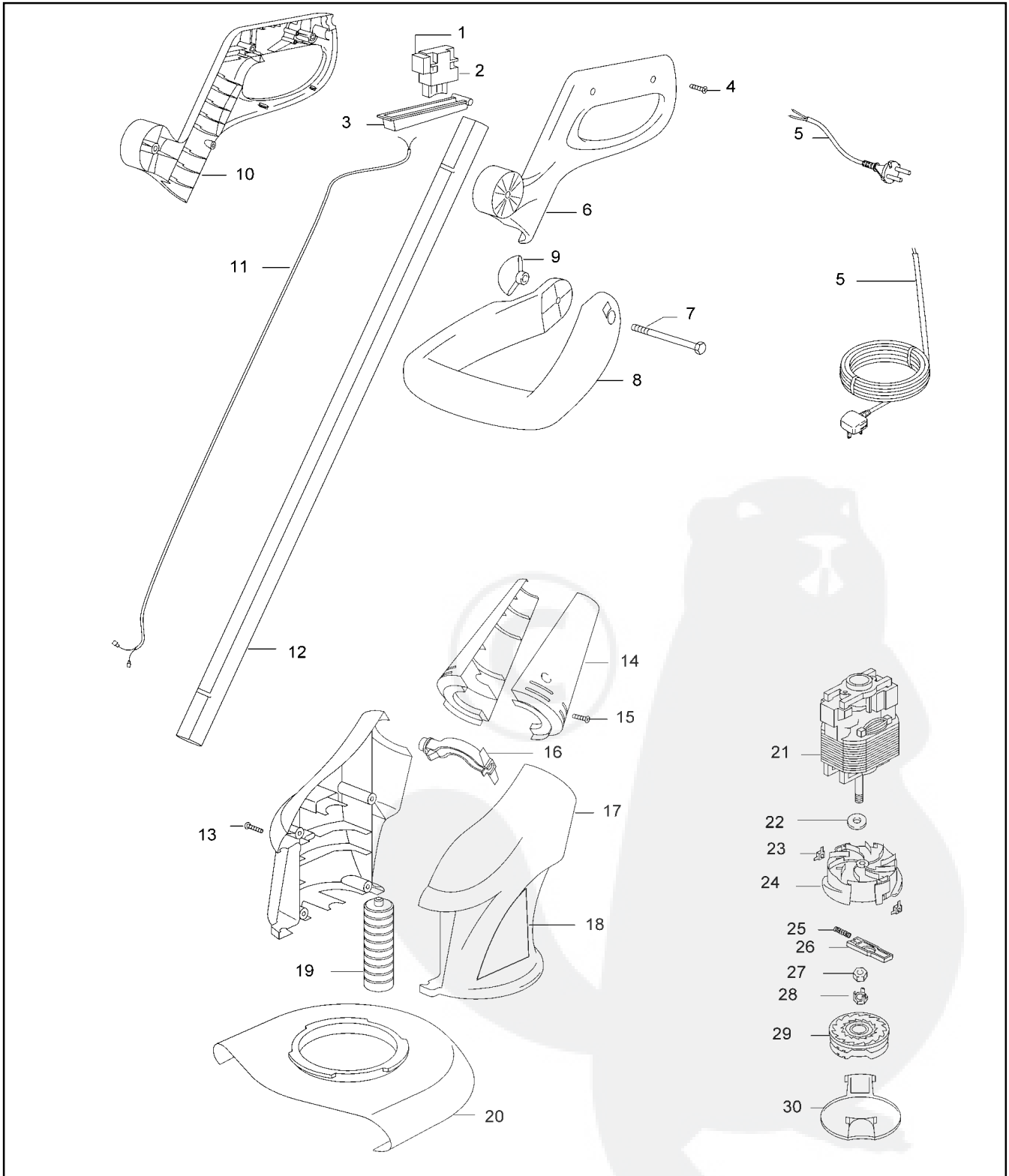
Publication No. **AP0306001**

**Model**

Multitrim 250D DBL Auto  
Multitrim 250D DBL Auto

**Product Number**

9648570-25 (UK)  
9648570-62 (Eu)



|       |       |
|-------|-------|
| brand | Flymo |
|-------|-------|

|      |            |           |
|------|------------|-----------|
| date | 27.06.2003 | Sheet 2/2 |
|------|------------|-----------|

|                         |
|-------------------------|
| Multitrim 250D DBL Auto |
|-------------------------|

| pos | Part No           | Description        | Qty | pos | Part No | Description | Qty |
|-----|-------------------|--------------------|-----|-----|---------|-------------|-----|
| 1   | 5148397-01/0      | Capacitor          | 1   |     |         |             |     |
| 2   | 5130872-00/4      | Switch             | 1   |     |         |             |     |
| 3   | 5137609-01/1      | Lever              | 1   |     |         |             |     |
| 4   | 5146672-00/0      | Screw              | 3   |     |         |             |     |
| 5   | UK 5127251-10/5   | Cable              | 1   |     |         |             |     |
| 5   | Eu 5147000-36/7   | Lead               | 1   |     |         |             |     |
| 6   | 5149971-00/3      | Handles            | 1   |     |         |             |     |
| 7   | 5149973-00/9      | Bolt               | 1   |     |         |             |     |
| 8   | 5130541-00/5      | Handle, steady     | 1   |     |         |             |     |
| 9   | 5107091-64/6      | Wing knob          | 1   |     |         |             |     |
| 10  | 5149971-00/3      | Handles            | 1   |     |         |             |     |
| 11  | 5138179-02/2      | Lead               | 1   |     |         |             |     |
| 12  | 5126981-68/6      | Handle tube        | 1   |     |         |             |     |
| 13  | 5146672-00/0      | Screw              | 4   |     |         |             |     |
| 14  | 5148915-01/9      | Swivels, pair      | 1   |     |         |             |     |
| 15  | 5146672-00/0      | Screw              | 3   |     |         |             |     |
| 16  | 5137842-01/8      | Lock button        | 1   |     |         |             |     |
| 17  | 5130542-00/3      | Clamshell kit      | 1   |     |         |             |     |
|     |                   | includes \$ items  |     |     |         |             |     |
| 18  | \$RH 5130867-00/4 | Label, warning     | 1   |     |         |             |     |
|     | \$LH 5119489-00/2 | Label, model       | 1   |     |         |             |     |
| 19  | 5138457-68/3      | Roller             | 1   |     |         |             |     |
| 20  | 5130862-25/2      | Guard              | 1   |     |         |             |     |
| 21  | 5117930-25/4      | Motor              | 1   |     |         |             |     |
| 22  | 5140266-00/7      | Washer             | 1   |     |         |             |     |
| 23  | 5139557-00/2      | Ferrules kit       | 1   |     |         |             |     |
| 24  | 5127855-00/4      | Cutting head       | 1   |     |         |             |     |
| 25  | 5149129-00/8      | Spring             | 1   |     |         |             |     |
| 26  | 5128025-00/3      | Line feeder        | 1   |     |         |             |     |
| 27  | 5148683-00/5      | Nut                | 1   |     |         |             |     |
| 28  | 5148631-00/4      | Cap                | 1   |     |         |             |     |
| 29  | 5139371-01/6      | Spool and line     | 1   |     |         |             |     |
| 30  | 5127851-00/3      | Cutting head cover | 1   |     |         |             |     |