

brand **Flymo**

date **08.07.2003** Sheet **1/2**

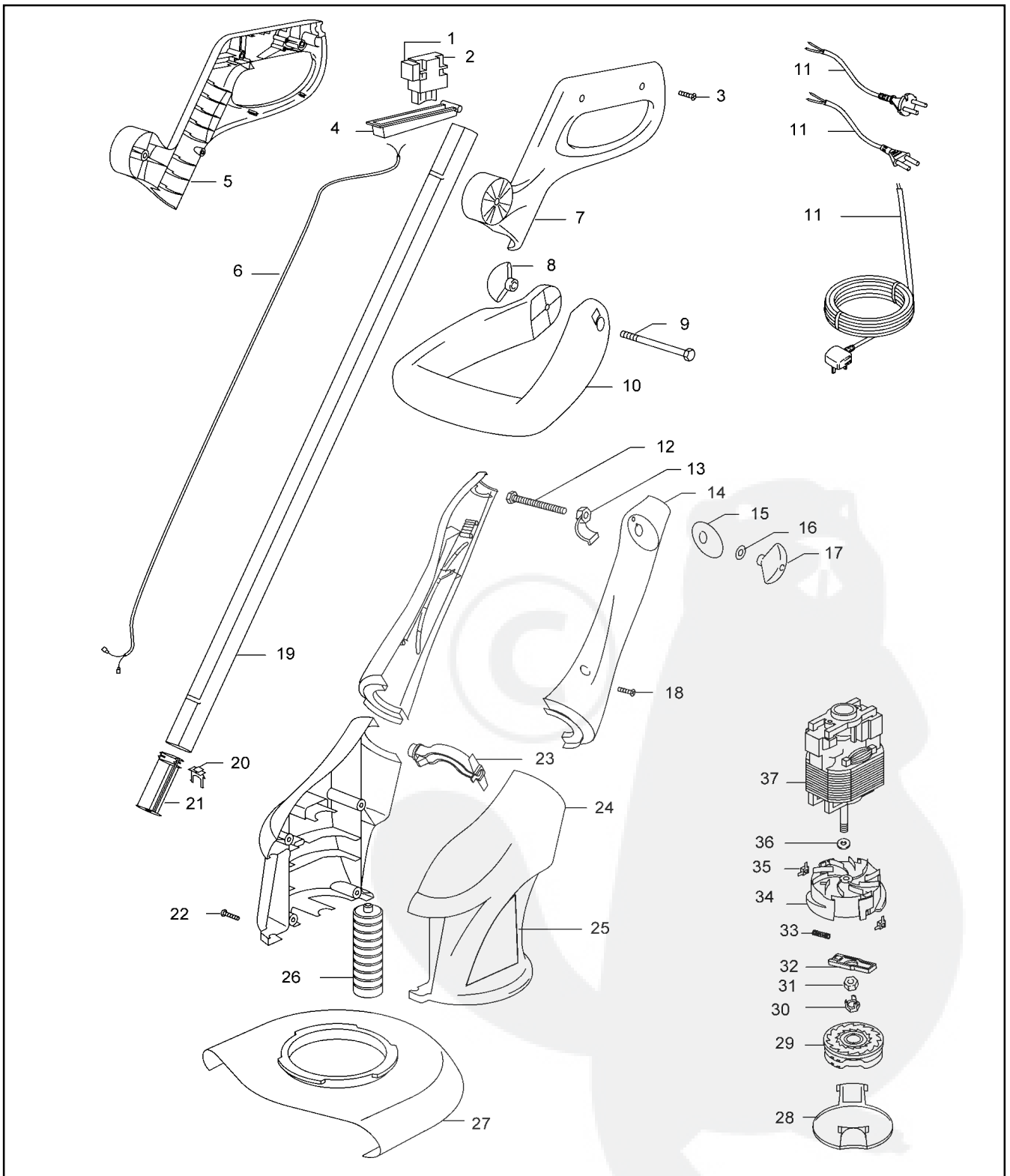
Publication No. **AP0307003**

**Model**

Multitrim 250DX DBL Auto  
 Multitrim 250DX DBL Auto  
 Multitrim 250DX DBL Auto

**Product Number**

9648571-25 (UK)  
 9648571-22 (Ch)  
 9648571-62 (Euro)



brand	Flymo
-------	-------

date	08.07.2003	Sheet 2/2
------	------------	-----------

Multitrim 250DX DBL Auto
--------------------------

pos	Part No	Description	Qty	pos	Part No	Description	Qty
1	5148397-01/0	Capacitor	1				
2	5130872-00/4	Switch	1	35	5139557-00/2	Ferrules	1
3	5146672-00/0	Screw	3	36	5140266-00/7	Washer	1
4	5137609-01/1	Lever	1	37	5117930-25/4	Motor	1
5	5149971-00/3	Handles, pair	1				
6	5138179-05/5	Internal lead	1				
7	5149971-00/3	Handles, pair	1				
8	5107091-64/6	Wing knob	1				
9	5149973-00/9	Bolt	1				
10	5130541-00/5	Handle, front	1				
11	UK 5127251-10/5	Cable	1				
11	CH 5147000-03/0	Lead	1				
11	Eu 5147000-36/7	Lead	1				
12	7252376-51/7	Bolt	1				
13	5139597-00/8	Clamp	1				
14	5139601-01/6	Swivels, pair	1				
15	5139598-00/6	Disc, wing knob	1				
16	5140266-00/7	Washer	1				
17	5107091-64/6	Wing knob	1				
18	5146672-00/0	Screw	3				
19	5127998-68/9	Tube handle	1				
20	5139596-00/0	Clamp	1				
21	5139595-00/2	Grommet	1				
22	5146672-00/0	Screw	4				
23	5137842-01/8	Lock button	1				
24	5130542-00/3	Clamshell kit	1				
		includes \$ items					
25	\$RH 5130867-00/4	Label, warning	1				
	\$LH 5119489-00/2	Label, model	1				
26	5138457-68/3	Roller	1				
27	5130862-25/2	Guard	1				
28	5127851-00/3	Cutting head cover	1				
29	5139371-01/6	Spool and line	1				
30	5148631-00/4	Cap, insulation	1				
31	5148683-00/5	Nut	1				
32	5128025-00/3	Line feeder	1				
33	5149129-00/8	Spring	1				
34	5127855-00/4	Cutting head	1				