

brand **Flymo**

date **05.04.2003** Sheet **1/2**

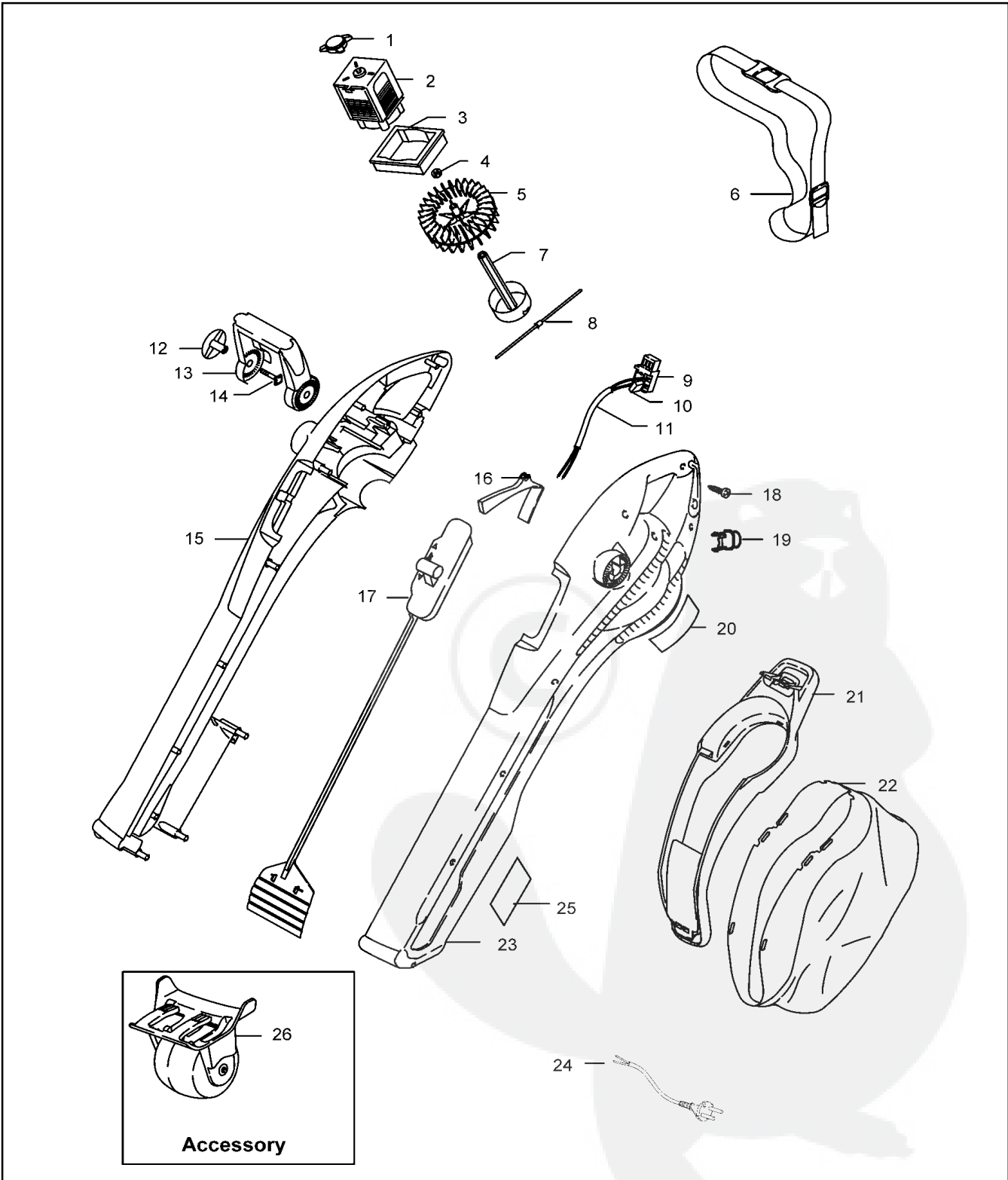
Publication No. **AP0303002**

**Model**

**Gardenvac 1800 Turbo**

**Product Number**

**9648631-62**



brand | Flymo

date | 05.03.2003 | Sheet 2/2

Gardenvac 1800 Turbo

pos	Part No	Description	Qty	pos	Part No	Description	Qty
1	5138591-00/2	Suspension Bush	1				
2	5117899-48/3	Motor	1				
3	5138592-00/0	Suspension Ring	1				
4	5149164-00/5	Washer	1				
5	5118377-60/4	Impeller	1				
6	5139366-00/8	Strap	1				
7	5119308-68/1	Cutting Head	1				
8	5138593-80/0	Shredding Line	1				
		Pre Pack (x5)					
9	5138609-00/2	Switch	1				
10	5149866-00/5	Capacitor	1				
11	5138604-01/1	Internal Lead	1				
		Assembly					
12	5127577-68/1	Wing Knob	2				
13	5118099-68/7	Handle Front	1				
14	5148859-01/9	Bolt	2				
15	5149841-04/0	Clamshell Kit	1				
16	5128037-68/5	Switch Actuator	1				
17	5106849-68/9	Valve Mechanism	1				
18	5146672-00/0	Screw	12				
19	5127732-68/2	Cord anchor	1				
20	5138370-00/1	Warning Label	1				
21	5130587-68/5	Bag Frame	1				
		Assembly					
22	5106848-00/4	Debris Bag	1				
23	5149841-04/0	Clamshell Kit	1				
24	5147000-40/9	Lead	1				
25	5130954-00/0	Model Label	1				
26	5118400-00/0	Wheel assembly	1				
		(Not Included)					