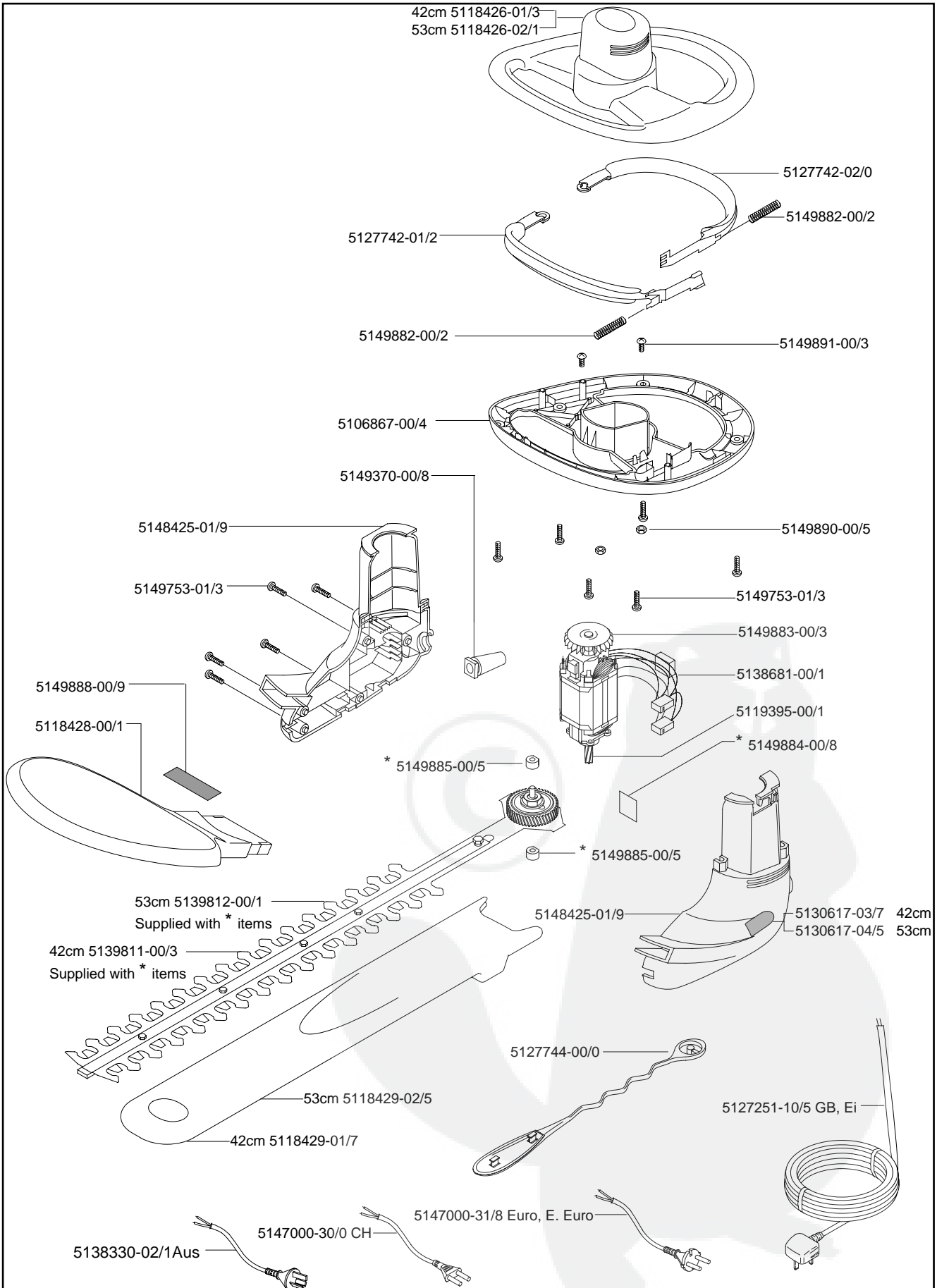


**MODEL**      **EHT 420/530**

EHT420 9648100-01 GB,EI    9648100-22 CH    9648100-67 E.Euro    9648100-86 W.Euro    9648100-99 Aus  
 EHT530 9648110-01 GB,EI    9648110-22 CH    9648110-67 E.Euro    9648110-86 W.Euro    9648110-99 Aus



# Flymo

## Easi-Trim EHT 420



### Unique design for light and easy handling

*The easiest way to trim your hedges*

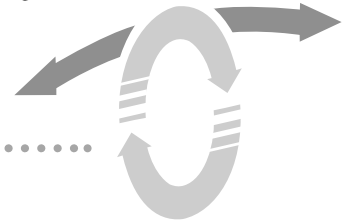
- Unique handle design for comfortable trimming at any angle.
- Lightweight product makes trimming less tiring.
- Powerful Double action blades for a faster neater finish. Can cut branches up to 14mm in width.
- Two handed operation for safer hedge trimming.
- Safety blades prevent accidental injury.
- Blades stop in under 1/2 second for added safety.
- Blade sheath for easy storage.
- Gear overload protection.
- Wider switches for greater choice of grip.
- Transparent hand guard for user protection.

### Features

|                                |                    |
|--------------------------------|--------------------|
| Blade Length .....             | 42 cm              |
| Motor Power .....              | 400 W              |
| Blade Gap .....                | 14 mm              |
| Cutting movement .....         | 2100 strokes / min |
| Two handed safety switch ..... | Yes                |
| Blade stopping time .....      | 0.5 second         |
| Blade design .....             | Safety             |
| Blade sheath .....             | Yes                |
| Carton Dimensions .....        | 805x235x195 mm     |
| Weight (Unpacked) .....        | 2.5 Kg             |
| Weight (Packed) .....          | 4.5 Kg             |



# Easi-Trim EHT 530



## Unique design for light and easy handling

*The easiest way to trim your hedges*

- Unique handle design for comfortable trimming at any angle.
- Lightweight product makes trimming less tiring.
- Powerful Double action blades for a faster neater finish. Can cut branches up to 14mm in width.
- Two handed operation for safer hedge trimming.
- Safety blades prevent accidental injury.
- Blades stop in under 1/2 second for added safety.
- Blade sheath for easy storage.
- Gear overload protection.
- Wider switches for greater choice of grip.
- Transparent hand guard for user protection.

## Features

|                          |                    |
|--------------------------|--------------------|
| Blade Length             | 53 cm              |
| Motor Power              | 400 W              |
| Blade Gap                | 14 mm              |
| Cutting movement         | 2100 strokes / min |
| Two handed safety switch | Yes                |
| Blade stopping time      | 0.5 second         |
| Blade design             | Safety             |
| Blade sheath             | Yes                |
| Carton Dimensions        | 925x235x195 mm     |
| Weight (Unpacked)        | 2.6 Kg             |
| Weight (Packed)          | 4.6 Kg             |