

brand	FLYMO
-------	--------------

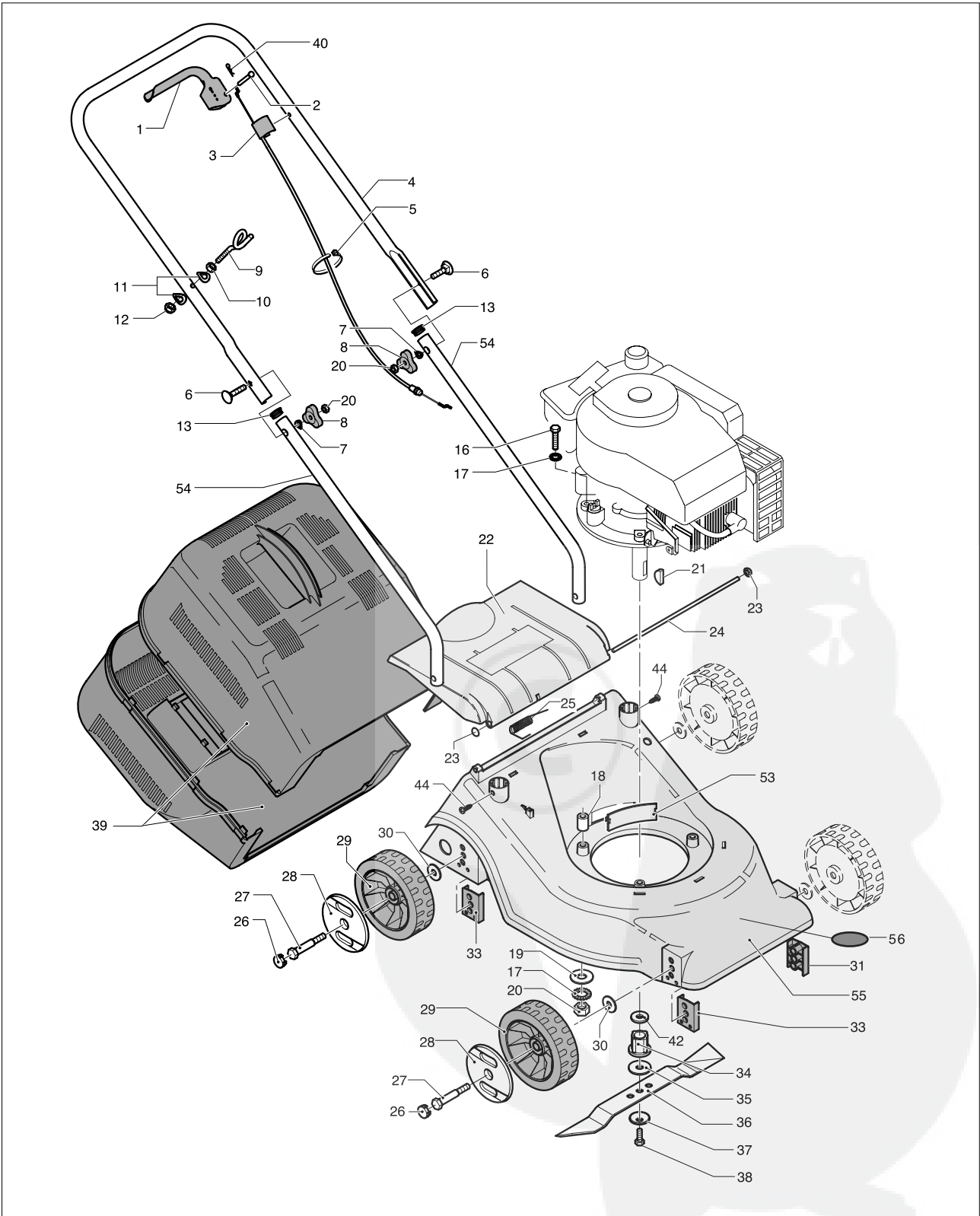
date	MAR/04	SHEET 1/2
------	--------	-----------

Model

LAWNCHIEF 400 P

Product number

953878027



brand **FLYMO**

date mar-04 SHEET 02/02

Model

LAWNCHIEF 400 P

Product number

953878027

Pos.	PN ELX	DESCRIPTION	Q.ty
1	531206027	lever	1
2	531207409	pin	1
3	531206438	cable	1
4	531213022	upper handle	1
5	531205581	clamp	1
6	531207089	screw	2
7	531207090	washer	2
8	531204923	knob	2
9	531205169	cable hook	1
10	531207165	nut	1
11	531204961	washer	2
12	531208491	nut	1
13	531208950	plug	2
16	531206681	screw	3
17	531207981	washer	6
18	531206415	spacer	3
19	531204904	washer	3
20	531207982	nut	5
21	531204907	key	1
22	531210577	deflector	1
23	531206690	washer	2
24	531206415	tie rod	1
25	531206399	spring	1
26	531210698	plug	4

Pos.	PN ELX	DESCRIPTION	Q.ty
27	531207977	screw	4
28	531210697	housing	4
29	531206401	wheel	4
30	531207989	washer	4
31	531206415	plate	2
32	531211135	deck	1
33	531206419	plate	2
34	531207242	bearing blade	1
35	531207243	washer	1
36	531211653	blade	1
37	531207237	washer	1
38	531208008	screw	1
39	531206395	grass catcher	2
40	531207408	cotter pin	1
42	531207122	washer	1
44	531207937	screw	2
53	531206455	plug	1
54	531210704	handle lowere	2
55	531211135	deck	1
56	531212900	label	1

