

brand	<b>FLYMO</b>
-------	--------------

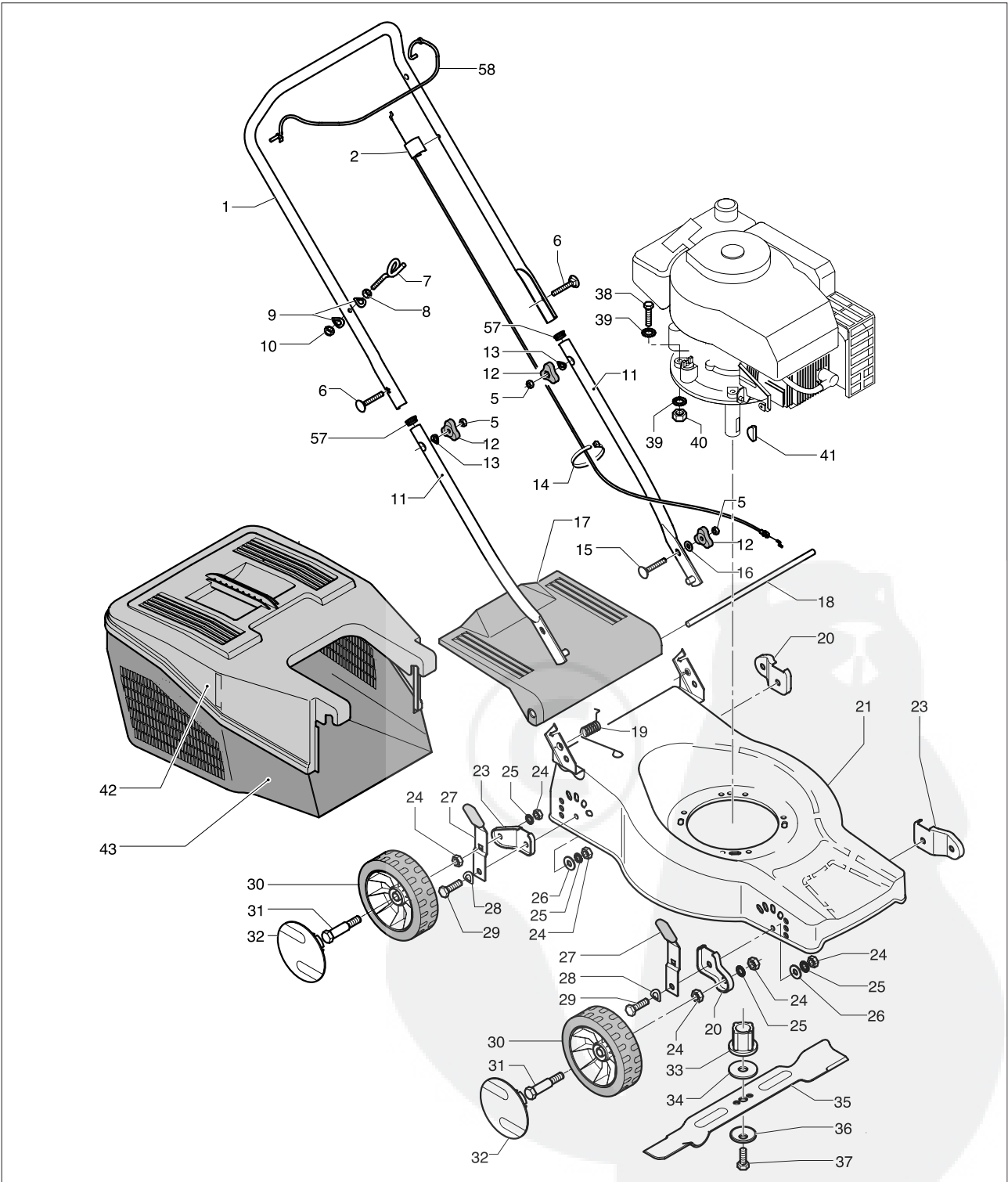
date	FEB/04	SHEET 1/2
------	--------	-----------

Model

<b>Sovereign 40cm</b>

Product number

<b>953878029</b>



brand **FLYMO**

date feb-04 SHEET 2/2

Model

**Sovereign 40cm**

Product number

**953878029**

Pos.	PN ELX	DESCRIPTION	Q.ty
1	531205203	UPPER HANDLE	1
2	531206026	CABLE	1
5	531207982	NUT	4
6	531207089	SCREW	2
7	531205169	CABLE HOOK	1
8	531207165	NUT	1
9	531204961	WASHER	2
10	531208491	NUT	1
11	531206071	HANDLE LOWER	2
12	531204923	KNOP	4
13	531207090	WASHER	2
14	531205581	CLAMP	1
15	531204921	SCREW	2
16	531204922	WASHER	2
17	531205984	DEFLECTOR	1
18	531205060	TIE ROD	1
19	531205999	SPRING	1
20	531204915	SUPPORT	2
21	531211079	DECK	1
23	531204914	SUPPORT	2
24	531207978	NUT	12
25	531208974	WASHER	8
26	531207989	WASHER	4
27	531204913	LEVER	4
28	531206643	WASHER	4
29	531204912	SCREW	4

Pos.	PN ELX	DESCRIPTION	Q.ty
30	531206015	WHEEL	4
31	531205042	SCREW	4
32	531206013	PLUG	4
33	531207242	BLADE ADAPTER	1
34	531207243	WASHER	1
35	531205349	BLADE	1
36	531207237	WASHER	1
37	531208008	SCREW	1
38	531205196	SCREW	3
39	531207981	WASHER	6
40	531207982	NUT	3
41	531204907	KEY	1
42	531208296	GRASS CATCHER UPPER	1
43	531208313	GRASS CATCHER BOTTOM	1
48	531205039	WHEEL	4
57	531208950	PLUG	2
58	531205168	BRAKE HANDLE	1

