

brand	FLYMO
-------	--------------

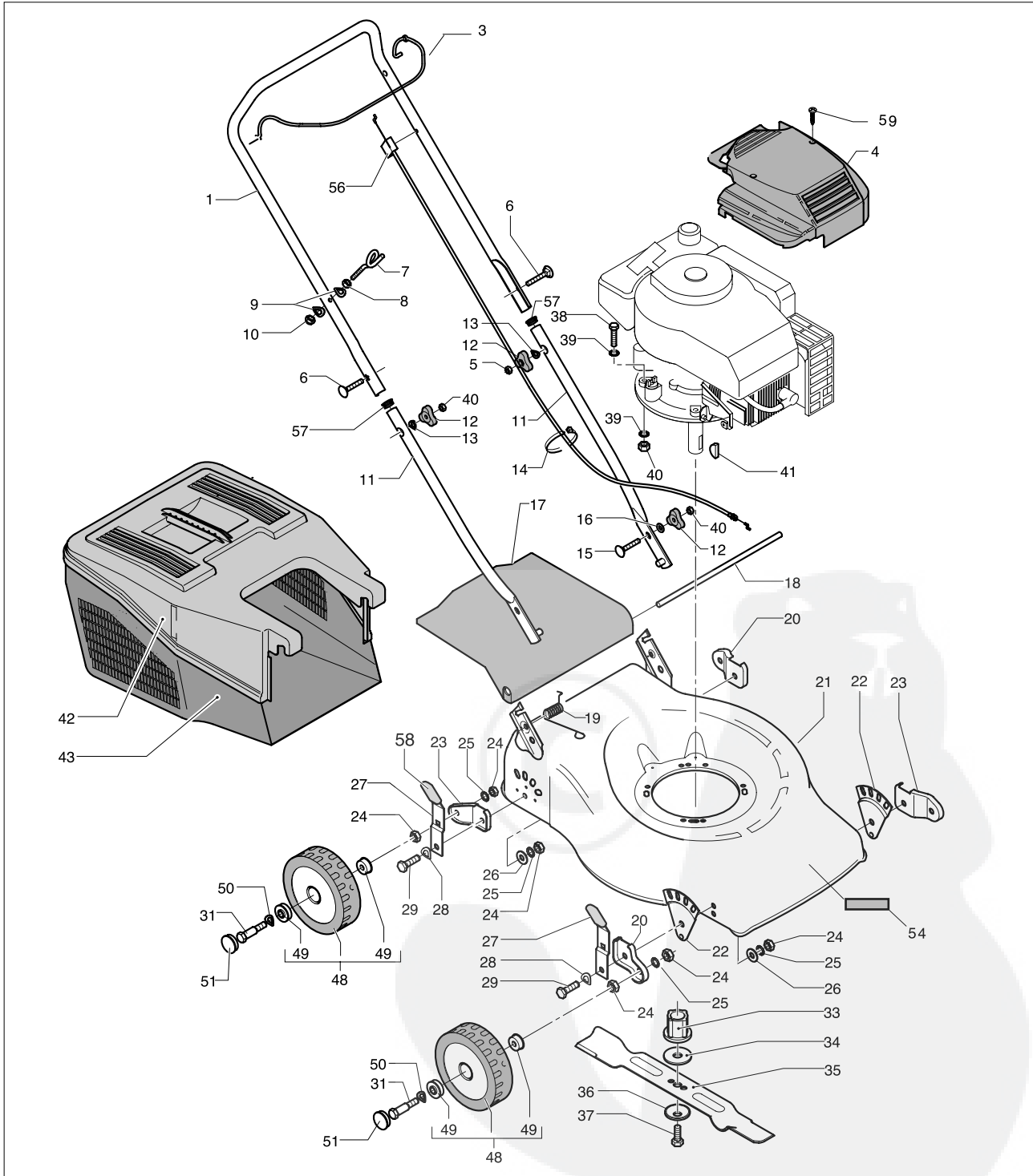
date	FEB/04	SHEET 1/2
------	--------	-----------

Model

QUICKSILVER 46S

Product number

9538780-30



brand **FLYMO**

date FEB-04 SHEET 2/2

Model

QUICKSILVER 46S

Product number

9538780-30

Pos.	PN ELX	DESCRIPTION	Q.ty
1	531205203	UPPER HANDLE	1
3	531205167	BRAKE HANDLE	1
4	531213013	DECK	1
6	531207089	SCREW	2
7	531205169	CABLE HOOK	1
8	531207165	NUT	1
9	531204961	WASHER	2
10	531208491	NUT	1
11	531206071	HANDLE LOWER	2
12	531204923	KNOP	4
13	531207090	WASHER	2
14	531205581	CLAMP	1
15	531204921	SCREW	2
16	531204922	WASHER	2
17	531205980	DEFLECTOR	1
18	531205060	TIE ROD	1
19	531212360	DEFLECTOR	1
20	531204914	SUPPORT	2
21	531212403	DECK	1
22	531210608	SUPPORT	2
23	531204915	SUPPORT	2
24	531207978	NUT	12
25	531208974	WASHER	8
26	531207989	WASHER	4
27	531207985	LEVER	4
28	531206020	WASHER	8
29	531204912	SCREW	4
31	531205042	SCREW	4
33	531207242	BLADE ADAPTER	1
34	531207243	WASHER	1
35	531211652	BLADE	1
36	531207237	WASHER	1
37	531208008	SCREW	1
38	531205196	SCREW	3

Pos.	PN ELX	DESCRIPTION	Q.ty
39	531207981	WASHER	6
40	531207982	NUT	7
41	531204907	KEY	1
42	531208296	GRASS CATCHER UP	1
43	531208313	GRASS CATCHER BOT.	1
48	531212859	DASH-BOARD	4
49	531205214	BALL-BEARING	8
50	531206643	WASHER	4
51	531210580	PLUG	4
54	531212894	LABEL	1
56	531206026	CABLE	1
57	531208950	PLUG	2
58	531207986	SHEATING	4
59	531205823	SCREW	2

