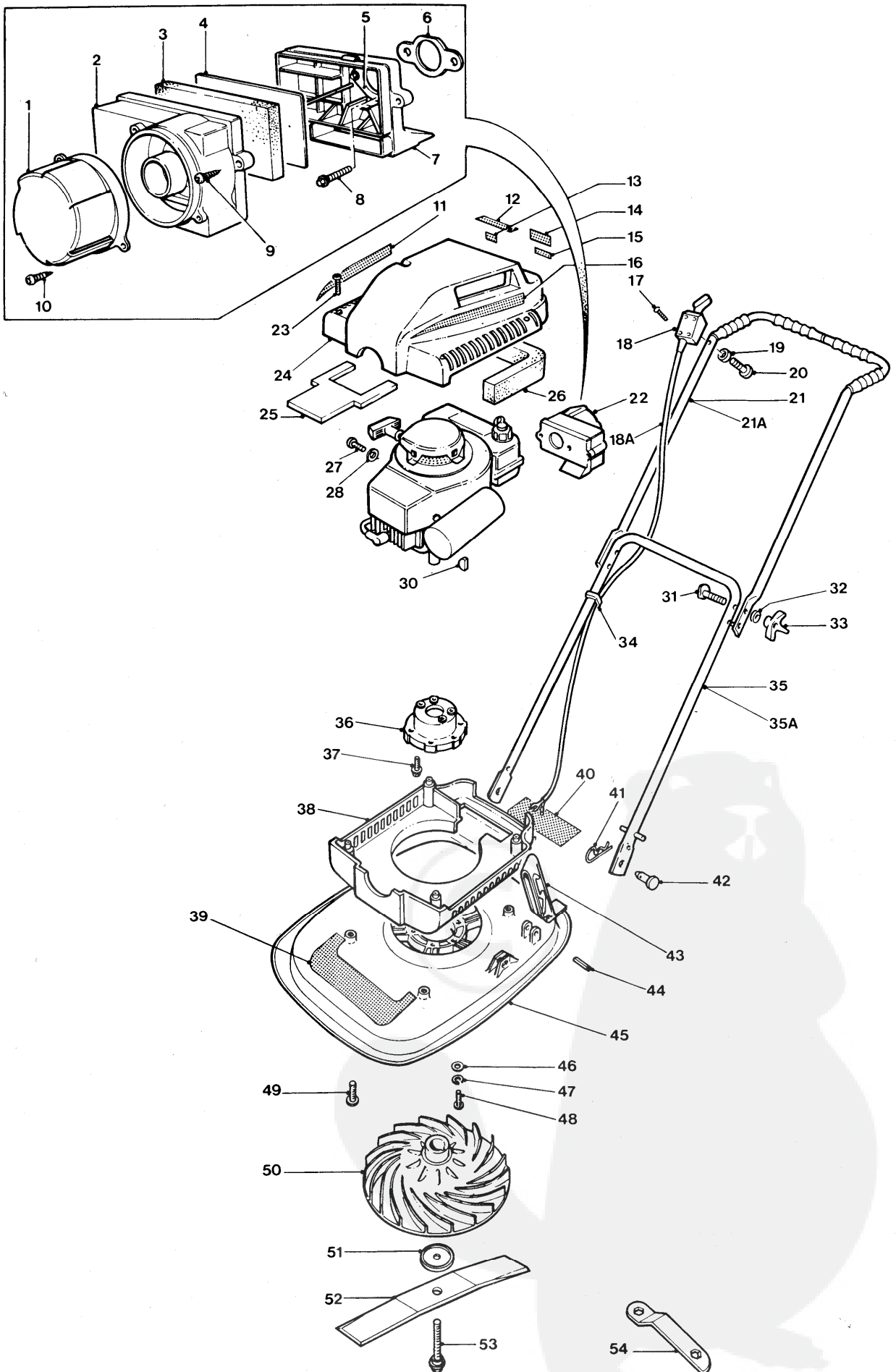




PILOT

L38-4 9630143 L38-5 9630145
9630144



Flymo

PILOT

L38-4 9630143 L38-5 9630145
9630144

KEY NO.	PART NO.	QUANTITY	DESCRIPTION	COMMENTS	KEY NO.	PART NO.	QUANTITY	DESCRIPTION	COMMENTS
1	5126163-04/6	1	CAP INTAKE	ALT. USE 5126163-01/2	31	5140607-00/2	2	BOLT HANDLE ¼ UNC×45LG	
2	5126077-03/0	1	FILTER RETAINER	ALT. USE 5126077-02/2	32	5140266-00/7	2	WASHER	
3	5141659-01/0	1	FILTER		33	5140690-00/8	2	KNOB WING	
4	5141660-00/0	1	FILTER		34	5147150-00/6	2	TIE WRAP	
5	5141685-00/7	1	SPACER		35	5126374-00/7	1	HANDLE LOWER	L38-4
6	5141686-00/5	1	GASKET			5126696-00/3	1	HANDLE LOWER	L38-5
7	5120377-04/8	1	FILTER HOUSING	ALT. USE 5120377-01/4	36	5116765-00/8	1	ADAPTOR PLATE	
8	5141687-00/3	2	SCREW		37	5141557-00/8	4	SCREW (SEMS) 5/16 UNC	
9	5146045-01/7	2	SCREW		38	5106193-03/9	1	COWLING LOWER ORANGE	ALT. USE 5106193-04/7
10	5140866-00/4	2	SCREW		39	5126598-00/1	1	LABEL FLYMO	ALT. USE 5116121-00/4
11	5126530-00/4	1	LABEL UPPER COWL RIGHT		40	5146485-00/7	1	LABEL WARNING	GB.
	5126560-00/1	1	LABEL UPPER COWL RIGHT	A.B.CH.D.F.NL.N.DK.S.		5136303-00/4	1	LABEL WARNING	O/S.E.P.I.
12	5146543-00/3	1	LABEL FUEL MIXTURE	GB.O/S.E.P.I.		5136558-00/3	1	LABEL WARNING	A.B.CH.D.F.NL.
	5148274-00/3	1	LABEL FUEL/OIL 1:50	GB.O/S.E.P.I.		5136706-00/8	1	LABEL WARNING	DK.N.S.SF.
	5148275-00/0	1	LABEL FUEL/OIL 1:50	A.B.CH.D.F.NL.	41	5140423-00/4	2	PIN RETAINING	
	5148276-00/8	1	LABEL FUEL/OIL 1:50	DK.N.S.SF.	42	5140092-00/7	2	PIN LOCKING	
13	5146528-00/4	1	LABEL SHUT OFF VALVE		43	5116388-01/7	1	LEVER UP STOP	ALT. USE 5116388-04/1
14	5146555-00/7	1	LABEL INSTRUCTIONS	O/S.E.P.I.	44	5147029-01/0	1	ROLL PIN	
	5146540-00/9	1	LABEL INSTRUCTIONS	A.B.CH.D.F.NL.	45	5106205-07/2	1	HOOD 38CM LESS UPSTOP	L38-4
	5146539-00/1	1	LABEL INSTRUCTIONS	DK.N.S.SF.		5147924-004	1	HOOD 38CM C/W UPSTOP	L38-4
15	5146531-00/8	1	LABEL NORMAL-CHOKE			5106205-130	1	HOOD 38CM	L38-5
16	5126530-01/2	1	LABEL UPPER COWL LEFT			5147924-129	1	HOOD ASSY C/W UPSTOP	L38-5
	5126560-01/9	1	LABEL UPPER COWL LEFT	A.B.CH.D.F.NL.N.DK.S.	46	5146309-00/9	6	WASHER	
17	5140508-00/2	4	SCREW		47	5147524-00/2	6	WASHER SPRING	
18	5140500-00/9	1	SWITCH		48	5141585-01/7	6	SCREW ¼-20UNC×25LG	
18A	5140510-02/4	1	CABLE		49	5146045-03/3	4	SCREW NO. 10×19LG POZI PAN	
19	5146338-00/8	1	WASHER NETTLE FOLD		50	5116507-00/4	1	IMPELLOR	L38-4 (BORED DEPTH 30MM)
20	5146731-00/4	1	SCREW			5116968-00/8	1	IMPELLER	L38-5
21	5116120-07/1	1	HANDLE UPPER C/W GRIP	L38-4	51	5140001-01/8	3	BLADE SPACER	
21A	5116120-10/5	1	HANDLE UPPER C/W GRIP	L38-5 (PRAM TYPE)	52	5130225-00/3	1	BLADE 38CM	
22	5110407-04/5	1	TURBO FILTER ASSY BLACK	ALT. USE 5110407-03/7	53	5146677-04/1	1	BOLT BLADE 75MM LONG	
23	5146045-03/3	4	SCREW NO. 10×19LG POZI PAN		54	5130109-00/1	1	SPANNER	
24	5106192-02/3	1	COWLING UPPER BROWN						
25	5126533-00/8	1	INSULATION UPPER COWL	A.B.CH.D.F.NL.N.DK.S.					
26	5146580-01/3	1	FILTER						
27	5146329-00/7	1	SCREW						
28	5140266-00/7	1	WASHER						
30	5140053-00/9	1	KEY						

* UPPER AND LOWER HANDLES ARE NOT INTERCHANGEABLE WITHIN MODELS AS INDIVIDUAL PARTS

PRODUCT VARIANT

9630143-51	GB.	L38-4	9630143-54	O/S.E.P.I.	L38-4	9630144-52	A.B.CH.D.F.NL.	L38-4	9630144-53	N.DK.S.SF	L38-4
9630145-51	GB.	L38-5	9630143-52	A.B.CH.D.F.NL.	L38-5	9630145-53	DK.N.S.SF.	L38-5	9630145-54	O/S.E.P.I.	L38-5