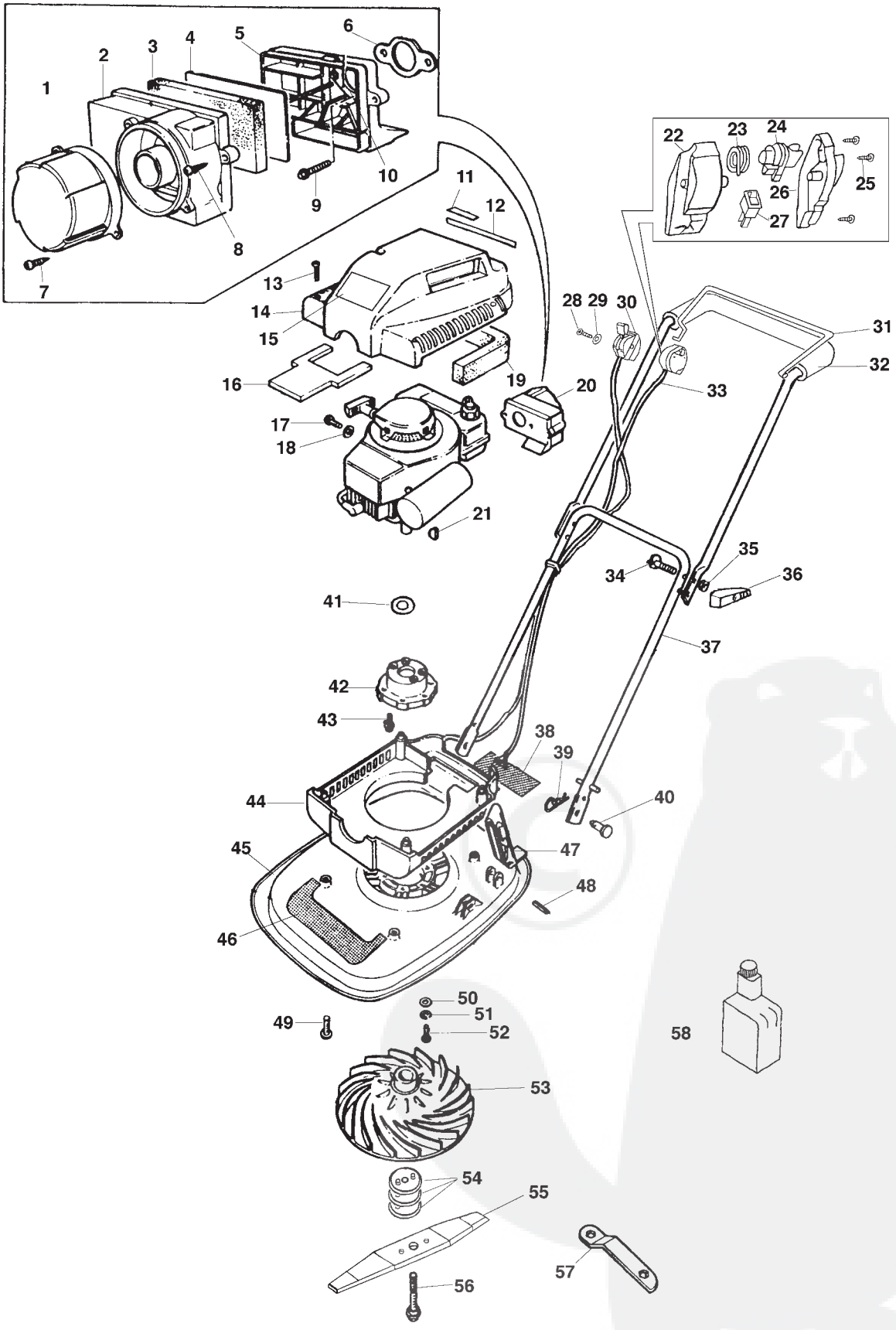


MODEL	L47	PRODUCT APPLICATION
PRODUCT NO.	9630448	9630448-59 A,B,D,E,F,GB,EI,NL,DK,NL,S,SF



MODEL	L47	PRODUCT APPLICATION
PRODUCT NO.	9630448	9630448-59 A,B,D,E,F,GB,EI,NL,DK,NL,S,SF



KEY PART NUMBER

01	5126163-04/6	1	CAP INTAKE
02	5126077-03/0	1	FILTER RETAINER
03	5141659-01/0	1	FILTER,FOAM
04	5141660-00/0	1	FILTER,CLOTH
05	5120377-04/8	1	FILTER HOUSING
06	5141686-00/5	1	GASKET
07	5140866-00/4	2	SCREW
08	5146045-01/7	2	SCREW
09	5141687-00/3	2	SCREW
10	5141685-00/7	1	SPACER
11	5149172-00/8	1	LABEL, FUEL MIX
12	5149278-00/3	1	LABEL, SHUT OFF
13	5146045-03/3	8	SCREW
14	5106192-68/4	1	COWL
15	5149306-00/2	1	LABEL
16	5126533-00/8	1	INSULATION
17	5148971-00/4	1	BOLT
18	5140266-00/7	1	WASHER
19	5146580-01/3	1	FILTER
20	5110407-04/5	1	TURBO FILTER ASSEMBLY
21	5140053-00/9	1	KEY
22	5127407-00/4	1	HOUSING
23	5149219-00/7	1	SPRING
24	5138255-00/4	1	ACTUATOR HUB
25	5146672-00/0	3	SCREW
26	5127408-00/2	1	COVER
27	5149222-00/1	1	SWITCH
28	5149139-00/7	1	SCREW
30	5127222-03/1	1	CONTROL CHOKE
31	5117849-01/7	1	LEVER
32	5117812-01/5	1	HANDLE UPPER
33	5149244-00/5	1	CABLE ASSY
34	5148672-00/8	2	BOLT
35	5140266-00/7	2	WASHER
36	5137679-00/6	2	WING KNOB
37	5126696-06/0	1	HANDLE LOWER
38	5138258-00/8	1	LABEL:WARNING
39	5140423-00/4	2	PIN RETAINING
40	5140092-03/1	2	PIVOT PIN
41	5141737-03/0	1	PROTECTION SLINGER
42	5116765-00/8	1	ADAPTOR PLATE
43	5141557-00/8	4	SCREW
44	5106193-04/7	1	COWL LOWER
45	5106206-09/6	1	HOOD
46	5149265-00/0	1	LABEL, FLYMO
47	5116388-04/1	1	LEVER UP STOP
48	5147029-01/0	1	ROLL PIN
49	5146045-03/3	8	SCREW
50	5146309-00/9	6	WASHER
51	5147524-00/2	6	WASHER
52	5141585-01/7	6	SCREW
53	5116968-00/8	1	IMPELLER
54	5140001-00/8	1	BLADE SPACER PEGGED
55	5120220-03/2	1	BLADE
56	5146677-04/1	1	BOLT BLADE
57	5130109-00/1	1	SPANNER
58	5117838-00/2	1	PETROL/OIL MIXING BOTTLE

