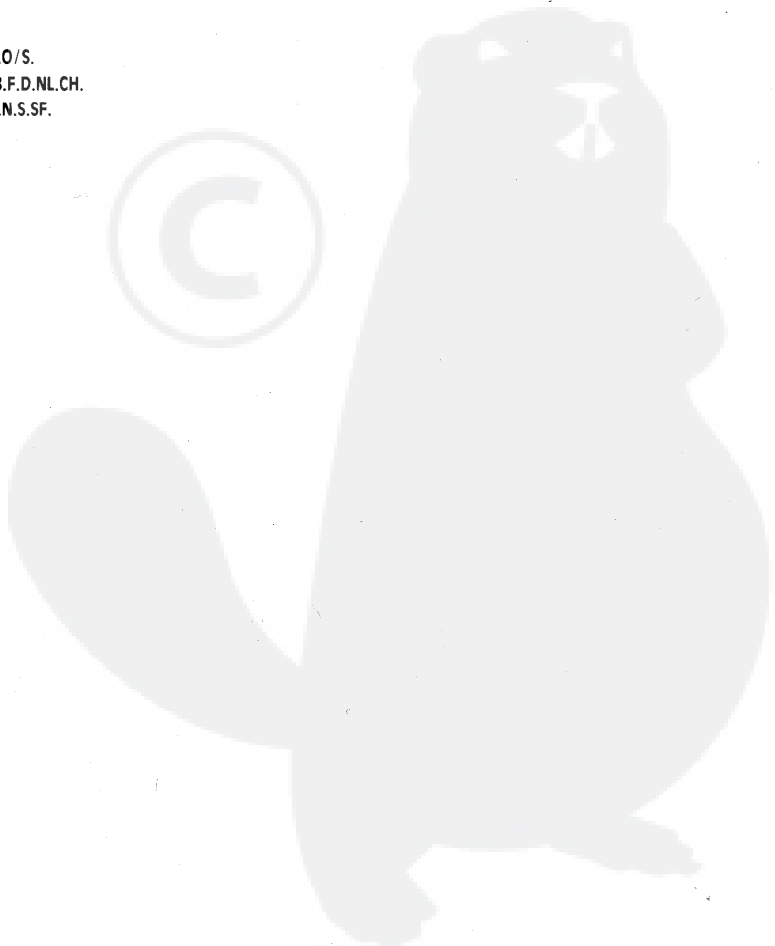


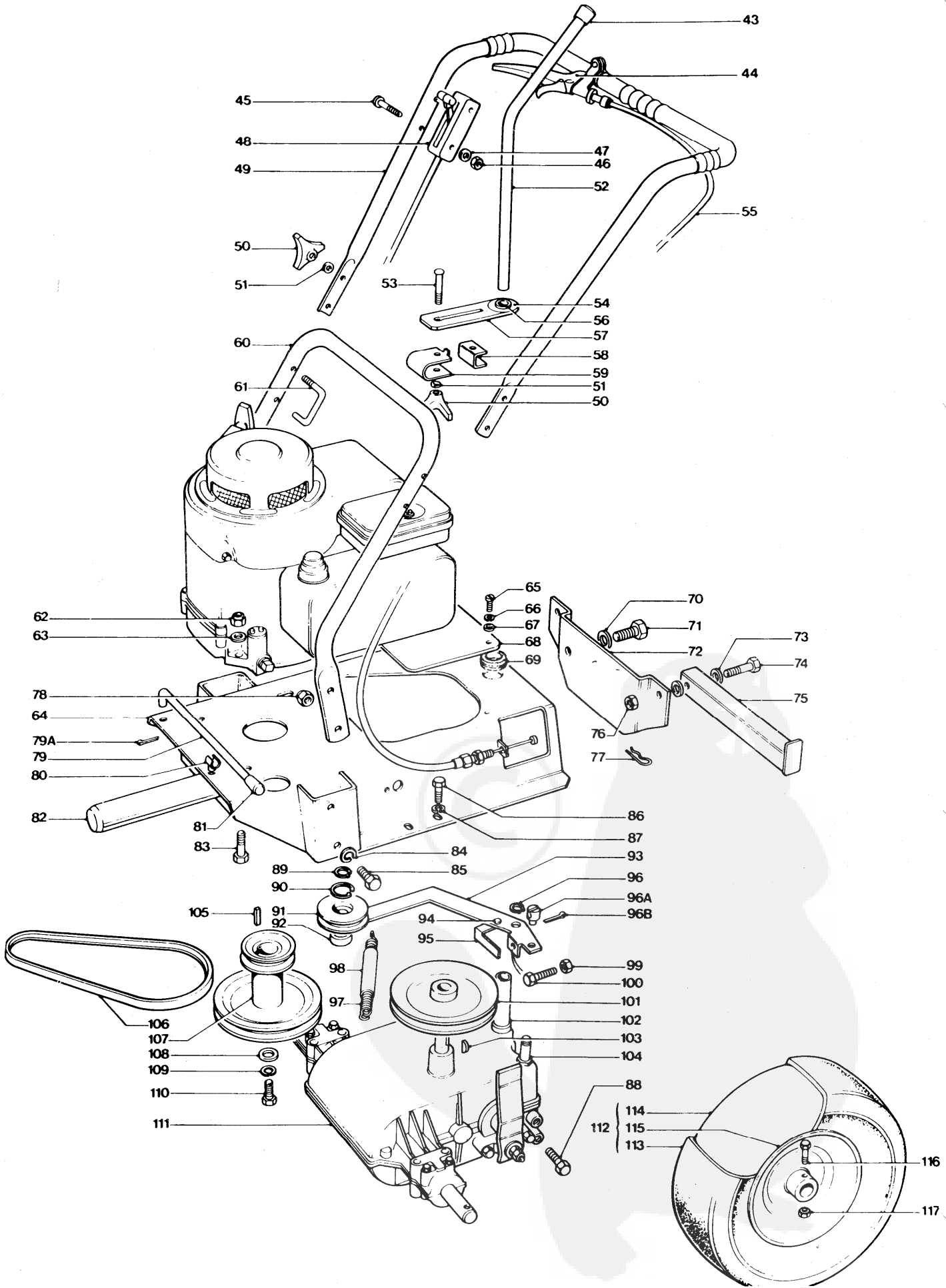


GCL UNITS 9631541 9631525
GCL UNITS 9631512 9631513

KEY No.	PART No.	DESCRIPTION	QUANTITY	COMMENTS/ APPLICATION
1	5146126-00/7	STUD	2	
2	5146128-00/3	WASHER	2	
3	5100023-01/8	COWLING CUTTING UNIT	1	
4	5116629-00/6	LABEL GCL PROFESSIONAL	1	NO LONGER AVAILABLE
5	5141360-01/5	SCREW METRIC	2	
6	5146301-00/6	WASHER SPRING	2	
7	5141361-01/3	WASHER	2	
8	5146032-23/9	PULLEY	2	
9	5147643-00/0	KNOB	1	
10	5136522-00/9	ADJUSTING FORK WELD ASSY	1	
11	5147808-00/9	BELT V	1	CUTTING UNIT
12	5141322-00/7	CIRCLIP	4	
13	5140053-00/9	KEY	2	
14	5141381-01/1	SHAFT	2	
15	5141321-00/9	CIRCLIP	4	
16	5141318-00/5	BEARING	4	
17	5141382-00/1	SPACER BEARING HOUSING	2	
18	5110335-01/4	FRAME CUTTING ASSY	1	
19	5116562-01/7	V BELT CONTROL ASSY	1	
20	5141131-01/0	LOCK NUT M8	8	
21	5146895-00/7	NUT 12MM	3	
22	5141401-01/7	SCREW	2	
23	5147862-00/6	ADJUSTING INSERT ASSY	1	
24	5141398-01/5	SCREW 12MM	1	
25	5126018-01/8	HOOK UPPER	1	
26	5147238-00/9	SPRING CLIP	2	ALT USE 5147238-01/7
27	5141693-01/9	SPRING	1	
28	5147569-00/7	CLEVIS PIN 1/2"X3/4" LNG	2	
29	5120127-00/5	ENGINE BRACKET	1	
29A	5120350-00/3	ENGINE BRACKET	1	
30	5140164-01/2	LOCK NUT M6	16	
31	5140281-04/8	WASHER	10	
32	5147081-00/3	SCREW M8X35 LG	8	
33	5110334-01/7	HOOD 75CM	1	
34	5146535-00/9	LABEL WARNING	1	GB.O/S.
34A	5146487-00/3	LABEL WARNING	1	A.B.F.D.NL.CH.
34B	5146489-00/9	LABEL WARNING	1	DK.N.S.SF.
34C	5146534-00/2	LABEL WARNING	1	I.
35	5140069-01/3	SCREW M6X20 LG CSK	16	
36	5120069-00/9	IMPELLER	1	
37	5146031-00/9	BOSS	1	
38	5140001-00/8	BLADE SPACER	6	
39	5120338-00/8	BLADE 38CM	2	
40	5140154-02/1	BUSH	2	
41	5140027-00/3	WASHER CONICAL	2	
42	5140230-01/1	BLADE BOLT	2	



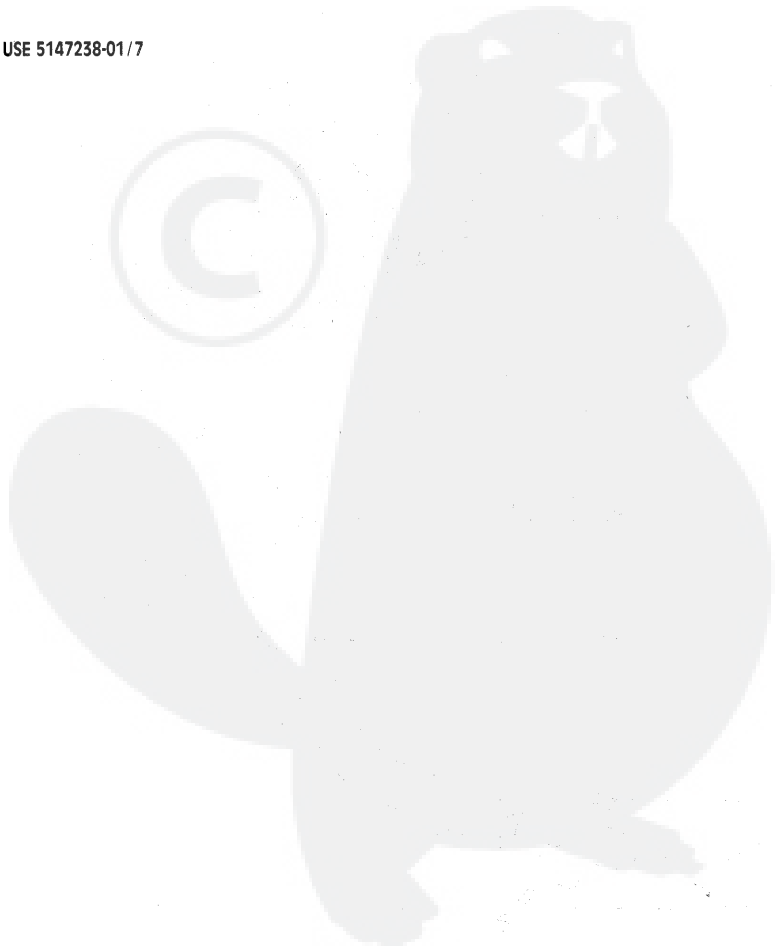
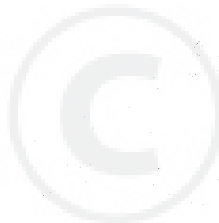
CHASSIS ASSY. 9631525



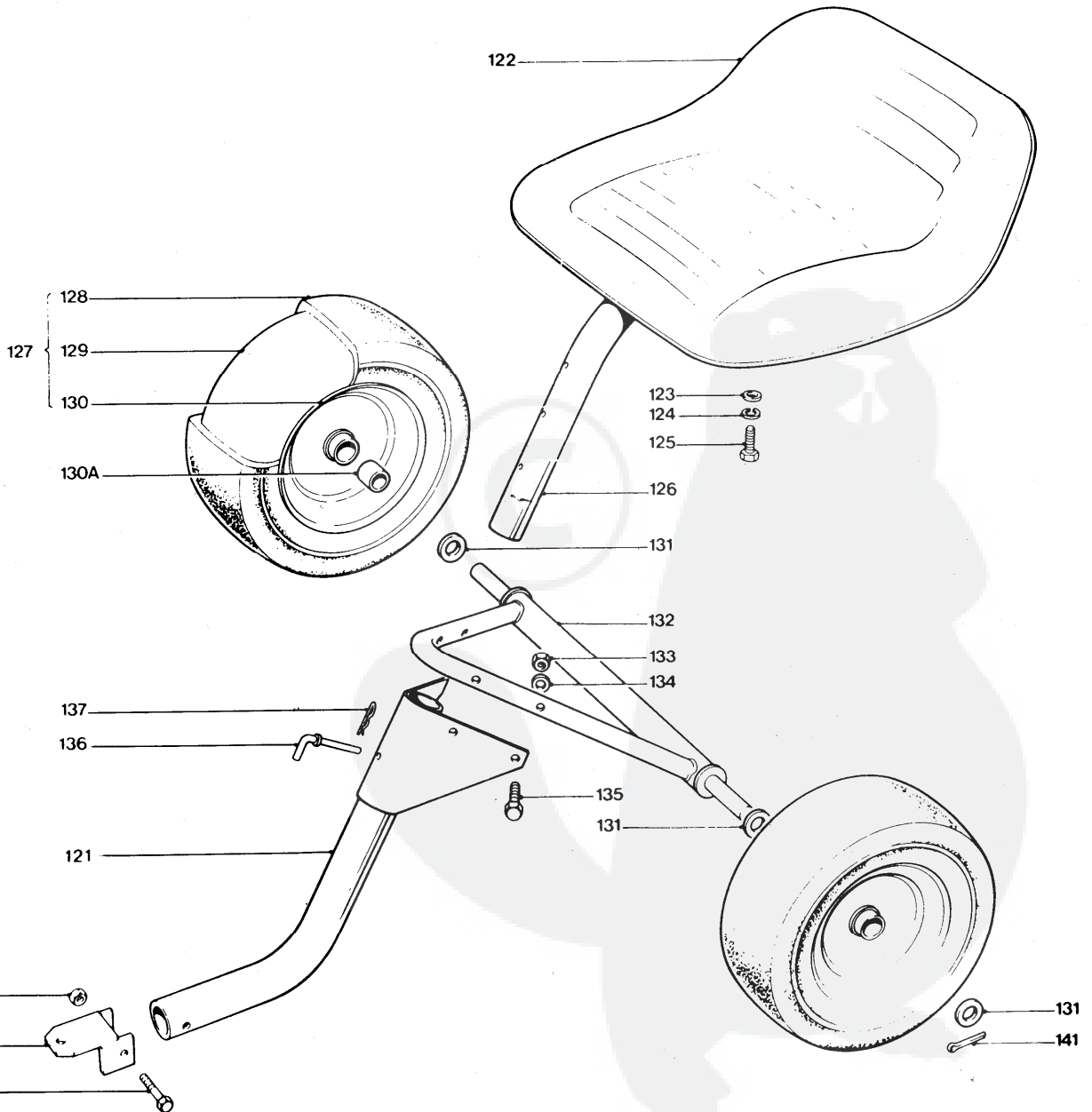
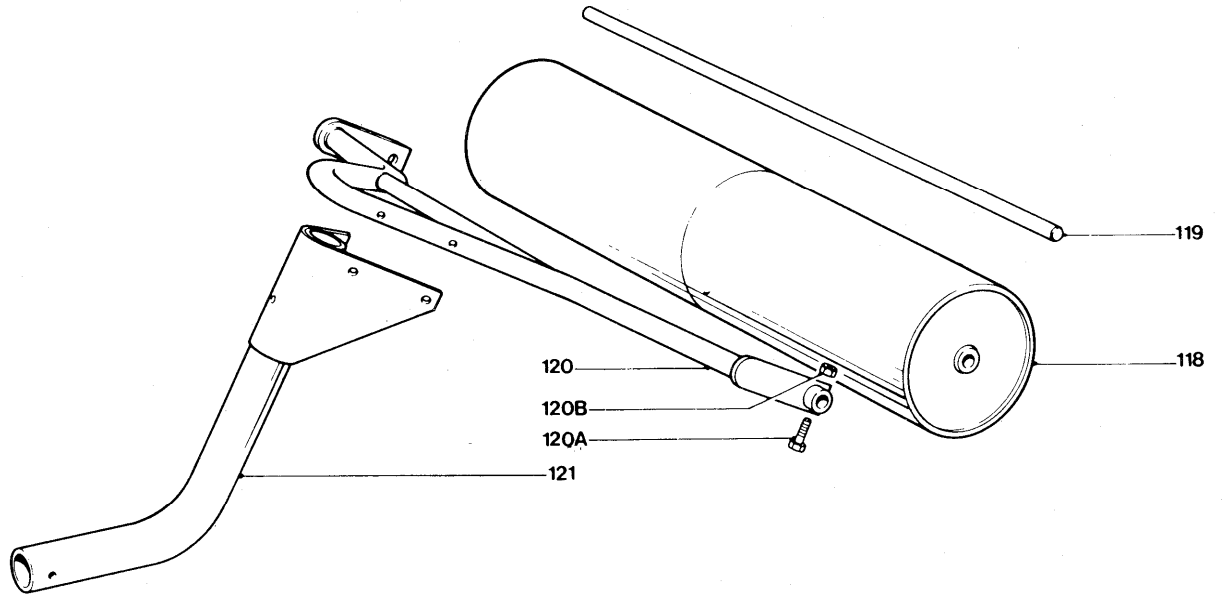


CHASSIS ASSY. 9631525

KEY No.	PART No.	DESCRIPTION	QUANTITY	COMMENTS/ APPLICATION	KEY No.	PART No.	DESCRIPTION	QUANTITY	COMMENTS/ APPLICATION
43	5147616-00/6	KNOB	1		89	5141314-00/4	CIRCLIP	1	
44	5136037-00/8	COUPLING HANDLE	1		90	5141316-00/9	CIRCLIP	1	
45	5141338-02/9	SCREW	2		91	5141315-00/1	PULLEY	1	
46	5140067-01/7	LOCKNUT M5	2		92	5141313-00/6	BEARING	1	
47	5141018-00/1	WASHER	2		93	5126327-00/5	CLUTCH/BRAKE ARM	1	
48	5136578-00/1	THROTTLE CONTROL ASSY	1		94	5147672-00/9	PIVOT PIN	1	
49	5106098-01/4	HANDLE UPPER	1		95	5147671-00/1	BRACKET BRAKE CONTROL	1	
50	5140690-00/8	KNOB WING	3		96	5141314-00/4	CIRCLIP	1	
51	5140266-00/7	WASHER	3		96A	5146190-00/3	CABLE ANCHOR PIN	1	
52	5126324-00/2	GEARSTICK ASSY	1		96B	5140279-01/8	PIN COTTER	1	
53	5146685-00/2	BOLT HANDLE 1/4 UNC X 35LG	1	ALT USE 5146685-01/0	97	5147589-00/5	SPRING	1	
54	5147630-00/7	LABEL GEARSTICK	1		98	5147663-00/8	SLEEVE	1	
55	5146191-00/1	CABLE CLUTCH	1		99	5146933-00/6	NUT M8	1	
56	5147579-00/6	GROMMET	1		100	5147081-00/3	SCREW M8 X 35 LG	1	
57	5147585-01/1	PLATE GEARSTICK	1		101	5136517-01/7	PULLEY ASSY	1	
58	5147571-00/3	CLAMP SUPPORT	1		102	5147580-00/4	GEARSTICK SUPPORT ASSY	1	
59	5136511-00/2	CLAMP GEARSTICK	1		103	5147609-00/1	KEY T/AXLE INPUT SHAFT	1	
60	5116559-00/5	HANDLE LOWER	1		104	5147581-00/2	STUD 3/8" BSW	1	
61	5147542-00/4	J. BOLT	2		104A	5147588-00/7	WASHER	2	
62	5141131-00/2	NUT	4		105	5141323-00/5	KEY	1	
63	5141010-00/8	WASHER	4		106	5147587-01/7	BELT 3V X 300 NOTCHED	1	ENGINE TO GEARBOX
64	5106123-00/2	CHASSIS WELD ASSY	1	NO LONGER AVAILABLE	107	5136512-01/8	PULLEY ASSY	1	
65	5147614-00/1	SCREW 1/4 28 X 16 LG	2		108	5147588-00/7	WASHER	1	
66	5140046-03/7	WASHER SPRING	2		109	5146186-00/1	WASHER	1	
67	5141023-00/1	WASHER	2		110	5147608-00/3	SCREW 3/8" UNF 50 LG	1	
68	5136577-00/3	COVER	1		111	5106100-00/0	TRANSAXLE PEERLESS 800	1	OBTAIN FROM T/MOTOI
69	5147579-01/4	GROMMET	1		112	5126331-00/7	WHEEL COMPLETE ASSY	2	
70	5147749-00/5	WASHER	2		113	5147437-00/7	TYRE	2	
71	5147748-00/7	BOLT	2		114	5147438-00/5	TUBE INNER	2	
72	5126387-00/9	SUPPORT (FOOTREST)	1		115	5136519-00/5	WHEEL RIM	2	
73	5141010-00/8	WASHER	4		116	5147611-02/3	BOLT M8 X 45 LG	2	
74	5147611-03/1	BOLT	2		117	5141131-01/0	LOCK NUT M8	2	
75	5147746-00/1	FOOTREST	2						
76	5141131-01/0	LOCK NUT M8	2						
77	5147238-00/9	SPRING CLIP	1	ALT USE 5147238-01/7					
78	5147698-00/4	NUT RETAINER	4						
79	5136516-00/1	SPRING TENSION ARM ASSY	1						
79A	5140279-01/8	PIN COTTER	1						
80	5147610-00/9	RETAINING CLIP	1						
81	5147644-00/8	KNOB	1						
82	5126329-00/1	HOOK UP ARM ASSY	1						
83	5147611-01/5	BOLT M8 X 60 LG	4						
84	5140046-03/7	WASHER SPRING	4						
85	5140864-00/9	SCREW	4						
86	5147611-01/5	BOLT M8 X 60 LG	4						
87	5141010-00/8	WASHER	4						
88	5147613-00/3	SCREW THREAD FORMING	4						



SULKY UNITS 9631512
9631513





SULKY UNITS 9631512 9631513

KEY No.	PART No.	DESCRIPTION	QUANTITY	COMMENTS/ APPLICATION
118	5116602-00/3	ROLLER REAR	2	
119	5147657-00/0	SHAFT ROLLER	1	
120	5106111-00/7	REAR ROLLER SUPPORT	1	
120A	5147611-02/3	BOLT M8 X 45 LG	2	
120B	5141131-01/0	LOCK NUT M8	2	
121	5116586-00/8	ROLLER/SEAT SUPPORT	1	
122	5126042-00/0	SEAT	1	
123	5141010-00/8	WASHER	4	
124	5140046-03/7	WASHER SPRING	4	
125	5140864-00/9	SCREW	4	
126	5116592-00/6	SEAT SUPPORT	1	
127	5120357-00/8	WHEEL SULKY COMPLETE	2	
128	5136050-00/1	TYRE	2	
129	5126010-00/7	TUBE	2	
130	5147439-00/3	WHEEL RIM	2	
130A	5147440-00/1	BUSH	4	
131	5141445-00/6	WASHER	4	
132	5116587-00/6	SEAT SUPPORT	1	
133	5141131-01/0	LOCK NUT M8	4	
134	5141010-00/8	WASHER	4	
135	5147611-02/3	BOLT M8 X 45 LG	4	
136	5147640-00/6	PIN RETAINING	1	
137	5147238-01/7	SPRING CLIP	1	
138	5147628-00/1	NUT	1	
139	5147637-00/2	HITCH ASSY	1	
140	5147627-00/3	BOLT	1	
141	5141446-00/4	PIN SPLIT	2	

