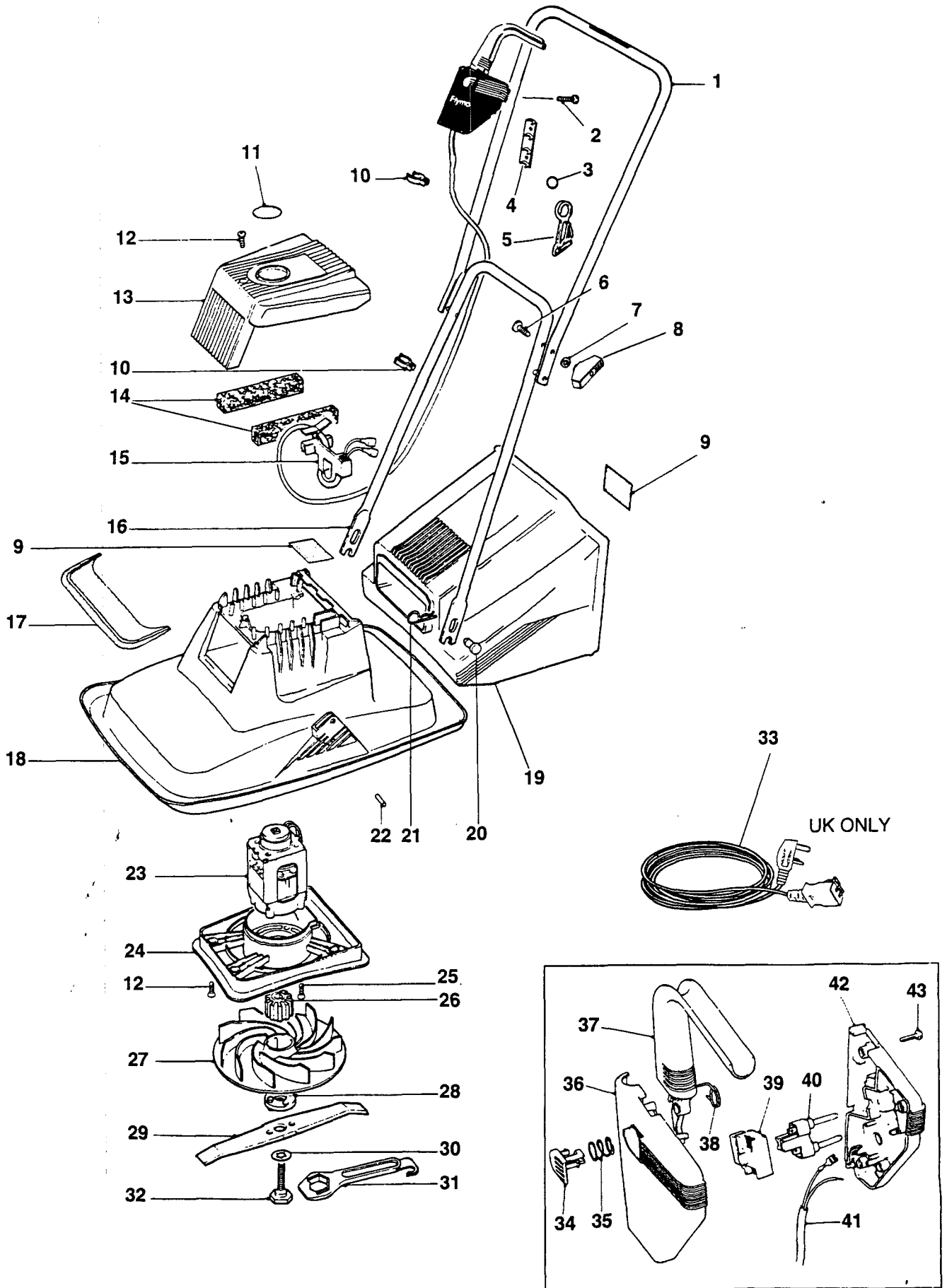


Flymo

MODEL	XE250
PRODUCT NO.	9632561, 9632562, 9632564



Flymo

MODEL	XE250
PRODUCT NO.	9632561, 9632562, 9632564

KEY PART NUMBER	DESCRIPTION	QTY	
01 5126816-21/3	HANDLE/LABEL ASSY	1	GB.EI.
5117667-01/3	HANDLE,UPPER	1	A.B.D.F.NL.I.E.P.N.DK.S.
02 5146672-00/0	SCREW	2	
03 5148886-00/4	SPLIT RING	1	N.DK.S.
04 5117659-01/0	RETAINER,SWITCHBOX	1	GB.EI.
5117657-01/4	RETAINER,SWITCHBOX	1	A.B.D.F.NL.I.E.P.N.DK.S.
05 5138024-00/4	CORD GUIDE	1	A.B.D.F.NL.I.E.P.
5126240-01/8	CORD GUIDE	1	N.DK.S.
06 5148672-00/8	HANDLE BOLT	2	
07 5140266-00/7	WASHER	2	
08 5137679-00/6	WING KNOB	2	
09 5138319-00/8	LABEL,WARNING	1	
10 5137750-00/5	CLIP,CABLE	2	
11 5137855-01/0	LABEL,AUTOSTOP	1	
12 5146736-00/3	SCREW	5	
13 5137695-10/1	COVER ASSEMBLY	1	GB.EI.
5137695-11/9	COVER ASSEMBLY	1	A.B.D.F.NL.I.E.P.N.DK.S.
14 5148267-00/7	FILTER	2	
15 5126741-00/7	CLAMP	1	
16 5117690-01/5	HANDLE,LOWER	1	
17 5126732-01/4	LABEL,FLYMO	1	
18 5126829-00/0	HOOD 25CM	1	
19 5117146-04/2	GRASSBOX ASSEMBLY	1	
20 5140092-03/1	PIVOT PIN	2	
21 5140423-00/4	PIN,RETAINING	2	
22 5147594-00/5	PIN	2	
23 5150005-01/4	MOTOR,240V BRAKED	1	GB.EI. Use with product No: 9632561 ONLY
5150005-02/2	MOTOR,220V BRAKED	1	A.B.D.F.NL.I.E.P.N.DK.S. Use with product No: 9632562 ONLY
5150005-00/6	MOTOR,230V	1	
24 5106491-00/3	MOTOR MOUNTING PLATE	1	
25 5148122-01/2	SCREW	4	
26 5126764-00/9	INSERT,IMPELLER	1	
27 5116967-10/9	IMPELLER	1	
28 5138110-01/9	BLADE SPACER,PEGGED	3	
29 5126535-01/1	BLADE 25CM	1	
30 5148259-00/4	WASHER ANTI FRICTION PTFE	1	
31 5126682-00/3	SPANNER/SCRAPER	1	
32 5137608-00/5	BLADE BOLT C/W PTFE WASHER	1	
33 5127250-03/2	MAINS LEAD	1	GB.EI.
34 5127008-00/0	LOCK OFF	1	
35 5148658-00/7	SPRING-LOCK OFF	1	
36 5106539-01/7	SWITCHBOX UPPER	1	
37 5106481-01/2	LEVER	1	
38 5148657-00/9	SPRING-TORSION	1	
39 5137685-00/3	SWITCH	1	
40 5137686-00/1	PIN RETAINER	1	GB.EI.
5148784-00/1	PIN RETAINER	1	A.B.D.F.NL.I.E.P.N.DK.S.
41 5148814-11/3	LEAD	1	GB.EI.
5148814-14/7	LEAD	1	A.B.D.F.NL.I.E.P.N.DK.S.
42 5106538-00/1	SWITCHBOX LOWER	1	GB.EI.
5106540-00/7	SWITCHBOX LOWER	1	A.B.D.F.NL.I.E.P.N.DK.S.
43 5146672-00/0	SCREW	4	

PRODUCT APPLICATION

9632561-01	GB.EI.	9632564-01	GB.EI.
9632562-81	N.DK.S.	9632564-27	N.DK.S.SF.
9632562-85	A.B.D.F.NL.I.E.P.	9632564-85	A.B.D.F.NL.I.E.P.

WHERE NO APPLICATION DETAILS ARE SHOWN, PART APPLIES TO ALL COUNTRIES

A Austria; AUS Australia; B Belgium; CND Canada; CH Switzerland; D Germany; DK Denmark; E Spain; EI Eire; F France; GB Great Britain; I Italy; N Norway; NL Netherlands; NZ New Zealand; O/S Overseas; P Portugal; S Sweden; SF Finland; USA America; ZA South Africa