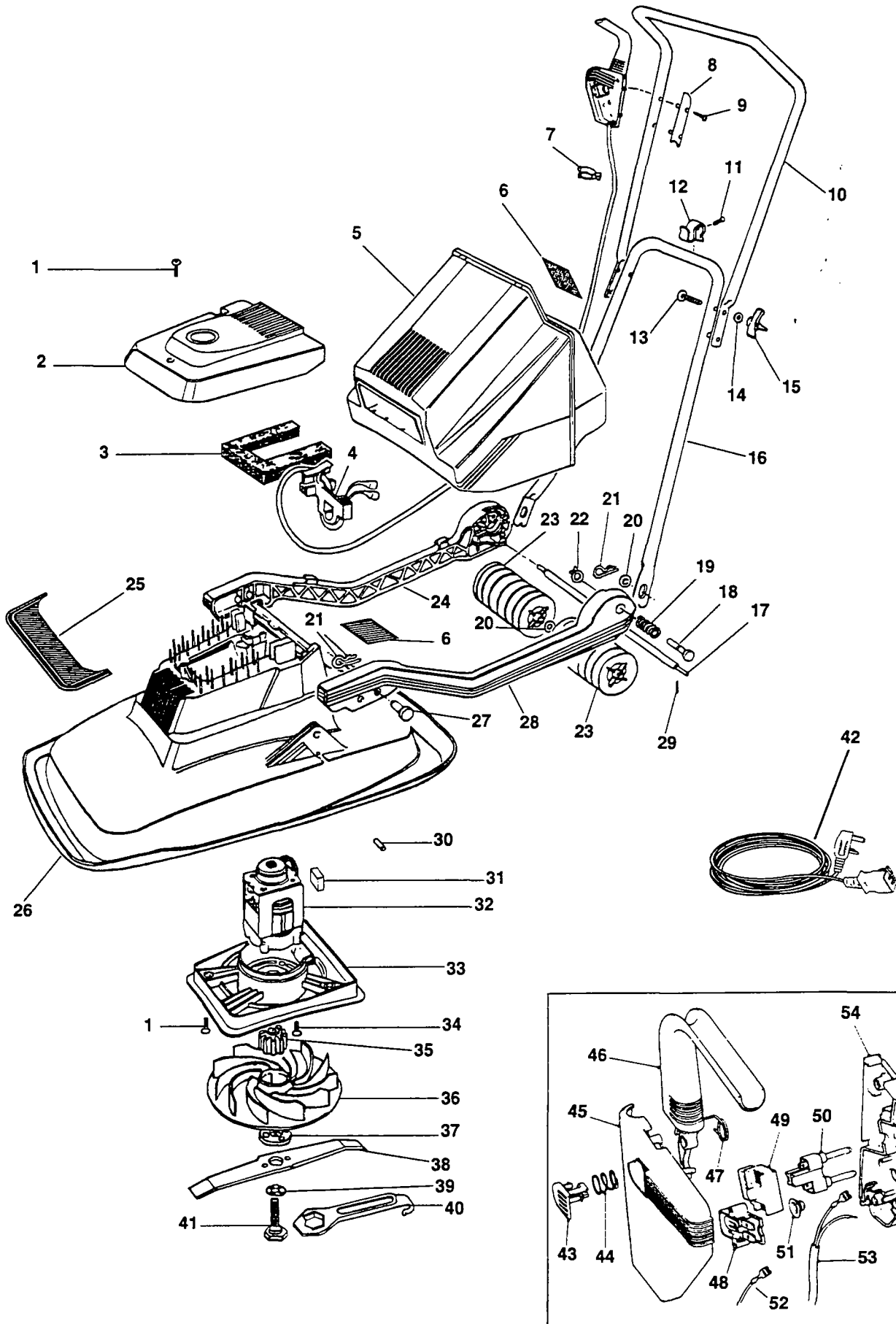


Flymo

MODEL	Hoverstripe RXE 300
PRODUCT NO.	9633052



Flymo

MODEL	Hoverstripe RXE 300
PRODUCT NO.	9633052

KEY	PART NUMBER	DESCRIPTION	QTY
01	5146736-00/3	SCREW	5
02	5126821-11/4	COVER	1
03	5137638-00/2	FILTER	1
04	5126741-00/7	CLAMP PLASTIC	1
05	5117079-07/8	GRASSBOX ASSY	1
06	5146467-00/5	LABEL WARNING ELECTRIC	2
07	5137750-00/5	CLIP CABLE	2
08	5117659-01/0	RETAINER, SWITCHBOX	1
09	5146672-00/0	SCREW	2
10	5126816-21/3	HANDLE/LABEL ASSY	1
11	5146731-00/4	SCREW	1
12	5138111-00/9	CABLE CLIP	1
13	5148672-00/8	HANDLE BOLT	2
14	5140266-00/7	WASHER	2
15	5137679-00/6	WING KNOB	2
16	5117622-68/7	HANDLE, LOWER	1
17	5138102-00/8	SHAFT	1
18	5138103-00/6	PIN	2
19	5137708-00/3	RATCHET SPRING	2
20	5140281-01/4	WASHER	2
21	5140423-00/4	PIN RETAINING	4
22	5148526-00/6	CIRCLIP	2
23	5137975-00/8	ROLLER	2
24	5106492-00/1	ROLLER SUPPORT R/H, PLASTIC	1
25	5126885-01/0	LABEL-FLYMO	1
26	5126819-01/9	HOOD 30CM	1
27	5140092-03/1	PIVOT PIN	2
28	5106493-00/9	ROLLER SUPPORT L/H, PLASTIC	1
29	5148995-00/3	DRIVE PIN	2
30	5147594-00/5	PIN	2
31	0322814-00/5	RECTIFIER	1
32	5150007-01/0	MOTOR - 240V	1
33	5106491-00/3	MOTOR MOUNTING PLATE	1
34	5148122-01/2	SCREW PLASTITE	4
35	5126764-00/9	INSERT, IMPELLER	1
36	5116967-10/9	IMPELLER	1
37	5138110-01/9	BLADE SPACER PEGGED	3
38	5126439-00/8	BLADE 30CM	1
39	5148259-00/4	WASHER ANTI FRICTION PTFE	1
40	5126682-00/3	SPANNER/SCRAPER	1
41	5137608-00/5	BLADE BOLT C/W PTFE WASHER	1
42	5127250-03/2	MAINS LEAD	1
43	5127008-00/0	LOCK OFF	1
44	5148658-00/7	SPRING-LOCK OFF	1
45	5106539-04/7	SWITCHBOX UPPER	1
46	5106481-01/2	LEVER	1
47	5148657-00/9	SPRING-TORSION	1
48	5127255-01/5	THERMAL CUT-OUT	1
49	5137685-00/3	SWITCH	1
50	5137686-00/1	PIN RETAINER	1
51	5149024-00/1	CUT-OUT COVER	1
52	5148773-00/4	LEAD-INTERNAL	1
53	5148814-05/5	LEAD ASSY	1
54	5106538-01/9	SWITCHBOX LOWER	1
55	5146672-00/0	SCREW	4

PRODUCT APPLICATION

9633052-01 GB

WHERE NO APPLICATION DETAILS ARE SHOWN, PART APPLIES TO ALL COUNTRIES

A Austria; AUS Australia; B Belgium; CND Canada; CH Switzerland; D Germany; DK Denmark; E Spain; EI Eire; F France; GB Great Britain; I Italy; N Norway; NL Netherlands; NZ New Zealand; O/S Overseas; P Portugal; S Sweden; SF Finland; USA America; ZA South Africa