

brand **Flymo**

date **12.12.2003** Sheet **1/2**

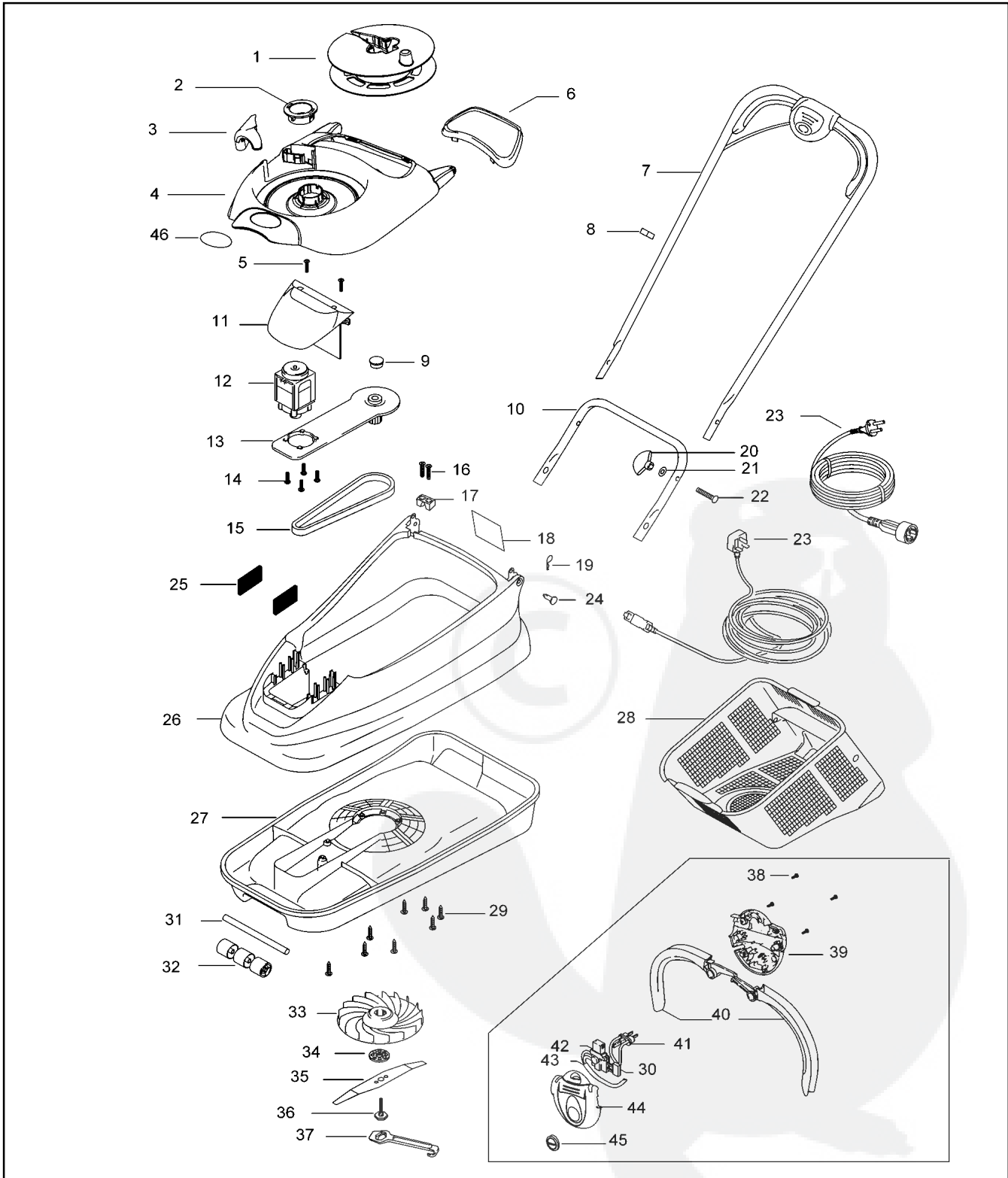
Publication No. **AP0312003**

Model

Vision Compact 330
Vision Compact 330

Product Number

9633306-01 (UK)
9633306-62 (Euro)



brand	Flymo
-------	-------

date	12.12.2003	Sheet 2/2
------	------------	-----------

Vision Compact 330

pos	Part No	Description	Qty	pos	Part No	Description	Qty		
1	5128232-00/5	Spool assy	1						
2	*	5131128-00/0	Bearing moulded	1	34	5138110-01/9	Spacer	1	
3	*	5128223-00/4	Cable guide	1		5138110-81/1	Spacer pre pack double	1	
4		5107144-00/7	Lid assy	1					
		includes * items		35		5118357-00/2	Blade	1	
		5107144-87/4	Lid assy	1		5118357-80/4	Blade pre pack	1	
		includes * items and items # 1 & 23		36		5137608-00/5	Blade bolt	1	
5		5149177-00/3	Screw	2	37	5127933-00/9	Spanner	1	
6	*	5119440-00/5	Viewer	1	38	5130873-00/2	Screw	4	
7		5128121-00/0	Handle upper	1	39	UK	5119457-67/8	Switchbox lower	1
8		5138574-00/8	Cable clip	1		Eu	5119458-68/4	Switchbox lower	1
9		5149655-00/2	Cover	1	40		5130896-00/3	Levers, pair	1
10		5127353-00/0	Handle lower	1	41	UK	5127696-00/2	Pin retainer	1
11		5106922-00/7	Cover, motor	1		Eu	5131117-00/3	Pin retainer	1
12		5117899-56/6	Motor	1	42		5130504-00/3	Switch	1
13		5139522-00/6	Baseplate assy	1	43		5148814-55/0	Lead, internal	1
14		5131191-00/8	Screw	4	44		5119456-68/8	Switchbox upper	1
15		5130503-00/5	Belt	1	45		5131030-64/4	Button, lock off	1
16		5149117-00/3	Screw	2	46	*	5131139-00/7	Badge	1
17		5126827-01/2	Cable clamp	1					
18		5138587-00/0	Label, warning	1					
19		5140423-00/4	Clip	2					
20		5107091-64/6	Wing knob	2					
21		5140266-00/7	Washer	2					
22		5149198-01/1	Bolt	2					
23	UK	5127250-03/2	Cable	1					
	Eu	5127575-02/4	Cable	1					
24		5140092-03/1	Locking pin	2					
25		5138339-00/6	Filter	2					
26		5119110-00/4	Casing	1					
27		5106986-00/2	Hood	1					
28		5128106-00/1	Grassbox	1					
29		5131191-00/8	Screw	8					
30		5148397-01/0	Capacitor	1					
31		5149611-00/5	Roller axle	1					
32		5127918-00/0	Roller x3 kit	1					
33		5117227-04/0	Impeller	1					