



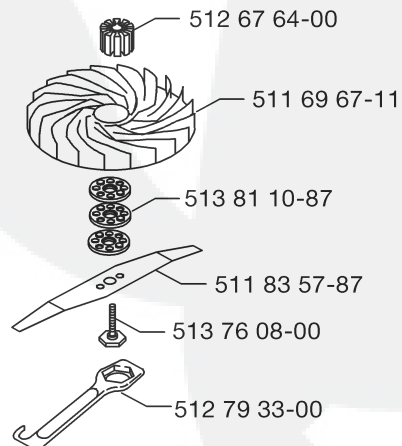
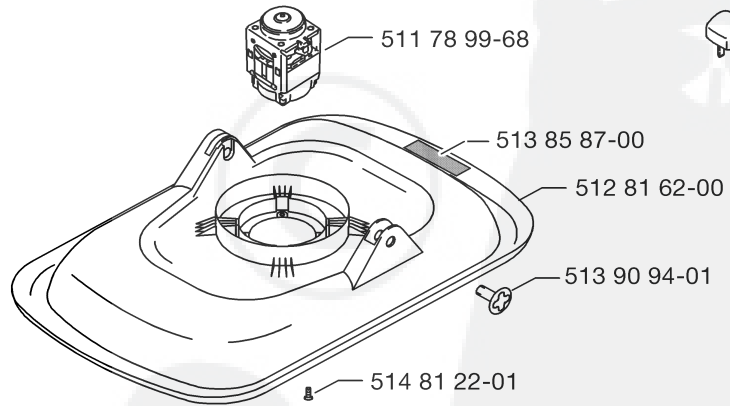
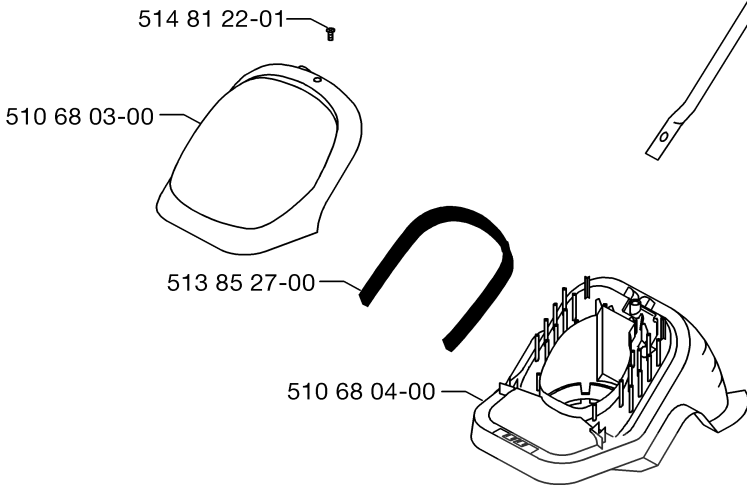
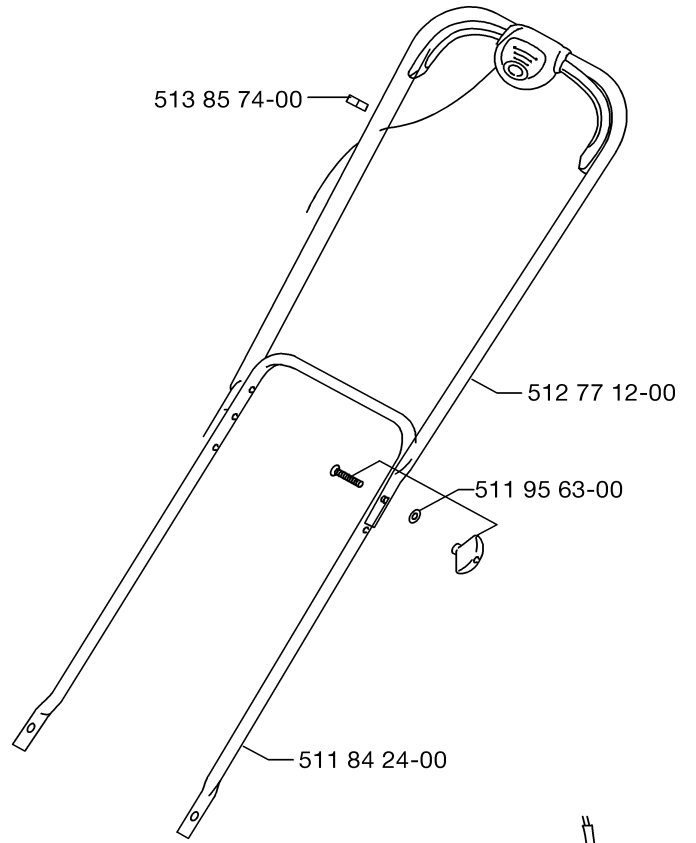
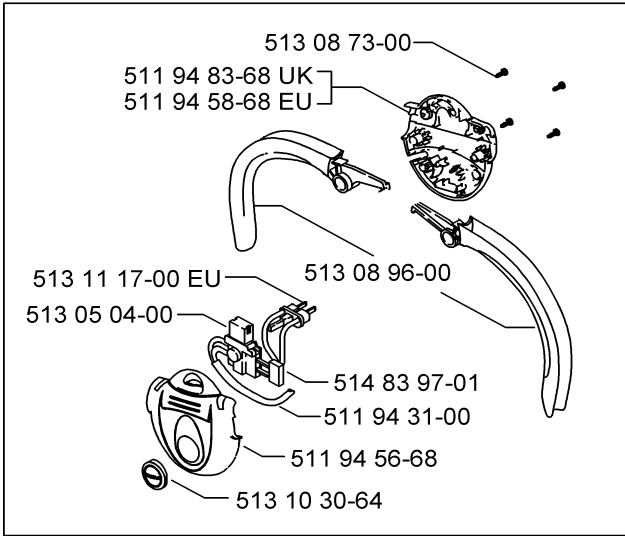
IPL, Turbo Lite 330, 9633308-01, 9633308-62, 2006-01

Turbo Lite 330



Factory:
Product Group:
Sub Group:
Publication Date:
Publication Number:

FLM - Newton Aycliffe
OM 78
Electric Hover: 7890
06/01/06
AP0601002



Part Number	Description	Qty	Note
510 68 03-00	COWL UPPER	1	
510 68 04-00	COWL LOWER	1	
511 69 67-11	IMPELLER	1	
511 78 99-68	MOTOR AMETEK BRAKED	1	
511 83 57-87	BLADE 33CM	1	
511 84 24-00	HANDLE LOWER E330	1	
511 94 31-00	LEAD ASSY	1	Square
511 94 56-68	SWITCHBOX UPPER GREY	1	
511 94 58-68	SWITCHBOX LOWER EU INLET GREY	1	EU
511 94 83-68	SWITCHBOX LOWER GREY	1	UK
511 95 63-00	HANDLE FIXING KIT	1	
512 67 64-00	INSERT (IMPELLER)	1	
512 72 51-10	CABLE EXT AND PLUG	1	
512 77 12-00	HANDLE UPPER COATED	1	
512 79 33-00	ABS SPANNER (PLASTIC)	1	
512 81 62-00	HOOD PRINTED	1	
513 05 04-00	SWITCH 8A 250V	1	
513 08 73-00	SCREW NO6X19 POLYMATE PAN/HD	4	
513 08 96-00	SWITCHBOX LEVERS KIT	1	
513 10 30-64	BUTTON LOCK-OFF ORANGE	1	
513 11 17-00	PIN RETAINER EURO	1	EU
513 76 08-00	BLADE BOLT ASSEMBLY	1	
513 81 10-87	BLADE SPACER	3	
513 85 27-00	FILTER FOAM	1	
513 85 74-00	CABLE CLIP	2	
513 85 87-00	LABEL:WARNING (ELECTRIC)	1	
513 90 94-01	PIN PIVOT	2	
514 81 22-01	SCREW PLASTITE NO.10X19MM LG	5	
514 83 97-01	CAPACITOR PWR.HOE/MULTI TRIM	1	

