

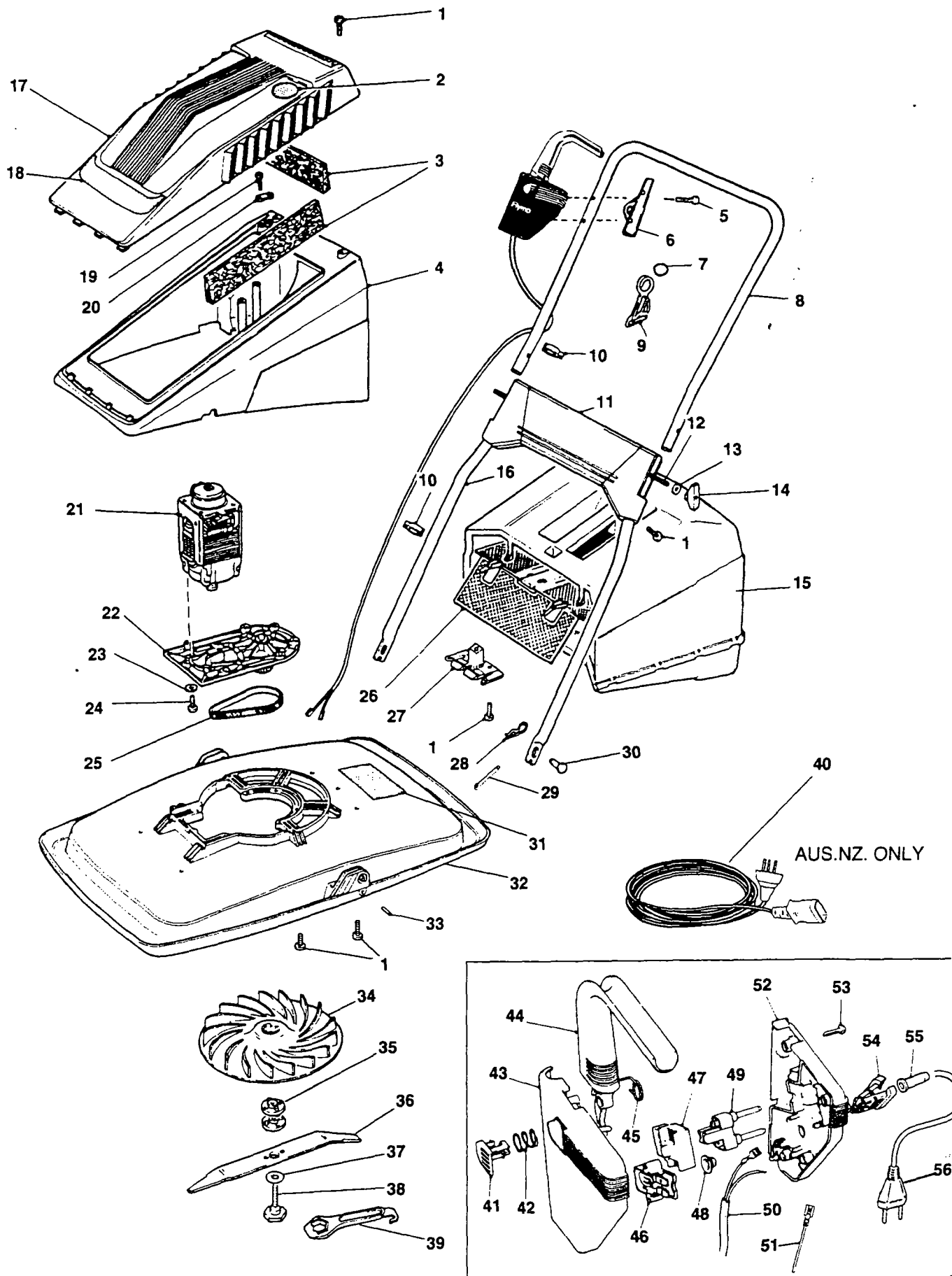
Flymo

MODEL

XE400

PRODUCT NO.

9634022, 9634023, 9634024



Flymo

MODEL	XE400
PRODUCT NO.	9634022, 9634023, 9634024

KEY	PART NUMBER	DESCRIPTION	QTY	KEY	PART NUMBER	DESCRIPTION	QTY
01	5148649-01/4	SCREW	21	50	5148814-18/8	LEAD	1 A.B.D.NL.F.I.E.P.
02	5137855-01/0	LABEL.AUTOSTOP	1				N.DK.S.SF.
03	5138096-00/2	FILTER	3		5148814-20/4	LEAD	1 AUS.NZ.CH.
04	5106375-68/5	COWL LOWER	1	51	5148773-00/4	INTERNAL LEAD	1
05	5146672-00/0	SCREW	2	52	5106540-01/5	SWITCHBOX LOWER	1 A.B.D.NL.F.I.E.P.
06	5117657-01/4	RETAINER, SWITCHBOX	1				N.DK.S.SF.
07	5148886-00/4	SPLIT RING	1 CH.N.DK.S.SF.		5106538-01/9	SWITCHBOX LOWER	1 AUS.NZ.CH.
08	5117402-01/5	HANDLE.UPPER	1	53	5146672-00/0	SCREW	4
09	5138024-00/4	CORD GUIDE	1 A.B.D.NL.F.I.E.P.	54	5117528-00/9	CABLE RETAINER	1 AUS.NZ.CH.
	5126240-01/8	CORD GUIDE	1 CH.N.DK.S.SF.	55	5148741-00/1	PROTECTION SLEEVE	1 AUS.NZ.CH.
10	5137750-00/5	CLIP CABLE	2	56	5148280-04/2	CONNECTING LEAD	1 AUS.NZ.
11	5106435-00/0	CONSOLE	1		5147000-02/7	CONNECTING LEAD	1 CH.
12	5148859-00/1	BOLT,SQUARE HEAD	2				
13	5140266-00/7	WASHER	2				
14	5137679-00/6	KNOB WING	2				
15	5137966-01/5	GRASSBOX	1				
16	5117863-01/8	HANDLE.LOWER	1				
17	5117343-01/1	COWL-UPPER	1				
18	5126732-01/4	LABEL.FLYMO	1				
19	5146941-00/9	SCREW	2				
20	5140705-00/4	CABLE CLAMP	1				
21	5150010-02/2	MOTOR 220V	1 A.B.D.NL.F.I.E.P.				
							N.DK.S.SF.CH. — Use on Product No: 9634023 ONLY
	5150010-01/4	MOTOR 240V	1 AUS.NZ.				———— Use on Product No: 9634022 ONLY
	5150010-00/6	MOTOR 230V	1 A.B.D.NL.F.I.E.P.				N.DK.S.SF.CH.
22	5137968-00/3	BASEPLATE/PULLEY ASSY	1				
23	5140943-00/1	WASHER	4				
24	5148696-03/1	MOTOR SCREW	4				
25	5137872-00/7	DRIVE BELT	1				
26	5106571-00/2	SCREEN.GRASSBOX	1				
27	5126989-00/2	GRASSBOX CLIP	1				
28	5140423-00/4	PIN RETAINING	2				
29	5141424-01/9	SPLIT PIN	1 AUS.NZ.				
30	5140092-03/1	PIVOT PIN	2				
31	5138319-00/8	LABEL,WARNING	1				
32	5137890-00/9	HOOD 40CM	1				
33	5147594-00/5	PIN	2				
34	5117227-01/6	IMPELLER	1				
35	5138110-01/9	BLADE SPACER PEGGED	3				
36	5126995-00/9	BLADE 40CM	1				
37	5148259-00/4	WASHER ANTI FRICTION PTFE	1				
38	5137608-00/5	BLADE BOLT C/W PTFE WASHER	1				
39	5126682-00/3	SPANNER/SCRAPER	1				
40	5126968-00/6	EXTENSION CABLE	1 AUS.NZ.				
41	5127008-00/0	LOCK OFF	1				
42	5148658-00/7	SPRING-LOCK OFF	1				
43	5106539-01/7	SWITCHBOX UPPER	1				
44	5106481-01/2	LEVER	1				
45	5148657-00/9	SPRING-TORSION	1				
46	5127255-00/7	THERMAL CUT-OUT	1				
47	5137786-00/9	SWITCH	1				
48	5149024-00/1	CUT-OUT COVER	1				
49	5148784-00/1	PIN RETAINER ASSY	1 A.B.D.NL.F.I.E.P.				
							N.DK.S.

PRODUCT APPLICATION

9634022-99	AUS.NZ.	9634023-81	N.DK.S.	9634024-27	N.DK.S.SF.
9634023-20	A.B.D.NL.F.	9634023-85	A.B.D.NL.F.I.E.P.	9634024-85	A.B.D.NL.F.I.E.P.
9634023-22	CH.	9634024-01	GB.EI.		
9634023-27	N.DK.S.SF.	9634024-22	CH.		

WHERE NO APPLICATION DETAILS ARE SHOWN, PART APPLIES TO ALL COUNTRIES

A Austria; AUS Australia; B Belgium; CND Canada; CH Switzerland; D Germany; DK Denmark; E Spain; EI Eire; F France; GB Great Britain; I Italy; N Norway; NL Netherlands; NZ New Zealand; O/S Overseas; P Portugal; S Sweden; SF Finland; USA America; ZA South Africa