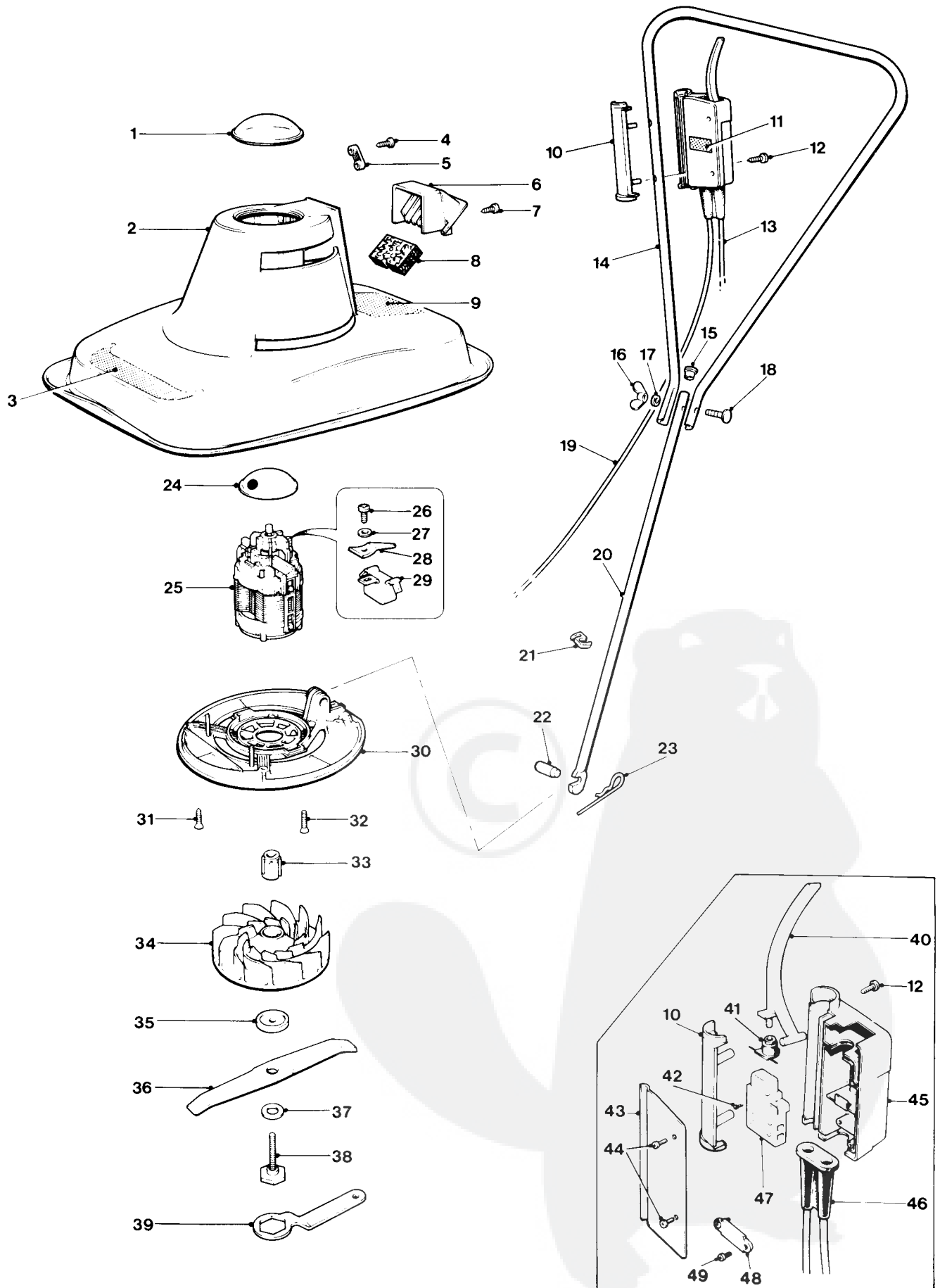




E-MINIMO 9635025 9635027 9635035
E-BASIC 9635026





E-MINIMO 9635025 9635027 9635035

E-BASIC 9635026

KEY No.	PART No.	DESCRIPTION	QUANTITY	COMMENTS/ APPLICATION	KEY No.	PART No.	DESCRIPTION	QUANTITY	COMMENTS/ APPLICATION
1	5126120-02/0	LENS	1		30	5106045-00/7	MOTOR MOUNTING BRACKET	1	
2	5116357-00/4	HOOD	1		31	5146736-00/3	SCREW HIGH/LOW	4	
3	5116282-00/4	LABEL FLYMO	1	NLA USE 5136725-00/8	32	5146866-00/8	SCREW M5 x 16LG CSK	4	
	5116443-00/2	LABEL FLYMO	1		33	5136297-00/8	INSERT	1	
	5126275-00/6	LABEL 'E'	1		34	5116283-00/2	IMPELLER	1	
	5126352-00/3	LABEL E MINIMO	1		35	5136240-01/6	BLADE SPACER	3	
4	5146941-00/9	SCREW HI-LO	2		36	5126179-00/0	BLADE 25CM	1	
5	5140705-00/4	CABLE CLAMP	1		37	5140516-00/5	ANTI FRICTION WASHER	1	
6	5116330-00/1	FILTER SHROUD	1	ALT USE 5116330-02/7	38	5136242-01/2	BLADE BOLT	1	
	5116330-02/7	FILTER SHROUD ***	1		39	5130127-00/3	SPANNER	1	
7	5146941-00/9	SCREW HI-LO	1		40	5136182-01/0	LEVER SWITCH	1	
8	5146738-00/9	FILTER	1		41	5130406-01/9	SEAL CONE	1	
9	5146467-00/5	LABEL WARNING	1	GB.O/S.E.P.EI.ZA.	42	5141605-00/5	SCREW	4	
	5136507-00/0	LABEL WARNING	1	D.CH.A.	43	5116210-00/5	SWITCHBOX COVER*	1	
	5136364-00/6	LABEL WARNING	1	N.		5116495-00/2	SWITCHBOX COVER	1	
	5146466-00/7	LABEL WARNING	1	N.DK.	44	5146672-00/0	SCREW GKN POLYMATE No 6	2	
	5136361-00/2	LABEL WARNING	1	SF.	45	5116346-05/6	SWITCHBOX BODY 16mm*	1	ALT USE 5116346-06/4
	5146464-00/2	LABEL WARNING	1	F.B.NL.CH.		5116494-01/3	SWITCHBOX BODY 16mm**	1	
	5146486-00/5	LABEL WARNING	1	I.		5116494-03/9	SWITCHBOX BODY 16mm***	1	
	5146504-00/5	LABEL WARNING	1	S.	46	5141584-02/8	SLEEVE	1	
	5136507-00/0	LABEL WARNING	1	D.CH.A.	47	5146743-00/9	SWITCH ON/OFF*	1	
10	5126167-00/5	SWITCHBOX RETAINER 16mm	1			5146975-00/7	SWITCH ON/OFF**	1	
	5126290-00/5	SWITCHBOX RETAINER 16mm***	1			5136674-01/6	SWITCH ON/OFF LOCK OFF***	1	KOPP 2412.04/2412.13
					48	5146616-00/7	CLAMP CABLE	1	
11	5147942-00/6	LABEL SWITCHBOX LOCK OFF***	1	GB.	49	5146672-00/0	SCREW GKN POLYMATE No 6	2	
12	5146672-00/0	SCREW GKN POLYMATE No 6	2						
13	5147001-07/6	LEAD TERMINAL 15.24M*	1	GB.O/S.E.P.					
	5146361-02/6	LEAD TERMINAL C/W PLUG	1	D.					
	5147001-16/7	LEAD TERMINAL*	1	E-BASIC ONLY					
	5136621-00/9	LEAD TERMINAL C/W PLUG***	1	GB.					
14	5126235-01/8	HANDLE UPPER	1						
	5136580-01/5	HANDLE UPPER	1	D.					
15	5146742-00/1	CAP	1						
16	5146684-00/5	WING NUT	1						
17	5140266-00/7	WASHER	1						
18	5146685-00/2	BOLT HANDLE 1/4UNC x 35LG	1						
19	5147001-08/4	LEAD INTERNAL	1	GB.F.B.NL.N.DK.I.					
	5147001-34/0	LEAD INTERNAL***	1	GB.					
20	5126178-00/2	HANDLE LOWER	1						
21	5140482-00/0	CABLE CLIP SMALL	2						
22	5146872-00/6	HINGE PIN	1						
23	5146877-00/5	CLIP RETAINING SPRING	1						
24	5136241-01/4	DISC WARNING ASSY	1						
25	5126534-01/4	MOTOR 240 VOLT	1						
	5126534-02/2	MOTOR 220 VOLT	1						
26	7241293-61/7	SCREW THREAD FORMING	1						
27	7352136-51/4	LOCKWASHER	1						
28	113721-00/5	CLIP	1						
29	113030-01/9	SUPPRESSOR 0.15 MF	1						

* Compatible parts fitted to early manufactured models 9635025, 9635026, 9635027.

** Compatible parts fitted to early manufactured models 9635025, 9635026, 9635027.

*** Compatible parts fitted to models 9635035.

PRODUCT VARIANT

9635025-01	GB.	9635025-08	B.F.NL.	9635025-22	CH.	9635027-25	GB.
9635025-03	A.	9635025-09	D.	9635025-51	GB.	9635027-26	GB.
9635025-06	DK.N.	9635025-11	I.E.P.	9635026-01	GB.	9635035-25	GB.
9635025-07	SF.	9635025-16	OSS/IE.			9635035-37	GB.

When no application details are shown the part applies to all countries.