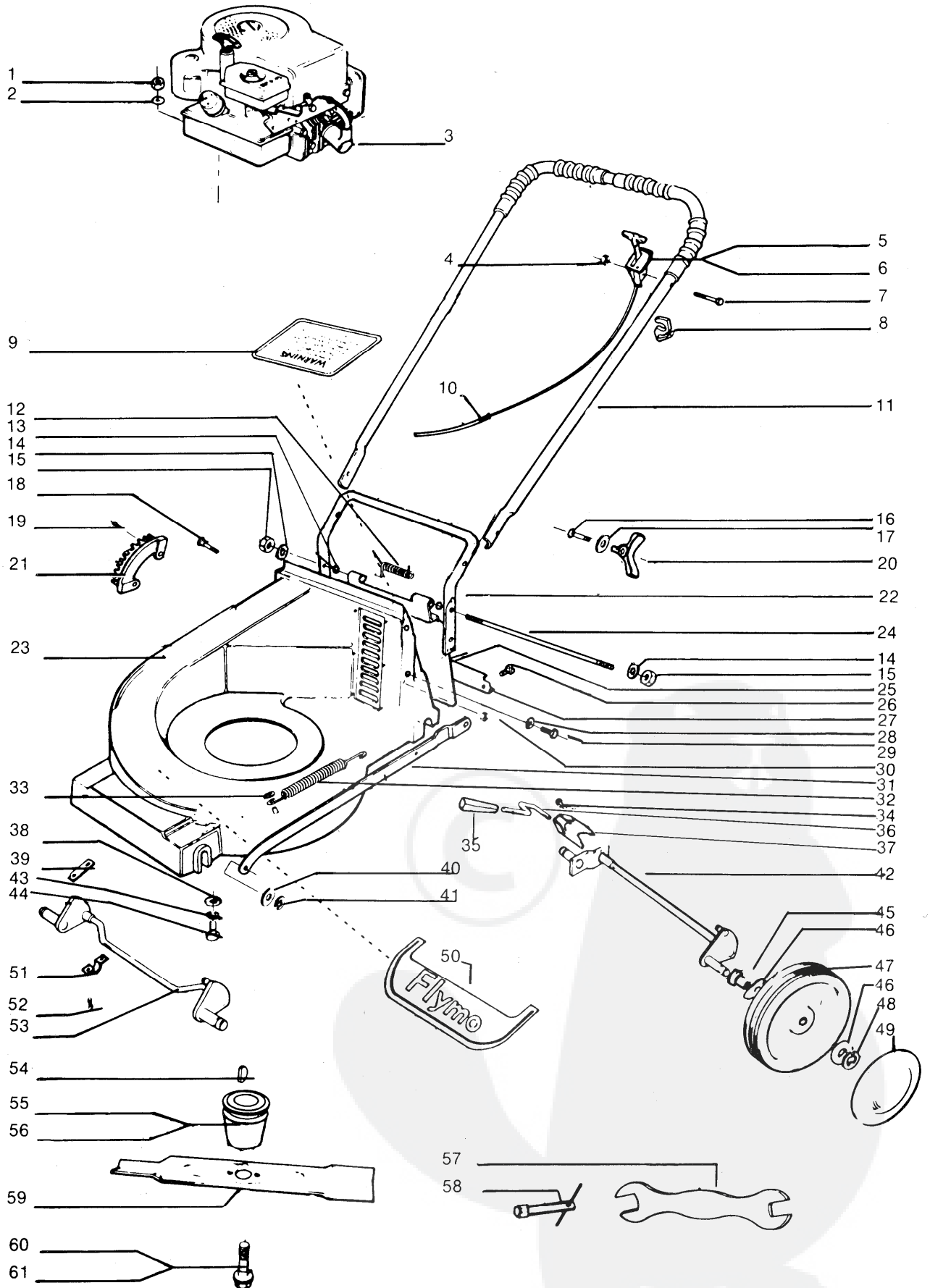




**DXL-02 9641130**  
**DXL-5 9641131**




**DXL-02 9641130**  
**DXL-5 9641131**

KEY No.	PART No.	DESCRIPTION	QUANTITY	COMMENTS/ APPLICATION	KEY No.	PART No.	DESCRIPTION	QUANTITY	COMMENTS/ APPLICATION
1	5140837-00/5	NUT NYLOC 5/16 UNC	3		44	5140045-10/4	SCREW	3	
2	5140091-00/9	WASHER	3		45	5136390-00/1	BEARING	8	
3	5140380-00/6	CAP SUPPRESSOR	1		46	5140281-01/4	WASHER	8	
4	5140164-00/4	NUT LOCKING	1		47	5146494-00/9	WHEEL	4	
5	5130480-00/6	CONTROL THROTTLE	1	DXL-02 3.5 HP	48	5141755-00/8	RING RETAINER	4	
6	5136417-00/2	CONTROL THROTTLE	1	DXL-5 5HP	49	5126176-00/6	DISC WHEEL	4	
7	5140045-06/2	SCREW 1/4 UNC	1		50	5126213-00/7	LABEL	1	
8	5140863-01/9	CABLE CLIP LARGE	2		51	5146304-02/6	BRACKET	2	
9	5146485-00/7	LABEL WARNING	1	GB	52	5141725-02/7	SCREW TAPTITE	4	
	5146489-00/9	LABEL WARNING	1	DK.N.S.SF.	53	5126051-01/9	AXLE FRONT	1	
	5146487-00/3	LABEL WARNING	1	A.B.F.D.NL.CH.	54	5140053-00/9	KEY	1	
	5146488-00/1	LABEL WARNING	1	F.D.NL.CH.B.A.N.	55	5136337-00/2	PULLEY ENGINE	1	DXL-02 3.5 HP
	5146534-00/2	LABEL WARNING	1	I.	56	5136362-00/0	PULLEY ENGINE	1	DXL-5 HP
	5146535-00/9	LABEL WARNING	1	GB.O/S.	57	5136442-00/0	SPANNER	1	
10	5146364-00/4	SLEEVE	1		58	5146392-02/1	SPANNER PLUG	1	NO LONGER AVAILABLE
11	5147545-00/7	HANDLE UPPER	1		59	5116066-00/1	BLADE 45 CM	1	
12	5136087-00/3	SPRING SAFETY FLAP	1		60	5146677-06/6	BOLT BLADE 37MM LONG	1	DXL-02 3.5 HP
13	5146385-00/9	RING	2		61	5146677-01/7	BOLT BLADE 61.5MM LONG	1	DXL-5 5HP
14	5140588-00/4	WASHER	2						
15	5141131-00/2	NUT	2						
16	5140607-00/2	BOLT HANDLE 1/4 UNCX45LG	2						
17	5140281-03/0	WASHER	2						
18	5141771-00/5	SCREW	1						
19	5146538-00/3	RIVET	2						
20	5140690-00/8	KNOB WING	2						
21	5120414-01/5	BRACKET WHEEL ADJUST	1						
22	5116313-03/1	HANDLE LOWER	1						
23	5116320-00/2	CHASSIS	1						
24	5136075-01/6	TIE BAR	1						
25	5116314-02/1	FLAP SAFETY	1						
26	5141725-02/7	SCREW TAPTITE	3						
27	5130466-02/1	GUARD REAR AXLE UNPAINTED	1						
28	5140281-03/0	WASHER	2						
29	5141407-00/6	BOLT	2						
30	5140164-00/4	NUT LOCKING	2						
31	5120391-01/5	ADJUSTER LINK HOC	1						
32	5141693-00/1	SPRING	1						
33	5141728-02/1	LOCKNUT PUSH ON 3/8"	1						
34	5141729-02/9	RIVET	3						
35	5130448-00/3	KNOB HANDLE GRIP	1						
36	5136178-01/8	HANDLE ADJUSTING	1						
37	5126109-00/7	HANDLE ADJ LOWER	1						
38	5140091-00/9	WASHER	3						
39	5146303-02/8	BRACKET RETAINING AXLE	4						
40	5140980-00/3	WASHER I/D 0.390" x O/D 3/4"	2						
41	5141727-00/7	RETAINING RING 3/8"	2						
42	5126050-01/1	AXLE REAR	1						
43	5140837-00/5	NUT NYLOC 5/16 UNC.	8						

**PRODUCT VARIANT**

 9641130-01 GB  
 9641130-06 DK.SF.N

 9641130-09 F.D.NL.CH.B.A.  
 9641130-11 I.P.E.

 9641130-17 O/S.  
 9641131-01 PKD. GB.

 9641131-11 I.P.E.  
 9641131-17 O/S.

Where no application details are shown the part applies to all countries.