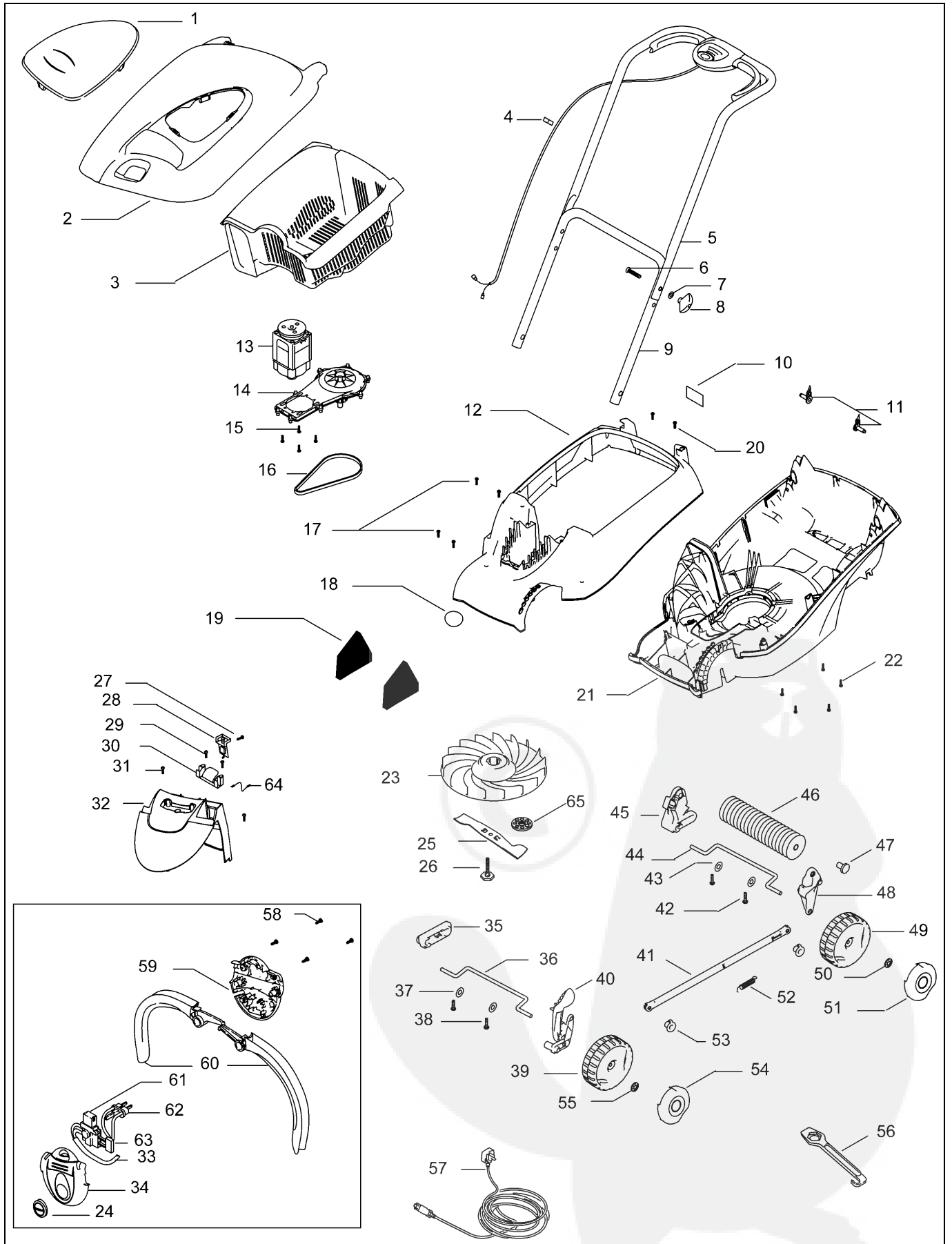


PNC	Type/Prefix/nd	Model	Market
964340301	1	Flymo Roller Compact 340	UK
964340362	1	Flymo Roller Compact 340	Euro

Number of Pages 1 of 3

Factory: FLM - Aycliffe		Product Group: OM 78
Publication Number:	AP0408002	Electric Wheeled
Publication Date:	19/08/04	Sub Group: 7891



Page No. 3 of 3	964340301 / 964340362	Flymo Roller Comact 340
OM	Electric Wheeled	Newton Aycliffe

Item	Part Number	Description	Qty	Item	Part Number	Description	Qty
1	511952000	Vision Window	1	36	512823500	Axle	1
2	511961500	Lid Assembly	1	37	513918900	Washer	2
3	510715000	Grassbox	1	38	514975301	Screw	2
4	513857400	Cable Clip	2	39	512820100	Wheel	2
5	511830300	Handle Upper	1	40	512820000	Height Adjuster Assy	1
6	514919801	Bolt	2	41	512818200	Link Rod	1
7	514026600	Washer	2	42	514975301	Screw	2
8	512815564	Wing Knob	2	43	513918900	Washer	2
9	511830400	Handle Lower	1	44	512823500	Axle	1
10	513858700	Label Warning	1	45	512820500	Spacer Rear Right	1
11	513068000	Handle Fixing	1	46	512823600	Roller	1
12	510714900	Deck Upper	1	47	513078900	Roller Pin	2
13	511973800	Motor	1	48	512820300	Spacer Rear left	1
14	511959500	Drive Assy	1	49	512820700	Wheel	2
15	513119100	Screw	4	50	514968000	Starlock Washer	2
16	513107300	Belt	1	51	512820700	Hub Cap	2
17	513087300	Screw	4	52	513109000	Spring	1
18	513113900	Badge	1	53	513109100	Pin	1
19	513109200	Filter	2	54	512820200	Hub Cap	2
20	514975301	Screw	2	55	514968000	Starlock Washer	2
21	510714800	Deck Lower	1	56	512793300	Spanner	1
22	513960800	Screw	5	57	512725004	Cable	1
23	511948100	Impeller	1	58	513087300	Screw	4
24	513103064	Button Lock Off	1	59	511945768	Switchbox Lower UK	1
25	511961287	Blade Pre Packed	1		511945868	Switchbox Lower Euro	1
26	513760800	Blade Bolt	1	60	513089600	Lever Kit	1
27	51307500	Screw	1	61	513050400	Switch	1
28	513070100	Switch Btacket Assy	1	62	512769600	Pin retainer UK	1
29	514975301	Screw	2		513111700	Pin retainer Euro	1
30	512787100	Lid Latch	1	63	514839701	Capacitor	1
31	514975301	Screw	1	64	513119401	Cowl Lead Assy	1
32	510710100	Cowl	1	65	513125600	Additional Spacer for UK Only	1
33	513071001	Lead Assy	1				
34	511945668	Switch Box Upper	1				
35	513108900	Spacer Front Right	1				