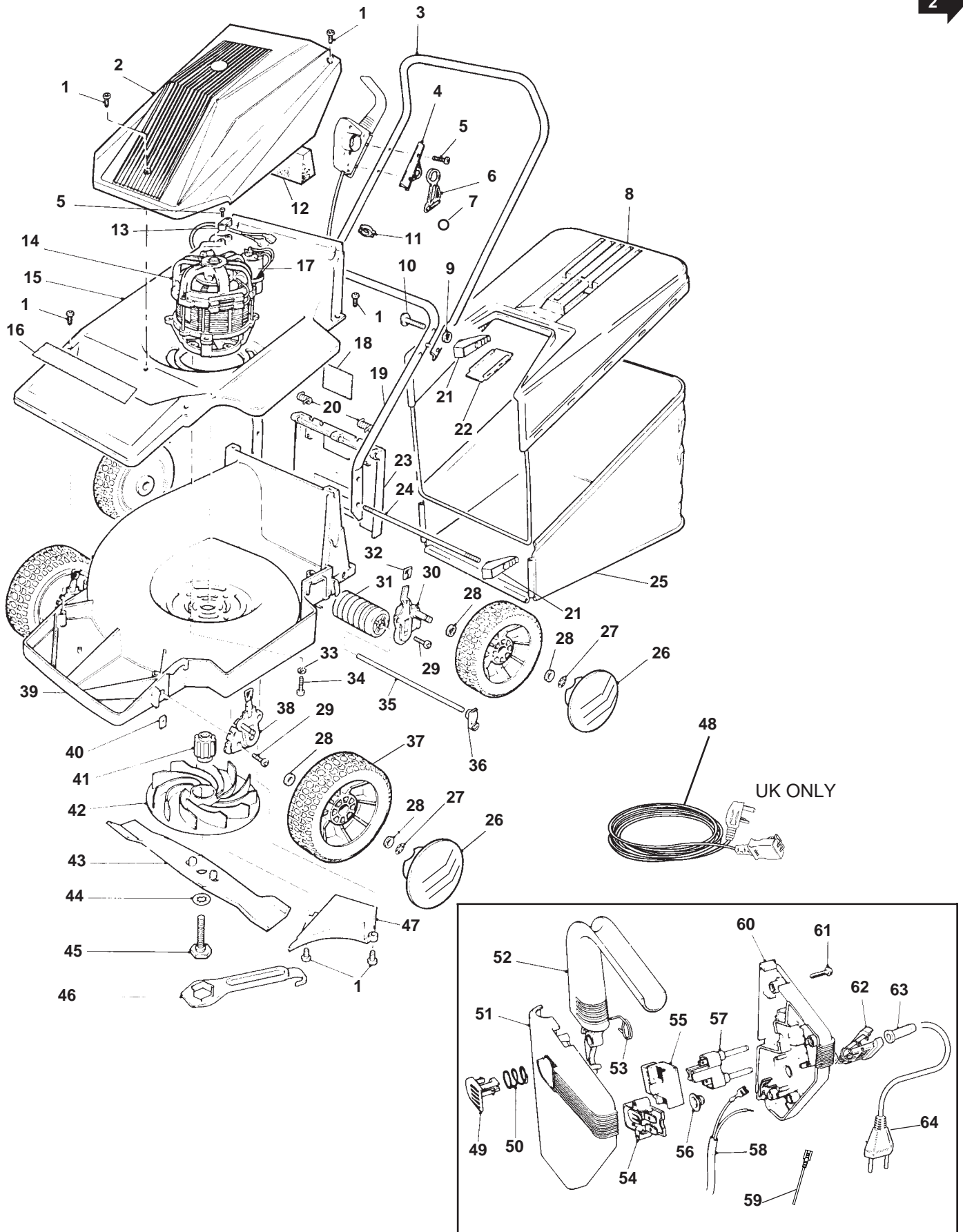


MODEL	Chevron RE350-6
PRODUCT NO.	9643515, 9643516



Flymo

MODEL	Chevron RE350-6
PRODUCT NO.	9643515, 9643516



KEY PART NUMBER	DESCRIPTION	QTY	KEY PART NUMBER	DESCRIPTION	QTY
01	5146824-00/7 SCREW	9	49	5127008-00/0 LOCK OFF	1
02	5117450-02/2 COWLING,UPPER	1 GB.EI.	50	5148658-00/7 SPRING-LOCK OFF	1
	5117450-01/4 COWLING-UPPER	1 AUS.NZ.CH.N.DK.S.SF.A. B.D.F.NL.I.E.P.	51	5106539-01/7 SWITCHBOX UPPER	1
03	5126816-21/3 HANDLE/LABEL ASSY	1 GB.EI.	52	5106481-01/2 LEVER	1
	5117667-01/3 HANDLE,UPPER	1 AUS.NZ.CH.N.DK.S.SF.A. B.D.F.NL.I.E.P.	53	5148657-00/9 SPRING-TORSION	1
04	5117657-01/4 RETAINER,SWITCHBOX	1	54	5127255-00/7 THERMAL CUT-OUT	1
05	5146672-00/0 SCREW	4	55	5137786-00/9 SWITCH	1
06	5138024-00/4 CORD GUIDE	1	56	5149024-00/1 CUT-OUT COVER	1
07	5148886-00/4 SPLIT RING	1 N.DK.S.SF.	57	5137686-00/1 PIN RETAINER	1 GB.EI.
08	5127266-01/2 G/BAG TOP & FRAME ASSY	1		5148784-00/1 PIN RETAINER	1 AUS.NZ.CH.N.DK.S.SF.A. B.D.F.NL.I.E.P.
09	5140266-00/7 WASHER	2	58	5148814-00/6 LEAD ASSY	1 GB.EI.AUS.NZ.N.DK.S.SF.
10	5148672-00/8 HANDLE BOLT	2		5148814-01/4 LEAD ASSY	1 A.B.D.F.NL.I.E.P.
11	5137750-00/5 CLIP CABLE	2		5148814-02/2 LEAD ASSY	1 CH.
12	5137973-00/3 FILTER	1	59	5148773-00/4 LEAD-INTERNAL	1
13	5140705-00/4 CABLE CLAMP	1	60	5106538-01/9 SWITCHBOX LOWER	1 GB.EI.CH.AUS.NZ.
14	5127103-00/9 MOTOR 240V	1 GB.AUS.NZ.EI.		5106540-01/5 SWITCHBOX LOWER	1 N.DK.S.SF.A.B.D.F.NL. I.E.P.
	5127103-01/7 MOTOR 220V	1 CH.N.DK.S.SF.A.B.D.F. NL.I.E.P.	61	5146672-00/0 SCREW	4
15	5106445-64/5 COWLING,LOWER	1	62	5117528-00/9 CABLE RETAINER	1 CH.AUS.NZ.
16	5137970-01/7 LABEL,FLYMO	1	63	5148741-00/1 PROTECTION SLEEVE	1 CH.AUS.NZ.
17	5149015-01/7 CAPACITOR	1	64	5148280-04/2 CONNECTING LEAD	1 AUS.NZ.
18	5146467-00/5 LABEL WARNING	1 GB.EI.AUS.NZ.		5148282-22/0 CONNECTING LEAD	1 CH.
	5138117-00/6 LABEL,WARNING	1 CH.			
	5138205-00/9 LABEL,WARNING	1 N.DK.S.SF.			
	5138204-00/2 LABEL,WARNING	1 A.B.D.F.NL.I.E.P.			
19	5116874-01/6 HANDLE,LOWER	1			
20	5136711-00/8 SPRING SAFETY FLAP	2			
21	5137679-00/6 WING KNOB	4			
22	5137452-00/8 COVER PLATE	1			
23	5116875-68/2 FLAP	1			
24	5138130-00/9 TIE BAR	1			
25	5106239-01/4 GRASSBAG GREY	1			
26	5127249-64/6 HUB CAP	4			
27	5149031-00/6 WASHER,STARLOCK	4			
28	5140980-00/3 WASHER	8			
29	5141585-00/9 SCREW	4			
30	5126642-06/4 ADJ N/S REAR & O/S FRONT	2			
31	5127060-00/1 REAR ROLLER	2			
32	5148132-02/9 CAP ORANGE	4			
33	5146309-00/9 WASHER	4			
34	5148796-00/5 SCREW MOTOR	4			
35	5137899-00/0 REAR AXLE	1			
36	5127061-00/9 BUSH	2			
37	5127243-67/2 WHEEL	4			
38	5126642-05/6 ADJ N/S FRONT & O/S REAR	2			
39	5106449-04/3 DECK,35CM - GREY	1			
40	5147777-00/6 NUT	4			
41	5117855-00/6 INSERT,IMPELLER	1			
42	5117785-00/5 FAN	1			
43	5127099-00/9 BLADE 35CM	1			
44	5148259-00/4 WASHER ANTI FRICTION	1			
45	5137608-01/3 BLADE BOLT ASSY	1			
46	5126682-00/3 SPANNER/SCRAPER	1			
47	5117453-00/0 COLLECTOR PLATE	1			
48	5127250-03/2 MAINS LEAD 20MT	1 GB.EI.			
	5126968-00/6 MAINS LEAD	1 AUS.NZ.			

PRODUCT APPLICATION

9643515-01 GB.EI. 9643516-27 N.DK.S.SF.
 9643515-99 AUS.NZ. 9643516-85 A.B.D.F.NL.I.E.P.
 9643516-22 CH.

WHERE NO APPLICATION DETAILS ARE SHOWN, PART APPLIES TO ALL COUNTRIES

A Austria; AUS Australia; B Belgium; CND Canada; CH Switzerland; D Germany; DK Denmark; E Spain; EI Eire; F France; GB Great Britain; I Italy; N Norway; NL Netherlands; NZ New Zealand; O/S Overseas; P Portugal; S Sweden; SF Finland; USA America; ZA South Africa