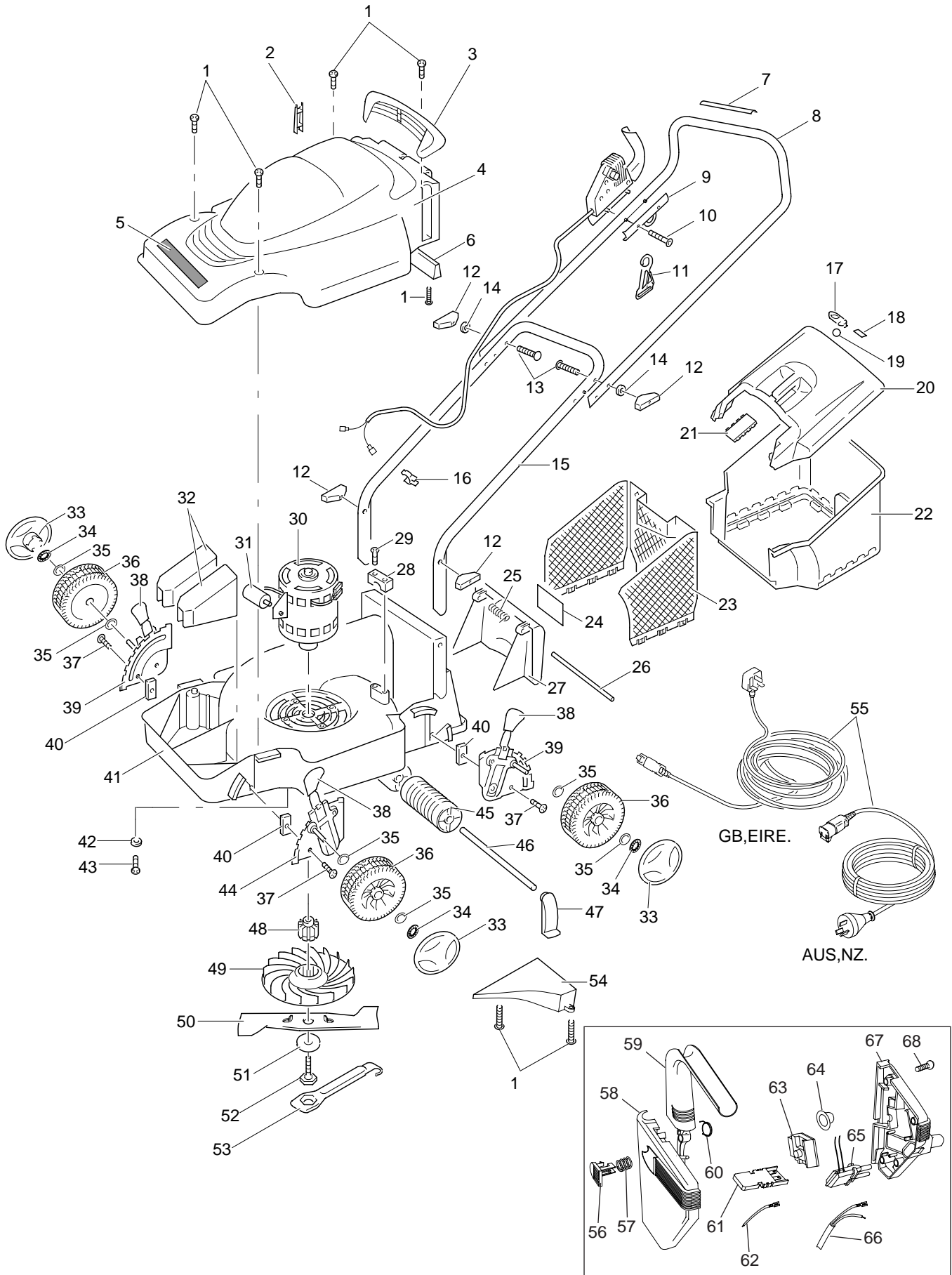


MODEL	VT350	PRODUCT APPLICATION			
		9643521-01	GB,EI	9643527-41	SA
		9643525-01	GB,EI	9643527-86	A,B,D,F,NL,E,P,I,N,DK,S,SF
PRODUCT NO.	9643521,9643525,9643527	9643527-01	GB,EI	9643527-96	ZA



MODEL	VT350	PRODUCT APPLICATION			
		9643521-01	GB,EI	9643527-41	SA
PRODUCT NO.	9643521,9643525,9643527	9643525-01	GB,EI	9643527-86	A,B,D,F,NL,E,P,I,N,DK,S,SF
		9643527-01	GB,EI	9643527-96	ZA



Key	Part Number	Description	Qty	
01	5146824-00/7	SCREW	8	
02	5127399-00/3	CABLE ENTRY COVER PLATE	1	
03	5106595-00/1	FILTER HOUSING	1	
04	5106615-01/5	COWL ASSEMBLY	1	
05	5149284-00/1	LABEL-FLYMO	1	
06	5149201-00/5	FILTER	2	
07	5138048-00/3	LABEL,WARNING	1	
08	5117667-01/3	HANDLE,UPPER	1	
09	5118091-01/5	RETAINER	1	
10	5146672-00/0	SCREW	2	
11	5138024-00/4	CORD GUIDE	1	
12	5137679-00/6	WING KNOB	4	
13	5149198-01/1	BOLT	2	
14	5140266-00/7	WASHER	2	
15	5116874-01/6	HANDLE,LOWER	1	
16	5137750-00/5	CLIP CABLE	2	
17	5127377-00/9	INDICATOR COVER	1	
18	5149233-00/8	LABEL,GRASSBOX	1	
19	5149181-00/9	BALL,GREEN	1	
20	5138311-00/5	GRASSBOX TOP	1	
21	5127397-00/7	COVER PLATE	1	
22	5106597-00/7	GRASSBOX LOWER	1	
23	5106599-00/3	SCREEN	1	
24	5146467-00/5	LABEL,WARNING	1	GB,EI,SA,ZA.
	5138346-01/9	LABEL,WARNING	1	A,B,D,F,NL,E,P,I,N,DK,S,SF.
25	5149046-00/4	SPRING	1	
26	5138130-00/9	TIE BAR	1	
27	5106598-00/5	SAFETY FLAP	1	
28	5136692-01/8	CABLE CLAMP	1	
29	5149197-01/3	SCREW	2	
30	5150019-00/7	MOTOR INDUCTION	1	
31	5195204-00/2	CAPACITOR	1	
32	5126864-00/7	BALLAST/CONCRETE	2	
33	5127529-64/1	HUB CAP	4	
34	5149031-00/6	WASHER,STARLOCK	4	
35	5140980-00/3	WASHER	8	
36	5127515-00/4	WHEEL	4	
37	5141585-00/9	SCREW	4	
38	5127381-00/1	HEIGHT ADJUSTER KNOB	4	
39	5127414-01/8	ADJUSTER L/H REAR-R/H FRONT	2	
40	5147777-00/6	NUT	4	
41	5106449-04/3	DECK 42CM	1	
42	5146309-00/9	WASHER	4	
43	5148796-00/5	SCREW MOTOR	4	
44	5127414-02/6	ADJUSTER R/H REAR-L/H FRONT	2	
45	5127060-00/1	REAR ROLLER	2	
46	5137899-00/0	REAR AXLE	1	
47	5127061-00/9	BUSH	2	
48	5118101-00/4	INSERT IMPELLER	1	
49	5117785-01/3	FAN (IMPELLER)	1	
50	5127099-00/9	BLADE 35CM	1	
51	5148259-00/4	WASHER	1	
52	5137608-01/3	BLADE BOLT ASSY	1	
53	5126682-00/3	SPANNER/SCRAPER	1	
54	5117453-01/8	COLLECTOR PLATE	1	
55	5127250-03/2	MAINS LEAD 20MT	1	GB,EI.
	5127617-00/8	LEAD	1	ZA
56	5127008-00/0	LOCK OFF	1	
57	5148658-00/7	SPRING,LOCK OFF	1	
58	5106728-01/6	SWITCHBOX UPPER	1	
59	5106481-01/2	LEVER	1	
60	5148657-00/9	SPRING,TORSION	1	
61	5127255-00/7	THERMAL CUT-OUT	1	GB,EI,SA,ZA.
	5127255-01/5	THERMAL CUT-OUT	1	A,B,D,F,NL,E,P,I,N,DK,S,SF
62	5148773-00/4	LEAD,INTERNAL	1	
63	5137786-00/9	SWITCH	1	
64	5149024-00/1	CUT-OUT COVER	1	
65	5138384-00/2	PIN RETAINER	1	GB,EI,SA,ZA.
	5148784-00/1	PIN RETAINER	1	A,B,D,F,NL,E,P,I,N,DK,S,SF
66	5148814-27/9	LEAD	1	GB,EI,SA,ZA.
	5148814-12/1	LEAD	1	A,B,D,F,NL,E,P,I,N,DK,S,SF
67	5106538-01/9	SWITCHBOX LOWER	1	GB,EI,SA,ZA.
	5106540-01/5	SWITCHBOX LOWER	1	A,B,D,F,NL,E,P,I,N,DK,S,SF
68	5146672-00/0	SCREW	4	