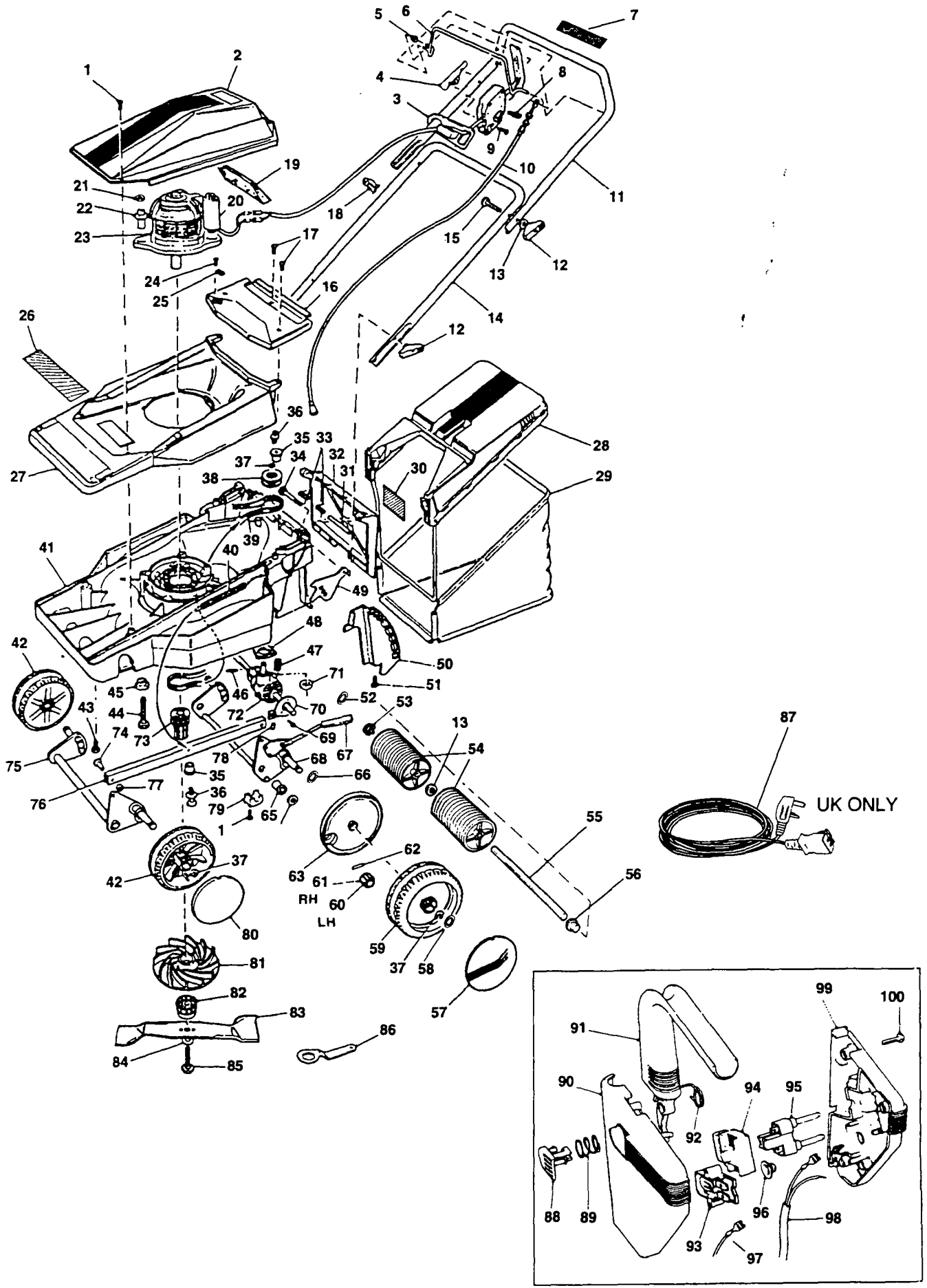


Flymo

MODEL	RE420P
PRODUCT NO.	9644279, 9644280



Flymo

MODEL	RE420P
PRODUCT NO.	9644279, 9644280

KEY PART NUMBER	DESCRIPTION	QTY	KEY PART NUMBER	DESCRIPTION	QTY		
01	5148519-01/9	SCREW	2	58	5149108-00/2	PUSH ON FIX	4
02	5117209-02/2	COWL TOP	1 GB.EI.	59	5126920-00/7	DRIVE WHEEL ASSY	2
	5117209-03/0	COWL TOP	1 N.DK.S.SF.A.B.NL.F.D.	60	5138050-00/9	DRIVE SPROCKET L/H	1
03	5138024-00/4	CORD GUIDE	1	61	5138050-01/7	DRIVE SPROCKET R/H	1
04	5117657-00/6	SWITCHBOX RETAINER	1	62	5148831-00/0	PAWL	2
05	5148503-00/5	INSULATING BUSH	2	63	5126884-00/5	BACK PLATE	2
06	5117792-00/1	GRAB RAIL	1	64	5140281-01/4	WASHER	4
07	5138048-00/3	LABEL,WARNING,U/HANDLE	1 GB.EI.	65	5148485-00/5	BUSH AXLE	2
08	5138105-68/8	CLEAT	1	66	5148786-00/6	WASHER	2
09	5146672-00/0	SCREW	2	67	5126874-01/4	KNOB,ADJUSTER	1
10	5137892-00/5	CABLE CLUTCH	1	68	5126927-05/1	AXLE ASSEMBLY	1
11	5127295-02/9	HANDLE,UPPER	1	69	5147114-00/2	SCREW	2
12	5137679-03/0	WING KNOB	4	70	5137701-01/6	ACTUATING PLATE	1
13	5140281-04/8	WASHER	2	71	5148905-00/2	WASHER	1
14	5127278-02/5	HANDLE,LOWER	1	72	5127179-00/9	GEARBOX	1
15	5148510-00/0	BOLT,NIBBED	2	73	5127229-00/2	DRIVE HUB	1
16	5106357-01/4	ACCESS PANEL	1	74	5148506-00/8	CLEVIS PIN	2
17	5146824-00/7	SCREW	3	75	5127236-00/7	AXLE FABRICATION	1
18	5137811-00/5	CABLE CLIP	2	76	5148832-00/8	LINK	1
19	5137698-00/6	FILTER	1	77	5148524-00/1	WASHER,STARLOCK	2
20	5149015-02/5	CAPACITOR	1	78	5148742-00/9	END TIP	1
21	5149061-00/3	LOCKNUT	3	79	5137730-00/7	BRIDGE CLAMP	2
22	5138149-00/9	BUSH	3	80	5127158-01/1	HUB CAP	2
23	5195187-00/9	MOTOR KIT 240V	1 GB.EI.	81	5117785-00/5	FAN	1
	5195187-01/7	MOTOR KIT 220V	1 N.DK.S.SF.A.B.NL.F.D.	82	5127032-00/0	BLADE SPACER	1
24	5146941-00/9	SCREW	2	83	5117183-00/3	BLADE 42CM	1
25	5140705-00/4	CABLE CLAMP	1	84	5148598-00/5	DISC SPRING	1
26	5137880-01/8	LABEL	1	85	5148754-00/4	BLADE BOLT ASSY	1
27	5117200-02/1	COWL BASE	1 GB.EI.	86	5126682-00/3	SPANNER/SCRAPER	1
	5106351-01/7	COWL BASE	1 N.DK.S.SF.A.B.NL.F.D.	87	5127250-03/2	MAINS LEAD 20MT	1 GB.EI.
28	5127231-02/4	GRASSBAG TOP & FRAME	1	88	5127008-00/0	LOCK OFF	1
29	5117182-01/3	GRASSBAG	1	89	5148658-00/7	SPRING,LOCK OFF	1
30	5146467-00/5	LABEL,WARNING	1 GB.EI.	90	5106539-00/9	SWITCHBOX UPPER	1
	5138204-00/2	LABEL,WARNING	1 A.B.NL.F.D.	91	5106452-00/5	LEVER	1
	5138205-00/9	LABEL,WARNING	1 N.DK.S.SF.	92	5148657-00/9	SPRING,TORSION	1
31	5148568-00/8	SPRING GUIDE	1	93	5127255-00/7	THERMAL CUT-OUT	1
32	5106353-68/2	SAFETY FLAP	1	94	5137786-00/9	SWITCH	1
33	5137845-00/3	SPRING RETURN	2	95	5137686-00/1	PIN RETAINER	1
34	5148505-00/0	BOLT COACH	2	96	5148654-00/6	SLEEVE,CUT OUT	1
35	5148509-00/2	GUIDE BUSH	4	97	5148773-00/4	LEAD,INTERNAL	1
36	5148528-00/2	PLASTIC RIVET	1	98	5148814-22/0	LEAD ASSY	1 GB.EI.
37	5148526-00/6	CIRCLIP	5		5148814-23/8	LEAD ASSY	1 N.DK.S.SF.A.B.NL.F.D.
38	5137891-00/7	PULLEY	1	99	5106538-01/9	SWITCHBOX,LOWER	1 GB.EI.
39	5126882-00/9	DRIVE BELT	1		5106540-01/5	SWITCHBOX,LOWER	1 N.DK.S.SF.A.B.NL.F.D.
40	5137731-00/5	SPRING COUNTERBALANCE	1	100	5146672-00/0	SCREW	4
41	5106350-04/3	DECK 42CM	1				
42	5127136-00/9	WHEEL	2				
43	5148552-01/0	SCREW	4				
44	5148508-00/4	BOLT	3				
45	5148551-00/4	BUSH INSULATOR	3				
46	5148478-00/0	RATCHET PIN	1				
47	5137733-00/1	CLUTCH SPRING	1				
48	5137798-00/4	FOAM SEAL	1				
49	5137810-00/7	INDEX PLATE	2				
50	5126867-00/0	QUADRANT	1				
51	5146736-00/3	SCREW	1				
52	5148825-00/2	PUSH-ON-FIX	1 GB.EI.				
53	5137801-00/6	AXLE CLIP	1 GB.EI.				
54	5126880-00/3	ROLLER	2 GB.EI.				
55	5137709-00/1	AXLE,ROLLER	1 GB.EI.				
56	5137802-00/4	AXLE MOUNT	1 GB.EI.				
57	5126918-01/9	HUB CAP,REAR	2				

PRODUCT APPLICATION

9644279-01	GB.EI.	9644280-20	A.B.NL.F.D.
9644280-27	N.DK.S.SF.		

WHERE NO APPLICATION DETAILS ARE SHOWN, PART APPLIES TO ALL COUNTRIES

A Austria; AUS Australia; B Belgium; CND Canada; CH Switzerland; D Germany; DK Denmark; E Spain; EI Eire; F France; GB Great Britain; I Italy; N Norway; NL Netherlands; NZ New Zealand; O/S Overseas; P Portugal; S Sweden; SF Finland;