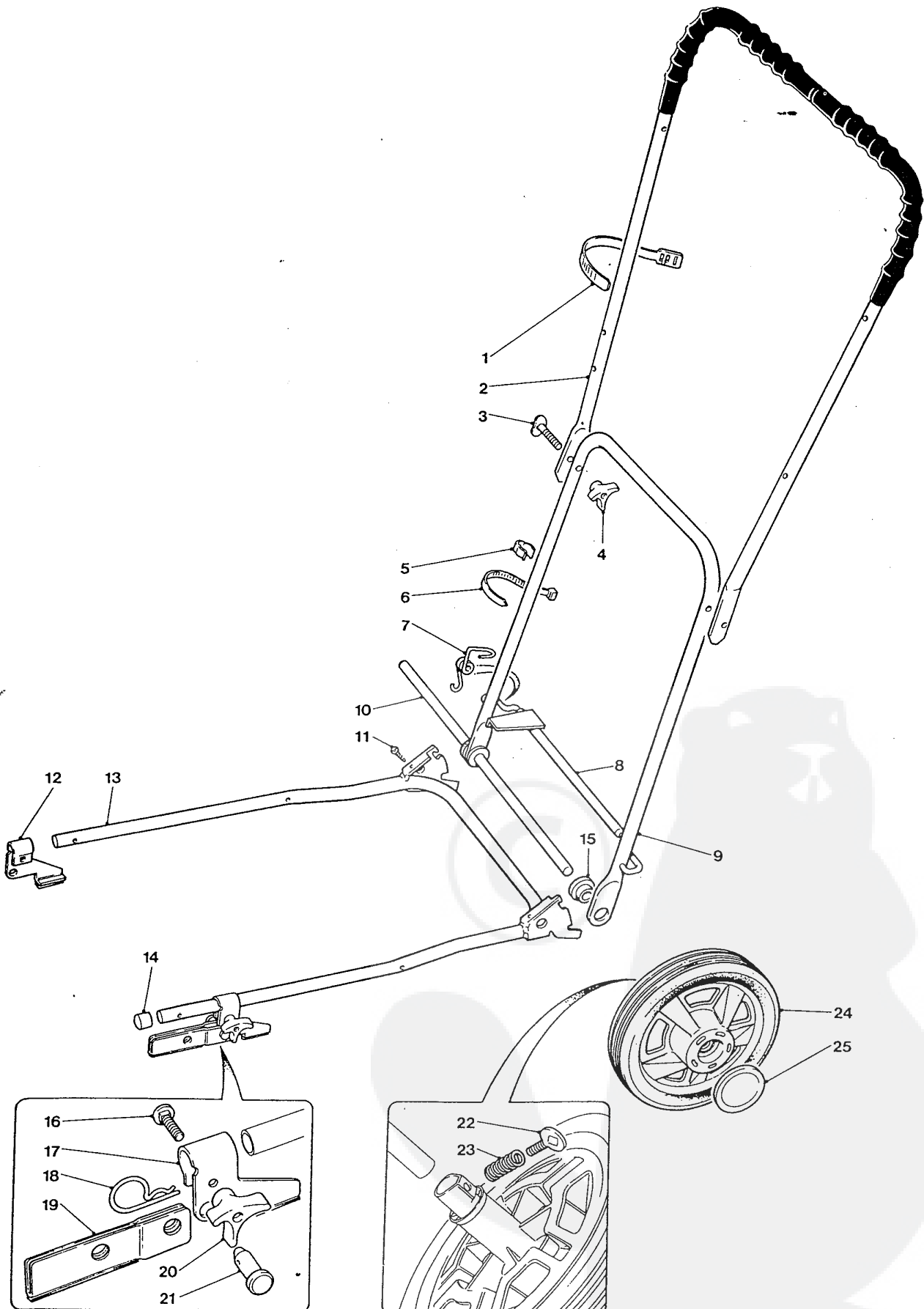


✓ 964620401/1







# Undercarriage (Universal) 9646121

KEY NO.	PART NO.	DESCRIPTION	QUANTITY	COMMENTS APPLICATION
1	5147150-00/6	TIE WRAP	1	
2	5116137-01/8	HANDLE UPPER	1	
3	5140607-00/2	BOLT HANDLE 1/4 UNCX 4SLG	2	
4	5140690-00/8	KNOB WING	2	
5	5140497-00/8	CLIP	1	
6	5147150-00/6	TIE WRAP	1	
7	5140836-00/7	SPRING	1	
8	5130439-00/2	BAR LOCKING	1	
9	5110236-01/4	HANDLE LOWER	1	
10	5130297-01/2	AXLE WHEEL	1	
11	5140866-00/4	SCREW	2	
12	5136209-01/1	BRACKET L/H	1	
13	5110401-00/6	FRAME LUG ASSY	1	
14	5147549-00/9	STOP	2	
15	5140832-00/6	BUSH	2	
16	5141779-00/8	SCREW	2	
17	5136208-01/3	BRACKET R/H	1	
18	5140423-00/4	PIN RETAINING	2	
19	5147515-00/0	BRACKET U/CARRIAGE	2	
20	5140690-00/8	KNOB WING	2	
21	5140092-00/7	PIN LOCKING	2	
22	5147461-00/7	SCREW	2	NLA USE 5147509-00/3
23	5147462-00/5	SPRING	1	NLA USE 5147509-00/3
24	5126601-00/3	WHEEL C/W HUB CAP	2	
25	5147498-00/9	CAP HUB 3"	2	

