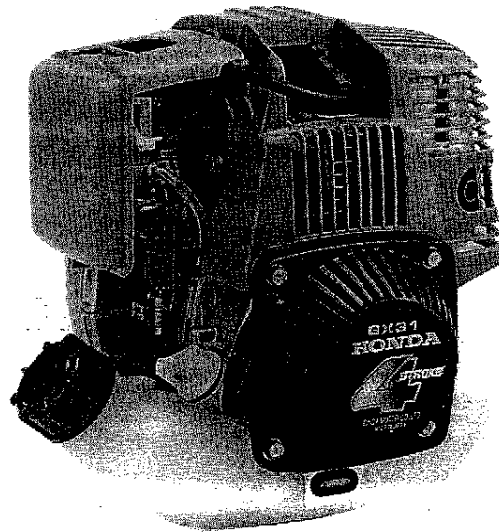


**GX22**



**GX31**

## INDEX

FOREWORD INDEX

1

ENGINE GROUP

2

PART NUMBER INDEX

3

PART NAME INDEX

4

# B 9

## ENGINE GROUP

[ E ]

-Ref.No.on the Index illustration may be different from that in the text.

**C 1** Cylinder head cover/  
Crankcase set  
E-2

2033-88300 A

**C 3** Piston/Crankshaft  
E-7

2033-82700 A

**C 4** Camshaft  
E-9

2033-82800

**C 5** Recoil starter  
E-11

2033-81100

**C 6** Clutch/Fan cover  
E-12

2033-81200

**C 7** Carburetor  
E-14

2033-81400 A

**C 9** Air cleaner  
E-15

2033-81500

**C10** Muffler  
E-16

2033-81600

**C11** Fuel tank  
E-17

2033-81700 A

**B 10****ENGINE GROUP**

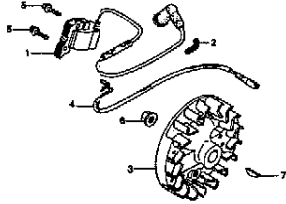
[ E ]

\*Ref.No.on the index illustration may be different from that in the text.

**C12**

Flywheel/ignition coil

E-19

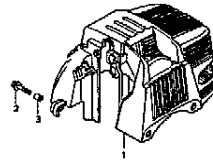


D9D-G1M0A 7/1-89

**C13**

Cover

E-27

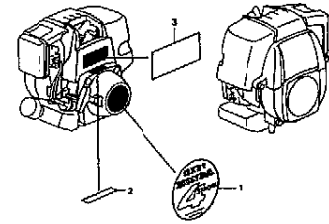


D9D-G1M0A 7/1-89

**C14**

Label

E-28

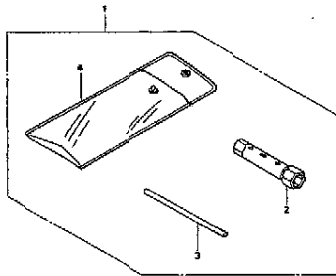


D9D-G1M0A 7/1-89

**C15**

Tool

E-29



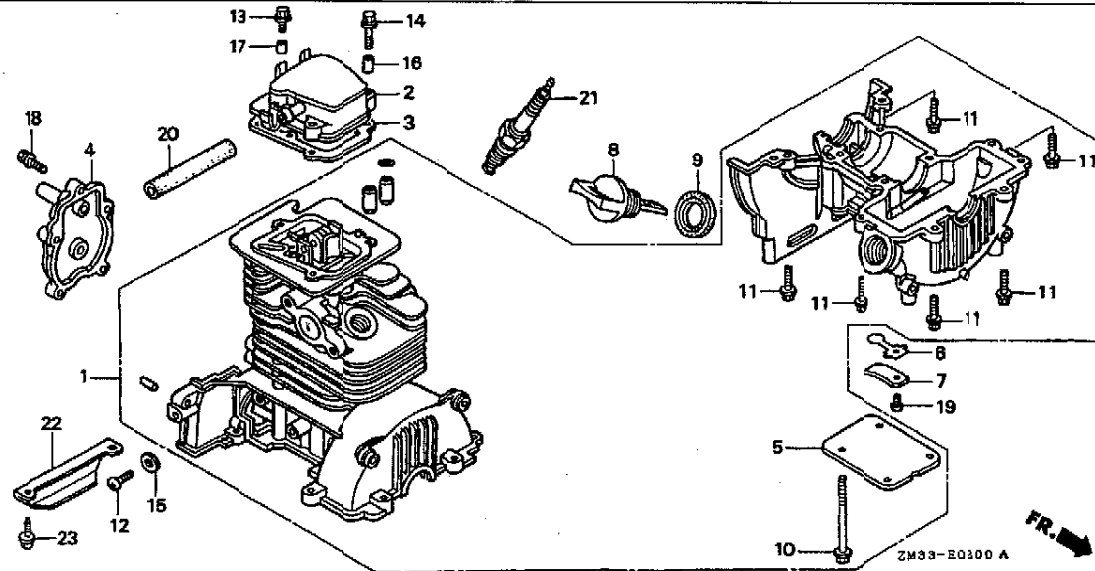
D9D-G1M0A 7/1-89

2

C 1

Cylinder head cover / Crankcase set

E - 2



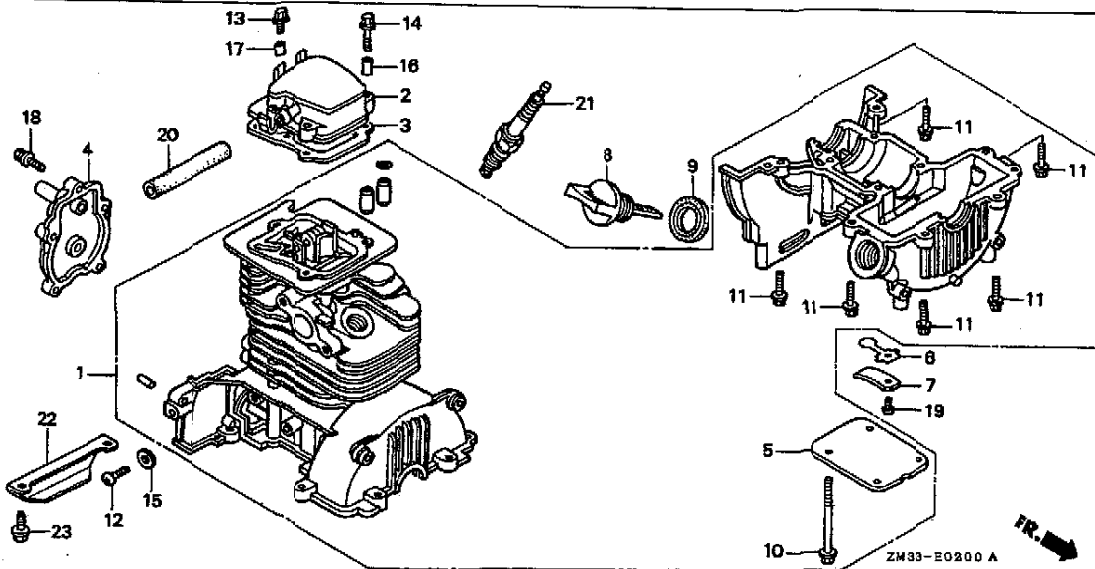
Service Item	F.R.T.
CRANKCASE SET COMP.....	1.6
COVER COMP., HEAD.....	0.2
.PACKING, HEAD COVER	
.COVER, OIL OUTLET VALVE	
VALVE, OIL OUTLET.....	0.3
COVER, CAMSHAFT.....	0.4
TUBE, 7X68.....	0.1
.PLUG, SPARK	

Ref. No.	Part No.	Description	Reqd. QTY		Serial No.	Type
			GX 22	GK 31		
1	11000-ZM3-000	CRANKCASE SET COMP.....	1	-		
	11000-ZM5-000	.....	-	1		
2	12310-ZM3-000	COVER COMP., HEAD.....	1	1		
3	12312-ZM3-000	PACKING, HEAD COVER.....	1	1		
4	14121-ZM3-000	COVER, CAMSHAFT.....	1	-		
	14121-ZM5-000	.....	-	1		
5	15511-ZM3-000	COVER, OIL OUTLET VALVE.....	1	1		
6	15571-ZM3-003	VALVE, OIL OUTLET.....	1	1		
7	15572-ZM3-000	PLATE, STOPPER.....	1	1		
8	15620-ZM3-003	CAP, OIL FILLER.....	1	1		
9	15625-ZE1-003	PACKING, OIL FILLER CAP.....	1	1		
10	90003-ZM3-000	BOLT, FLANGE, 5X55.....	4	4		
11	90005-ZM3-000	BOLT, FLANGE, 5X18.....	6	6		
12	90011-ZM3-000	SCREW, PAN, 6X8.....	1	1		
13	90101-P4V-000	BOLT, FLANGE, 5X12.....	1	1		
14	90112-GK8-010	BOLT, FLANGE, 5X22.....	2	2		
15	90481-GW3-000	VASHER, SEALING, 6.5MM.....	1	1		
16	91501-ZM3-000	COLLAR, HEAD COVER.....	2	2		
17	91502-ZM3-000	COLLAR, TOP COVER.....	1	1		
18	93401-04016-00	BOLT-WASHER, 4X16.....	5	5		
19	93500-03005-DA	SCREW, PAN, 3X5.....	1	1		
20	95005-70068-30	TUBE, 7X68 (95005-70001-30M)	1	1		
21	98056-55757	PLUG, SPARK (U16FSR-UB).....	1	1		
	98056-55777	PLUG, SPARK (R5HSB).....	1	1		

C 2

Cylinder head cover/ Crankcase set

E-2



Service Item F.R.T.

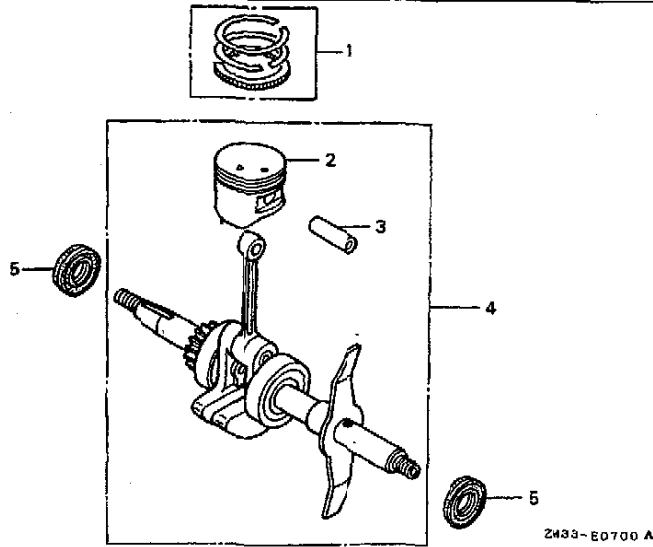
Ref. No.	Part No.	Description	Reqd. QTY		Serial No.	Type
			6X	6X		
22	51511-VF9-000	STAND.....	1	1	-----	SALT,SCT,SET
23	90005-892-000	BOLT, FLANGE, 5X12.....	2	2	-----	SAUT,SCT,SET

2

**C 3**

Piston/Crankshaft

**E-7**



Service Item	F.R.T.
RING SET, PISTON.....	1.3
.PIN, PISTON	
PISTON.....	1.4
CRANKSHAFT COMP.....	1.2
OIL SEAL, 12X25X6.....	0.7

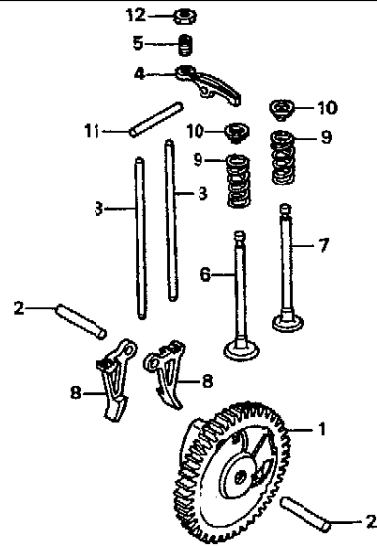
Ref. No.	Part No.	Description	Reqd. QTY		Serial No.	Type
			6X 22	6X 31		
1	13010-IMS-000	RING SET, PISTON.....	1	-		
	13010-IMS-000	.....	-	1		
2	13101-IMS-000	PISTON.....	1	-		
	13101-IMS-000	.....	-	1		
3	13111-IMS-000	PIN, PISTON.....	1	-		
	13111-IMS-000	.....	-	1		
4	13310-IMS-000	CRANKSHAFT COMP.....	1	-		
	13310-IMS-000	.....	-	1		
5	91213-IMS-003	OIL SEAL, 12X25X6.....	2	2		

**2**

**C 4**

**Camshaft**

**E - 9**



ZM33-ED910



ZM33ED100

Service Item	F.R.T.
CAMSHAFT ASSY.....	0.5
ROD, PUSH.....	0.3
(ADD 0.1 FOR EACH.)	
ARM, VALVE ROCKER.....	0.4
(ADD 0.1 FOR EACH.)	
LIFTER, VALVE	
SPRING, VALVE	
(ADD 0.1 FOR EACH.)	
VALVE, IN.....	1.4
(ADD 0.1 FOR EACH.)	

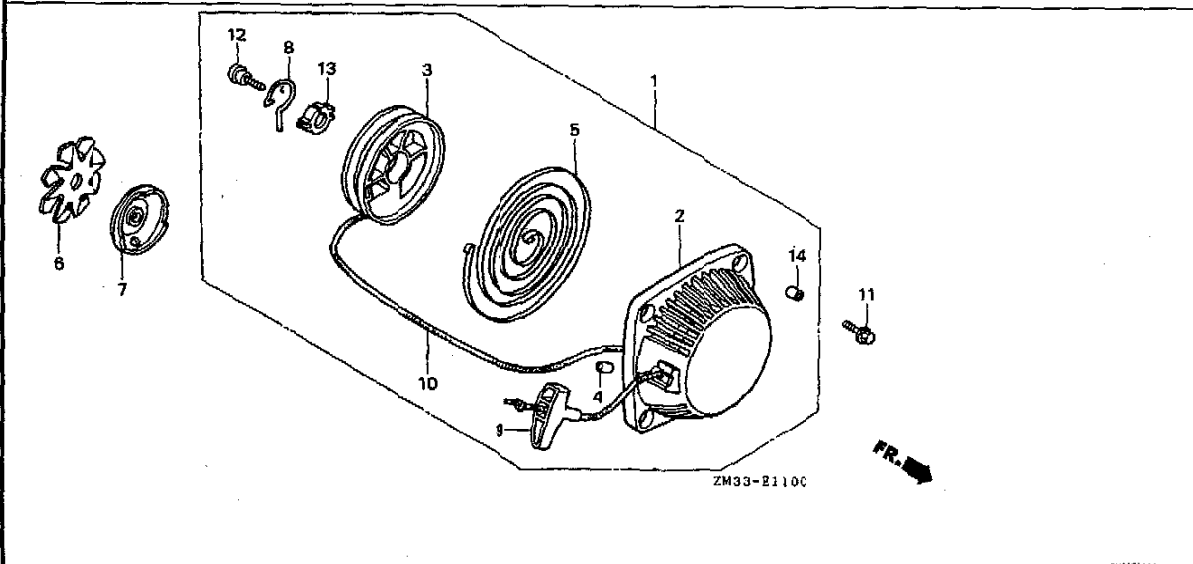
**2**

Ref. No.	Part No.	Description	Reqd. QTY		Serial No.	Type
			GX 22	GX 31		
1	14100-ZM3-000	CAMSHAFT ASSY.....	1	1		
2	14126-ZM3-000	ROLLER (5X23.8).....	2	2		
3	14410-ZM3-000	ROD, PUSH.....	2	2		
4	14431-ZM3-000	ARM, VALVE ROCKER.....	2	2		
5	14451-ZM3-000	PIVOT, ROCKER ARM.....	2	2		
6	14711-ZM3-000	VALVE, IN.....	1	-		
	14711-ZM5-000	.....	-	1		
7	14721-ZM3-000	VALVE, EX.....	1	1		
8	14731-ZM3-003	LIFTER, VALVE.....	2	2		
9	14751-ZM3-000	SPRING, VALVE.....	2	2		
10	14771-ZM3-000	RETAINER, VALVE SPRING.....	2	2		
11	41313-PL3-000	ROLLER, 4X28.....	1	1		
12	90206-ZM3-000	NUT, TAPPET ADJUSTING.....	2	2		

C 5

Recoil starter

E-11



Service Item	F.R.T.
STARTER ASSY., RECOIL.....	0.1
ARM, SWING	
REEL, RECOIL STARTER.....	0.2
SPRING, RECOIL STARTER	
FAN, RATCHET	
PULLEY, RECOIL STARTER	
ROPE, RECOIL STARTER	

Ref. No.	Part No.	Description	Lead. QTY		Serial No.	Type
			GX 22	GX 31		
1	28400-ZM3-003ZA	STARTER ASSY., RECOIL				
		*NH1*.....BLACK	1	1		
2	28414-ZM3-003	CASE, RECOIL STARTER.....	1	1		
3	28421-ZM3-003	REEL, RECOIL STARTER.....	1	1		
4	28433-ZM3-003	GUIDE, ROPE.....	1	1		
5	28442-ZM3-003	SPRING, RECOIL STARTER.....	1	1		
6	28447-ZM3-000	FAN, RATCHET.....	1	1		
7	28451-ZM3-003	PULLEY, RECOIL STARTER.....	1	1		
8	28459-ZM3-003	ARM, SWING.....	1	1		
9	28461-ZM3-003	KNOB, RECOIL STARTER.....	1	1		
10	28462-ZM3-003	ROPE, RECOIL STARTER.....	1	1		
11	90005-ZM3-000	BOLT, FLANGE, 5X18.....	4	4		
12	90012-ZM3-003	SCREW SET.....	1	1		
13	91504-ZM3-003	COLLAR.....	1	1		
14	91505-ZM3-003	COLLAR.....	4	4		

2

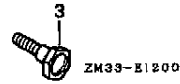
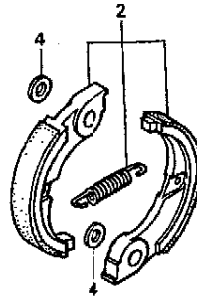
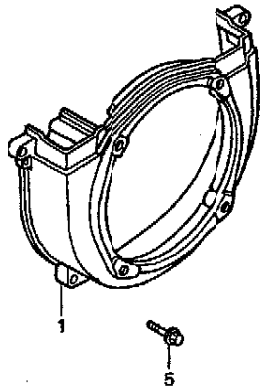


**C 6**

Clutch/Fan cover

**E-12**

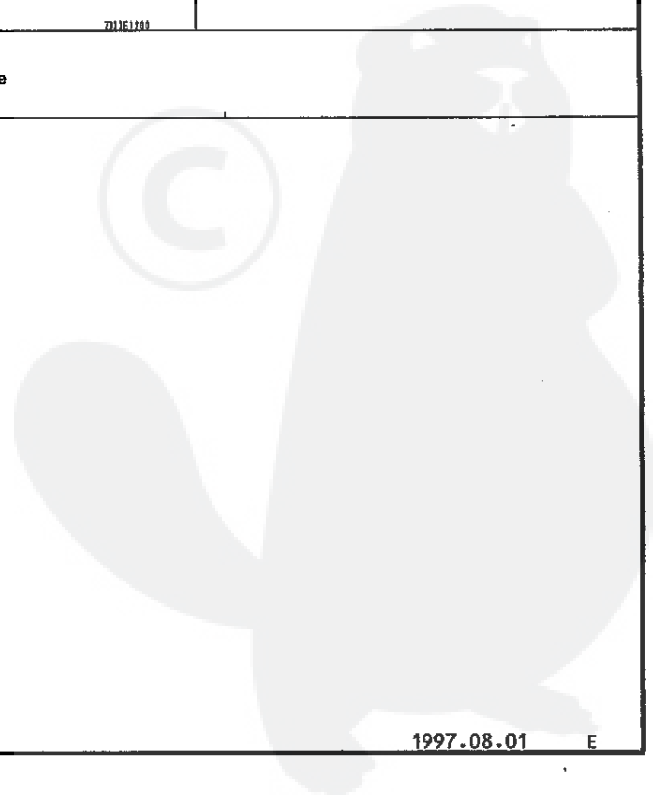
FR.



Service Item	F.R.T.
COVER, FAN.....	0.2
CLUTCH ASSY.	

**2**

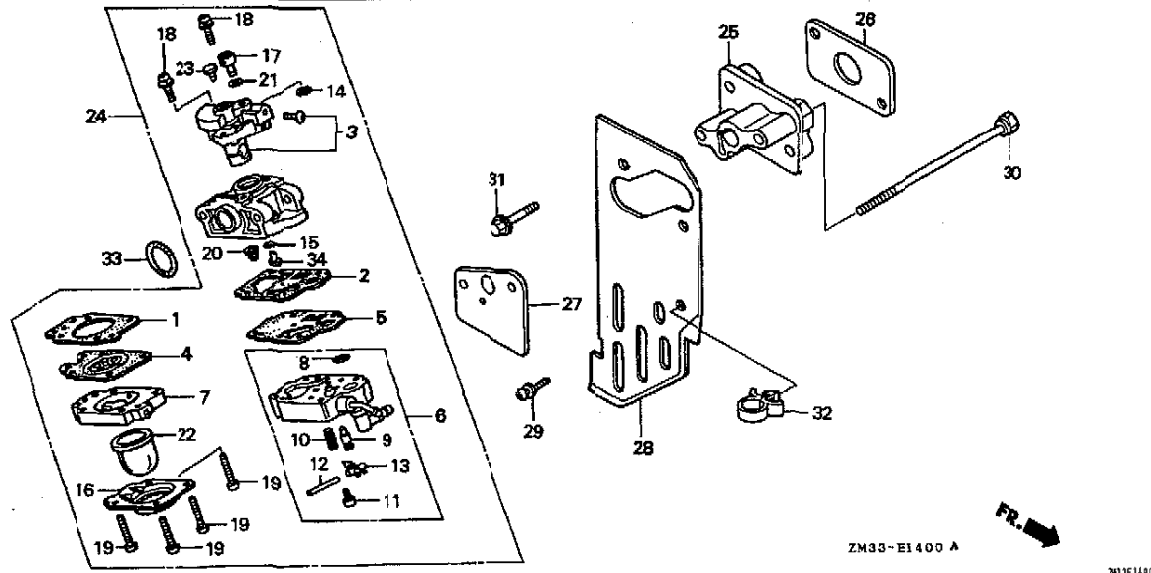
Ref. No.	Part No.	Description	Reqd. QTY		Serial No.	Type
			3X 22	6X 31		
1	19611-ZM3-000	COVER, FAN.....	1	-		
	19611-ZM5-000	.....	-	1		
2	22000-ZM3-003	CLUTCH ASSY.....	1	-		
	22000-ZM5-003	.....	-	1		
3	22253-ZM3-003	BOLT, CLUTCH (6MM).....	2	-		
	22253-ZM5-003	BOLT, CLUTCH (8MM).....	-	2		
4	22254-ZM3-003	WASHER, CLUTCH (6X15).....	2	-		
	22254-ZM5-003	WASHER, CLUTCH (8X17).....	-	2		
5	90005-ZM3-000	BOLT, FLANGE, 5X18.....	2	2		



C 7

Carburetor

E-14



Service Item	F.R.T.
GASKET, METERING DIAPHRAGM.....	0.2
CARBURETOR ASSY.	
INSULATOR, CARBURETOR	
PACKING, INSULATOR	
DIAPHRAGM ASSY., METERING	
PACKING, CARBURETOR	
GUIDE, AIR IN.	
BODY ASSY., AIR PURGE	
PACKING, CARBURETOR	
GASKET, PUMP.....	0.4
DIAPHRAGM, PUMP	
BODY ASSY., PUMP	
VALVE, INLET NEEDLE	
THROTTLE VALVE ASSY.....	0.3
C-RING, 14.8X2.4.....	0.1

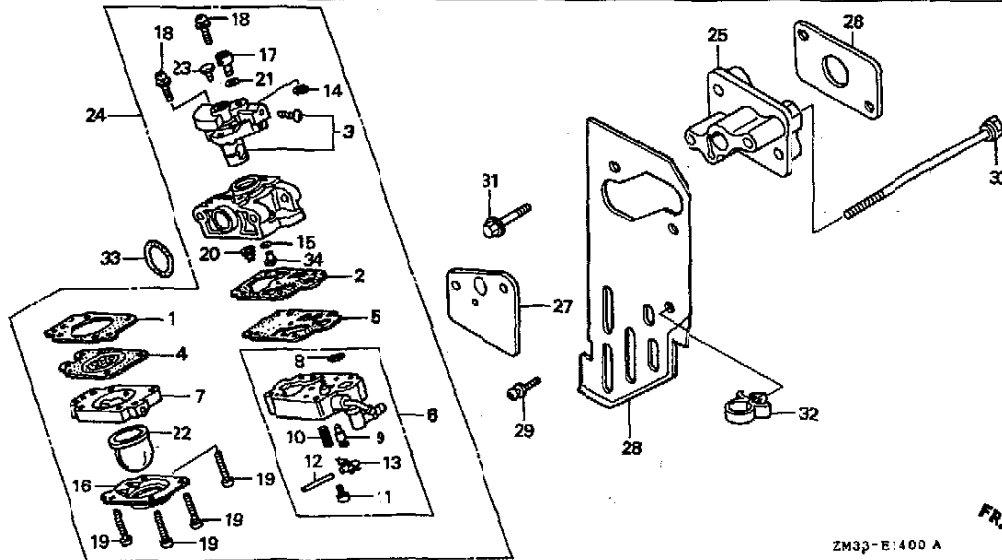
Ref. No.	Part No.	Description	Reqd. QTY		Serial No.	Type
			GX	8X		
1	16010-ZM3-004	GASKET, METERING DIAPHRAGM.....	1	1		
2	16011-ZM3-004	GASKET, PUMP.....	1	1		
3	16012-ZM3-004	THROTTLE VALVE ASSY.....	1	1		
4	16013-ZM3-004	DIAPHRAGM ASSY., METERING.....	1	1		
5	16014-ZM3-004	DIAPHRAGM, PUMP.....	1	1		
6	16015-ZM3-004	BODY ASSY., PUMP.....	1	1		
7	16017-ZM3-004	BODY ASSY., AIR PURGE.....	1	1		
8	16018-ZM3-004	SCREEN, INLET.....	1	1		
9	16019-ZM3-004	VALVE, INLET NEEDLE.....	1	1		
10	16020-ZM3-004	SPRING, METERING LEVER.....	1	1		
11	16021-ZM3-004	SCREW, METERING LEVER PIN.....	1	1		
12	16022-ZM3-004	PIN, METERING LEVER.....	1	1		
13	16023-ZM3-004	LEVER, METERING.....	1	1		
14	16024-ZM3-004	RING, SPRING RETAINING.....	1	1		
15	16025-ZM3-004	O-RING.....	1	1		
16	16026-ZM3-004	COVER, PRIMER PUMP.....	1	1		
17	16027-ZM3-004	SWIVEL.....	1	1		
18	16028-ZM3-004	SCREW, THROTTLE COLLAR.....	2	2		
19	16029-ZM3-004	SCREW, PUMP COVER.....	4	4		
20	16030-ZM3-004	SPRING, PUMP.....	1	1		
21	16031-ZM3-004	WASHER.....	1	1		
22	16032-ZM3-004	PUMP, PRIMER.....	1	1		
23	16033-ZM3-004	PLUG.....	1	1		
24	16100-ZM3-004	CARBURETOR ASSY. (WYL-62A).....	1	-		
	16100-ZM5-004	CARBURETOR ASSY. (WYL-63).....	-	1		

2

C 8

Carburetor

E-14



Service Item F.R.T.

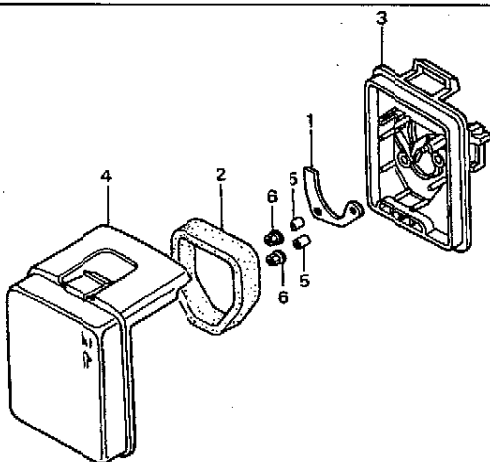
2

Ref. No.	Part No.	Description	Reqd. QTY		Serial No.	Type
			3X	6X		
25	162'1-ZM3-000	INSULATOR, CARBURETOR.....	1	1		
26	162'2-ZM3-000	PACKING, INSULATOR.....	1	1		
27	162'1-ZM3-000	PACKING, CARBURETOR.....	1	1		
28	1965'1-ZM3-000	GUIDE, AIR IN.....	1	1		
29	93894-05010-00	SCREW-WASHER, 5X10.....	1	1		
30	900'0-ZM3-000	BOLT, HEX., 5X75.....	2	2		
31	901'2-GK8-010	BOLT, FLANGE, 5X22.....	2	2		
32	90659-680-013	CLIP, WIRE HARNESS.....	1	1		
33	91301-ZM3-000	O-RING, 14.8X2.4.....	1	1		
34	99101-ZM3-0340	JET (#34).....	(1)	-	-----	SAU,SAUT,SCT,SET
	99101-ZM3-0350	JET (#35).....	(1)	-	-----	SAU,SAUT,SCT,SET
	99101-ZM3-0360	JET (#36).....	1	-	-----	
	99101-ZM3-0370	JET (#37).....	(1)	-	-----	SC,SE
	99101-ZM3-0380	JET (#38).....	(1)	-	-----	SC,SE
	99101-ZM3-0390	JET (#39).....	-	(1)	-----	SAU,SAUT,SCT,SET
	99101-ZM3-0400	JET (#40).....	-	(1)	-----	SAU,SAUT,SCT,SET
	99101-ZM3-0410	JET (#41).....	-	(1)	-----	SC,SE
	99101-ZM3-0420	JET (#42).....	-	(1)	-----	SC,SE

**C 9**

**Air cleaner**

**E-15**



ZM3-E1500

ZM3E1500

Service	Item	F.R.T.
	PLATE, OIL TRAP.....	0.1
	ELEMENT, AIR CLEANER	
	CASE COMP., AIR CLEANER	

Ref. No.	Part No.	Description	Reqd. QTY.		Serial No.	Type
			GX 22	GX 31		
1	17204-ZM3-000	PLATE, OIL TRAP.....	1	1		
2	17211-ZM3-000	ELEMENT, AIR CLEANER.....	1	1		
3	17220-ZM3-000ZA	CASE COMP., AIR CLEANER				
		*R8*.....BRIGHT RED	1	1		
4	17231-ZM3-000ZA	COVER, AIR CLEANER				
		*R8*.....BRIGHT RED	1	1		
5	91503-ZM3-000	COLLAR, AIR CLEANER.....	2	2		
6	94050-05000	NUT, FLANGE, 5MM.....	2	2		

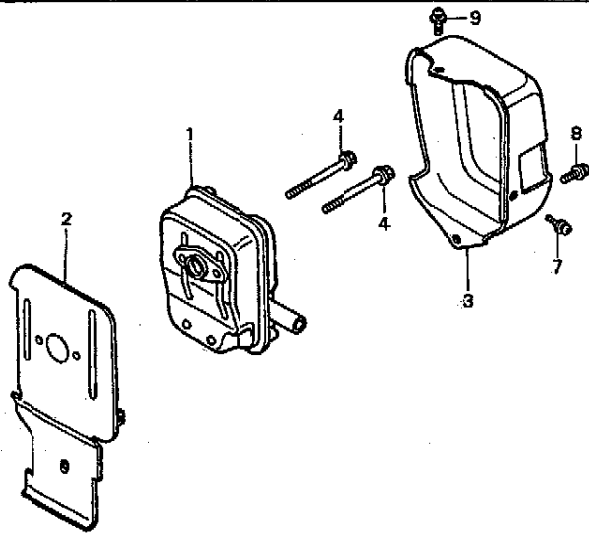


**2**

C 10

Muffler

E-16



Service Item F.R.T.

MUFFLER COMP..... 0.2  
GUIDE, AIR EX.

ZM33-E1600



ZM1E1100

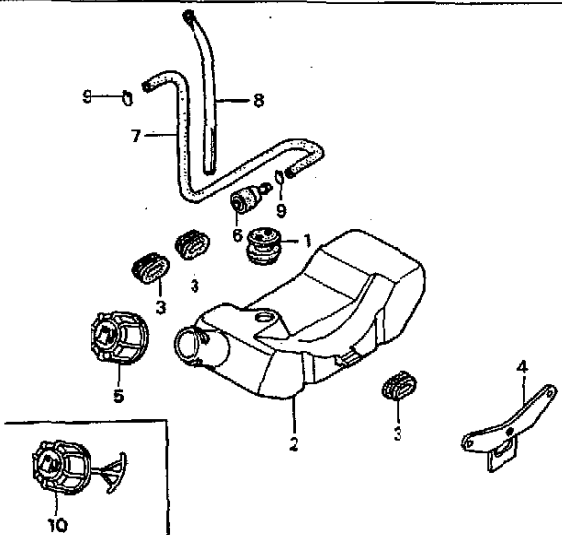
2

Ref. No.	Part No.	Description	Reqd. QTY		Serial No.	Type
			OX	GX		
1	18310-ZM3-000	MUFFLER COMP.....	1	1		
2	18515-ZM3-810	GUIDE, AIR EX.....	1	1	-----	SE,SET
	18515-ZM3-000		1	1	-----	SAU,SAUT,SC,SCT
3	19722-ZM3-000	INNER COVER, TOP.....	1	1		
4	90004-ZM3-000	BOLT, FLANGE, 5X50.....	2	2		
7	93891-05008-00	SCREW-WASHER, 5X8.....	1	1		
8	93894-05010-00	SCREW-WASHER, 5X10.....	1	1		
9	93894-05016-00	SCREW-WASHER, 5X16.....	1	1		

C 11

Fuel tank

E-17



ZM33-B1700A

ZM33-B1700A

Service Item	F.R.T.
GROMMET, FUEL TUBE.....	0-2
TANK, FUEL	
FILTER, FUEL	
TUBE, FUEL	
RUBBER A, TANK MOUNTING.....	0-1
STAY, FUEL TANK	
TUBE, FUEL RETURN	

Ref. No.	Part No.	Description	Reqd. QTY		Serial No.	Type
			GX	GX		
1	17504-ZM3-003	GROMMET, FUEL TUBE.....	1	1		
2	17511-ZM3-003	TANK, FUEL.....	1	-		SAU, SAUT, SC, SCT
	17511-ZM3-003		1	1		SE, SET
3	17511-ZM5-003		-	1		SAU, SAUT, SC, SCT
3	17532-ZM3-000	RUBBER A, TANK MOUNTING.....	3	3		
4	17561-ZM3-000	STAY, FUEL TANK.....	1	1		
5	17620-ZM3-003	CAP ASSY., FUEL TANK.....	1	1		SAU, SAUT, SC, SCT
6	17672-ZM3-003	FILTER, FUEL.....	1	1		
7	17701-ZM3-003	TUBE, FUEL.....	1	1		
8	17702-ZM3-003	TUBE, FUEL RETURN.....	1	1		
9	91401-ZM3-003	CLIP, TUBE.....	2	2		
10	17620-ZM3-811	CAP ASSY., FUEL TANK.....	1	1		SE, SET

1997-08-01

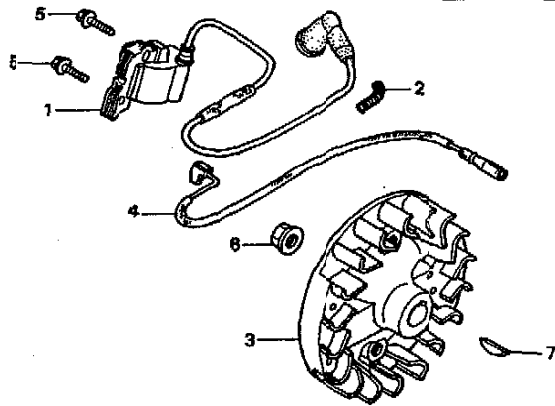
E

2

C 12

Flywheel/Ignition coil

E-19



ZM93-E1900 A



Service Item	F.R.T.
COIL ASSY., IGNITION.....	0.3
FLYWHEEL COMP.	
KEY, WOODRUFF, 16X12	
CORD, STOP SWITCH.....	0.2

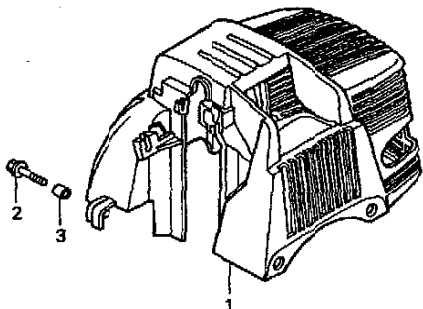
2

Ref. No.	Part No.	Description	Eadd. QTY		Serial No.	Type
			GX	GX		
1	30500-ZM3-003	COIL ASSY., IGNITION.....	1	1		
2	30519-ZM3-000	TUBE A, CORRUGATED (7X18).....	1	1		
3	31110-ZM3-003	FLYWHEEL COMP.....	1	-		
	31110-ZM5-003	.....	-	1		
4	32195-ZM3-000	CORD, STOP SWITCH.....	1	1		
5	93401-05016-00	BOLT-WASHER, 5X16.....	2	2		
6	94050-0800C	NUT, FLANGE, 8MM.....	1	1		
7	94401-1612C	KEY, WOODRUFF, 16X12.....	1	1		

C 13

Cover

E-27



2433-E2700

FR. 27

Service Item	F.R.T.
COVER COMP., TOP.....	0.2

Ref. No.	Part No.	Description	Reqd. QTY		Serial No.	Type
			GX	GX		
1	19720-ZM3-000ZA	COVER COMP., TOP *R8*.....BRIGHT RED	1	1		
2	90112-GK8-010	BOLT, FLANGE, 5X22.....	2	2		
3	91502-ZM3-000	COLLAR, TOP COVER.....	2	2		

1997.08.01 E

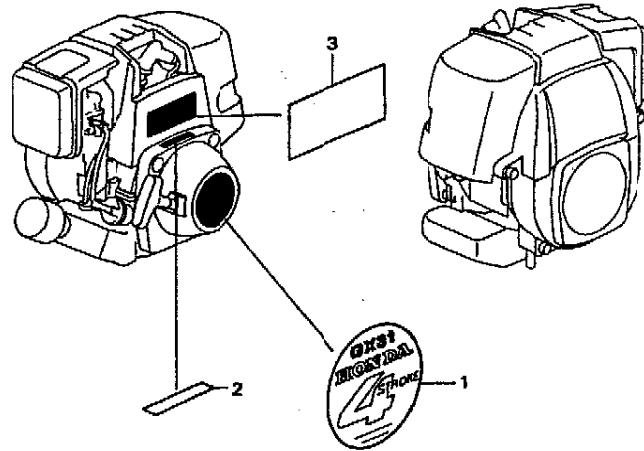
2



C 14

Label

E - 28



ZM33-12800A

Service Item F.R.T.

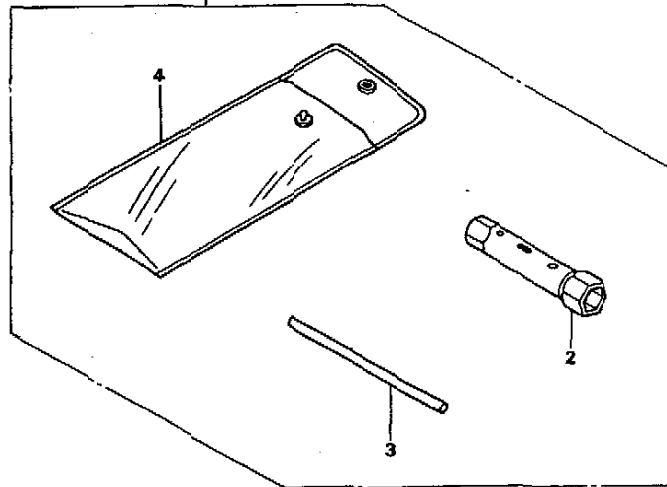
2

Ref. No.	Part No.	Description	Reqd. QTY		Serial No.	Type
			GX 22	GX 31		
1	87521-ZM3-000	EMBLEM (GX22).....	1	-		
	87521-ZM5-000	EMBLEM (GX31).....	-	1		
2	87601-ZM3-810	MARK, TYPE (SE).....	1	1	-----	SE, SET
	87601-ZM3-820	MARK, TYPE (SC).....	1	1	-----	SC, SCT
	87601-ZM3-840	MARK, TYPE (SAU).....	1	1	-----	SAU, SAUT
3	87629-ZM3-820	LABEL, IGNITION NOISE.....	1	1	-----	SC, SCT

C 15

Tool

E - 29



ZM83-E2900

Service Item F.R.T.

Ref. No.	Part No.	Description	Reqd. QTY		Serial No.	Type
			GX	GY		
1	89000-ZM3-000	TOOL KIT.....	(1)	(1)		
2	89216-045-010	WRENCH, SPARK PLUG.....	(1)	(1)		
3	99005-01000	BAR A, HANDLE.....	(1)	(1)		
4	99008-01600	BAG, TOOL, 160MM.....	(1)	(1)		

1997.08.01

E

2