

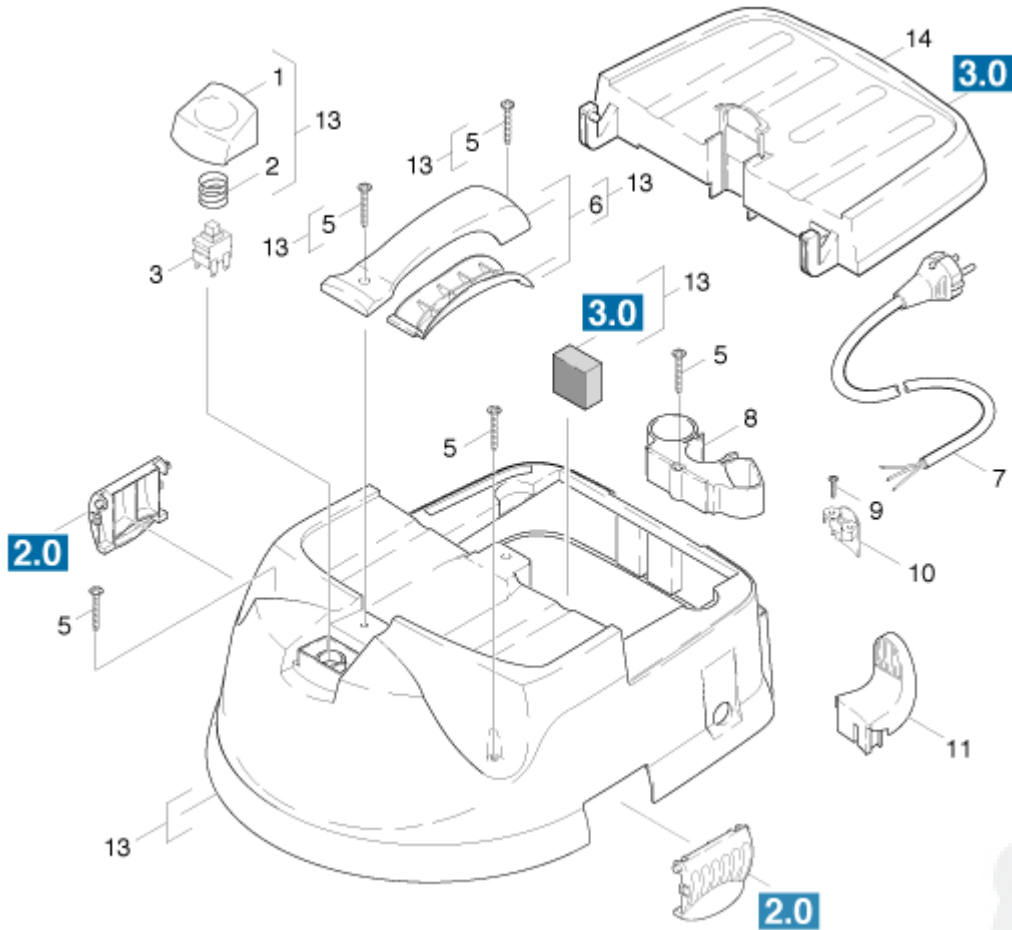
## onderdelenlijst en tekening

5.958-405 /

NT 361 ECO /

1.0 COVER-COMP. PARTS

200740



1	5.324-040.0	CALIPERS	1
2	5.332-457.0	SPRING	1
3	6.630-032.0	SWITCH	1
5	7.303-154.0	SCREW	5
6	4.321-122.0	HANDLE	1
7	6.647-263.0	CABLE	1
	* EUR /		
7	6.647-264.0	CABLE	1
	* GB /		
7	6.647-265.0	CABLE	1
	* CH /		
7	6.647-266.0	CABLE	1
	* AUS /		
7	6.648-233.0	CABLE	1
	* RA /		
8	5.031-603.0	BRACKET	1
9	7.303-129.0	SCREW	2

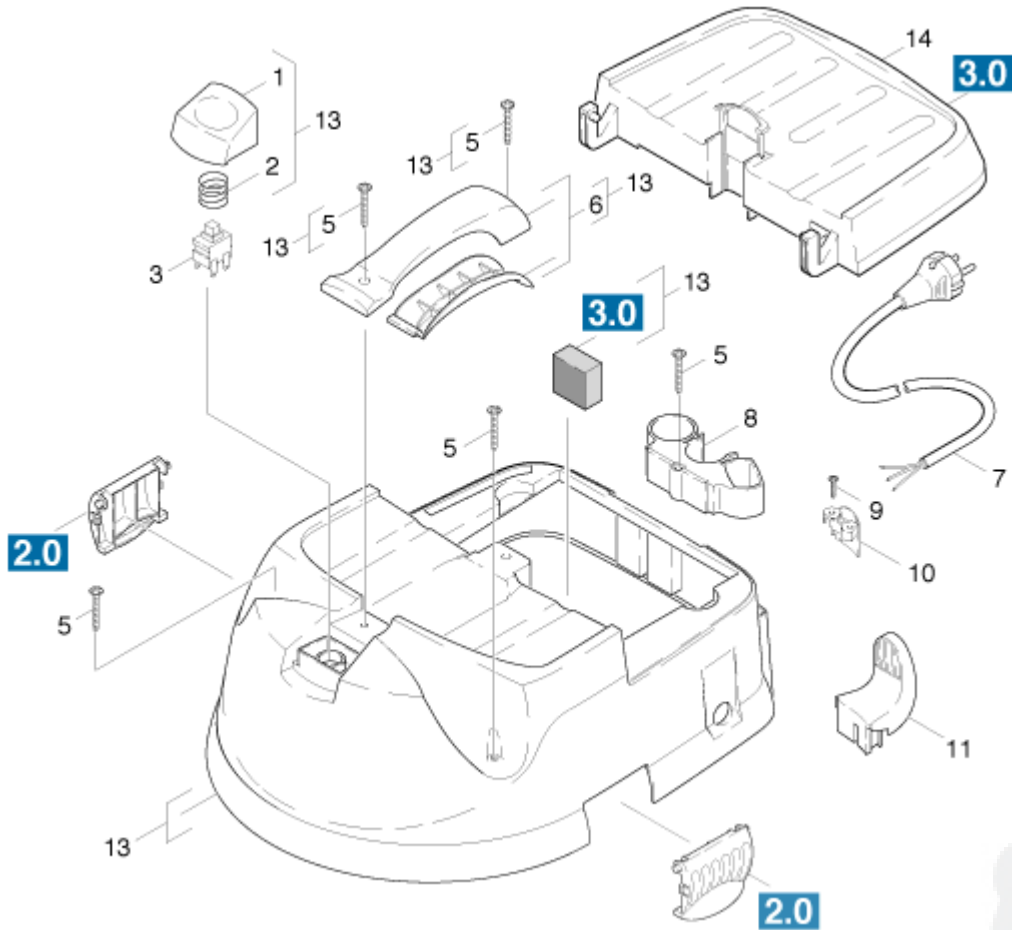
## onderdelenlijst en tekening

5.958-405 /

NT 361 ECO /

1.0 COVER-COMP. PARTS

200740



* RA /		
8	5.031-603.0	BRACKET 1
9	7.303-129.0	SCREW 2
10	5.031-639.0	PULL RELIEF 1
11	5.044-224.0	CABLE HOLDER 1
13	4.066-280.0	COVER 1

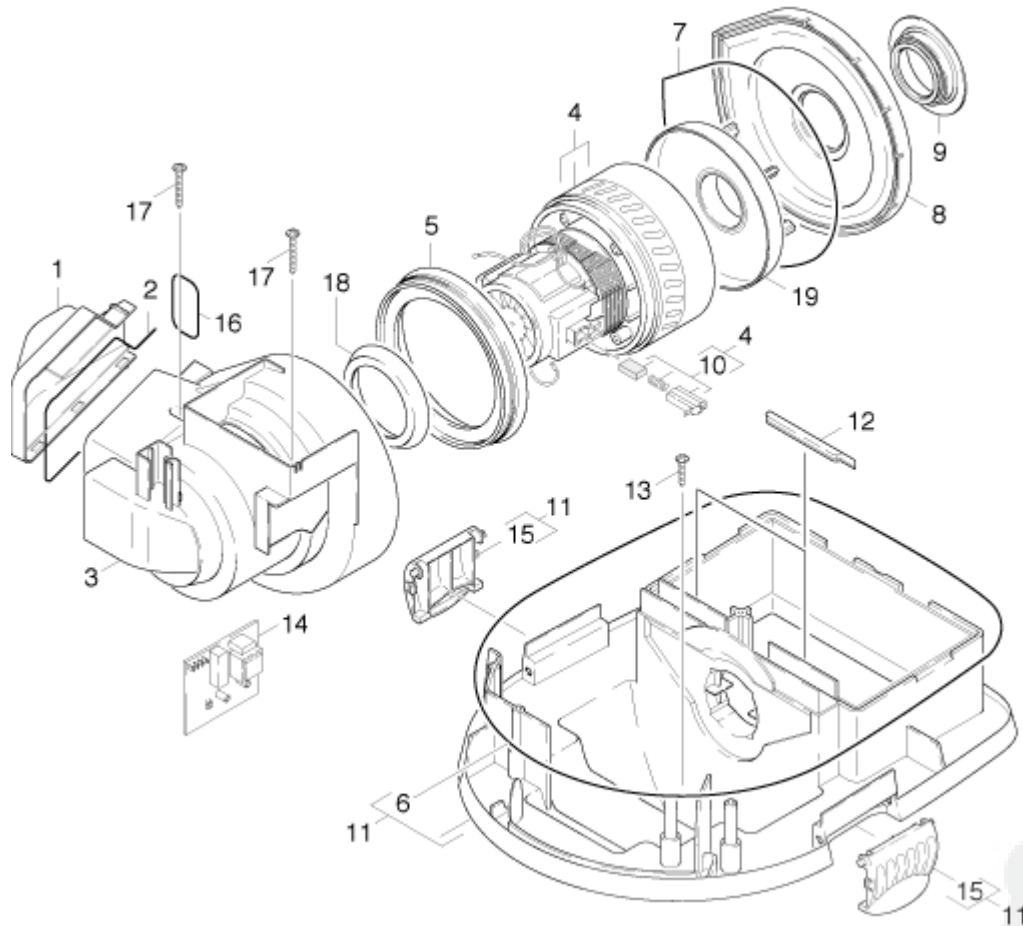
## onderdelenlijst en tekening

5.958-405 /

NT 361 ECO

2/1 VACUUM MOTOR - VERSION 1 /

200740



1	5.063-875.0 COVER	1
2	6.273-122.0 CELLULAR RUBBER TO ORDER AS CUT GOODS	1
3	5.605-237.0 HOUSING	1
4	2.882-515.0 CONVERSION KIT * EUR, CH, RA /	1
4	2.882-516.0 CONVERSION KIT * GB /	1
5	5.363-530.0 SEAL	1
6	6.273-192.0 CELLULAR RUBBER CORD	1
7	6.273-162.0 CELLULAR RUBBER	1
8	5.363-435.0 COVER	1
9	5.363-475.0 SEAL	1
10	6.610-204.0 CARBON BRUSHES	1
11	4.060-441.0 HOUSING	1
12	5.031-626.0 MOULDED PART	2
13	6.610-204.0 CARBON BRUSHES	1
14	6.610-204.0 CARBON BRUSHES	1
15	4.060-441.0 HOUSING	1
16	6.273-122.0 CELLULAR RUBBER	1
17	4.060-441.0 HOUSING	1
18	5.363-530.0 SEAL	1
19	5.363-435.0 COVER	1

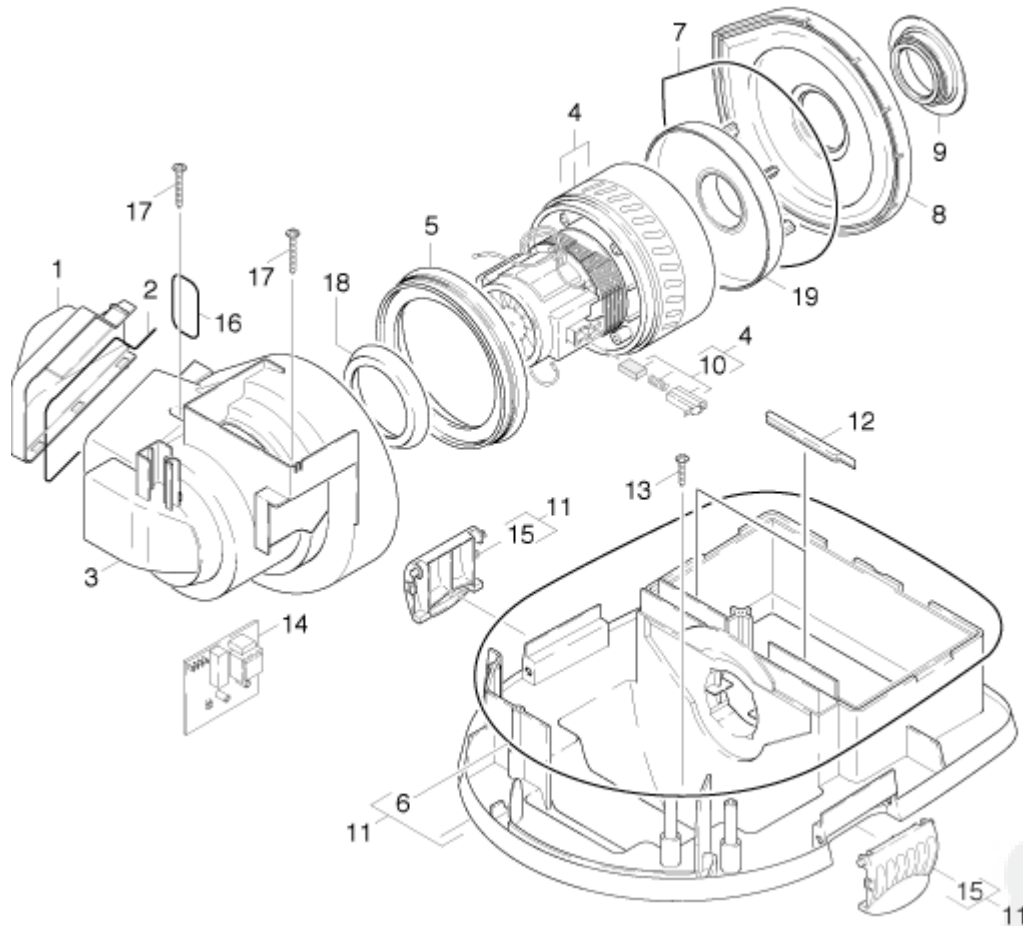
## onderdelenlijst en tekening

5.958-405 /

NT 361 ECO

2/1 VACUUM MOTOR - VERSION 1 /

200740



10	6.610-204.0	CARBON BRUSHES	1
11	4.060-441.0	HOUSING	1
12	5.031-626.0	MOULDED PART	2
13	6.303-306.0	SCREW	1
14	6.682-476.0	ELECTRONICS	1
15	5.031-601.0	LOCKING STRAP	2
16	6.273-193.0	CELLULAR RUBBER CORD	1
17	7.303-111.0	SCREW	2
18	5.363-395.0	SEAL	1
19	5.031-856.0	MOULDED PART	1

## onderdelenlijst en tekening

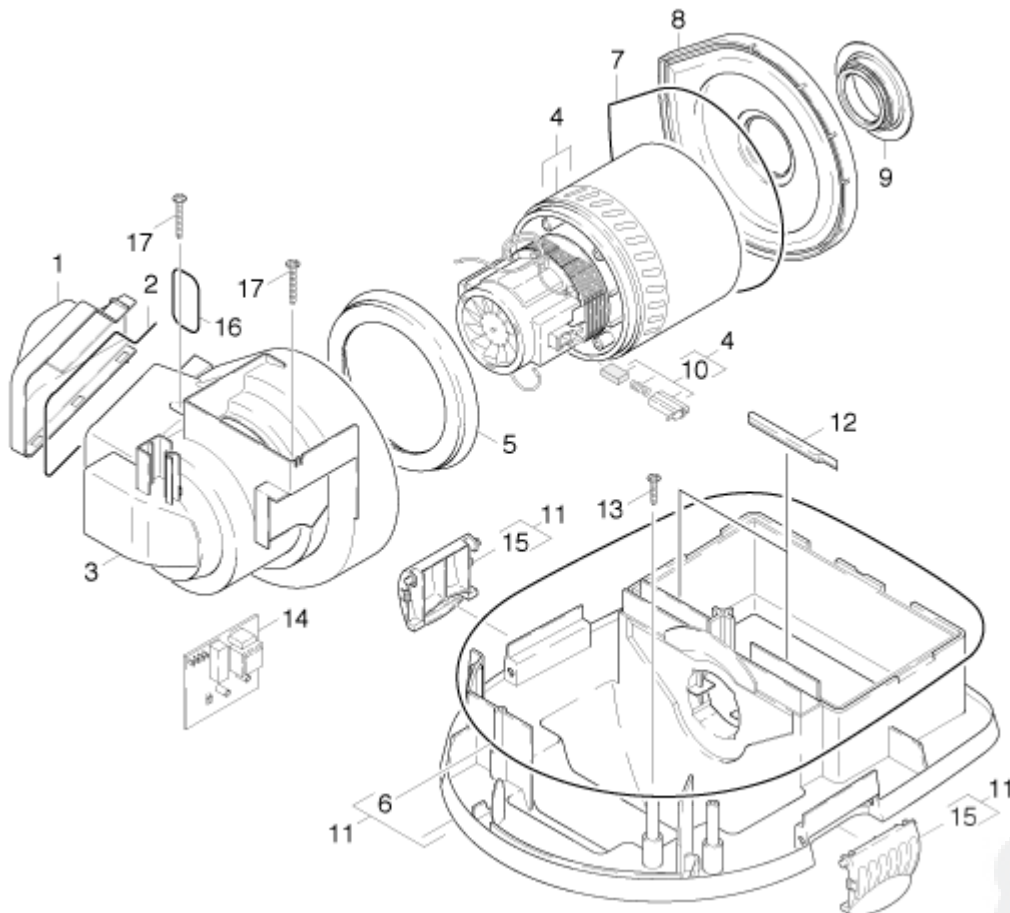
5.958-405

/

NT 361 ECO

2/2 VACUUM MOTOR - VERSION 2 /

200740



1	5.063-875.0	COVER	1
2	6.273-122.0	CELLULAR RUBBER	1
3	5.605-237.0	HOUSING	1
4	6.490-118.0	VACUUM MOTOR	1
		* GB, AUS /	
4	6.490-139.0	VACUUM MOTOR	1
		* EUR, CH, RA /	
5	5.363-393.0	SEAL	1
6	6.273-192.0	CELLULAR RUBBER CORD	1
7	6.273-162.0	CELLULAR RUBBER	1
8	5.363-435.0	COVER	1
9	5.363-475.0	SEAL	1
10	6.610-204.0	CARBON BRUSHES	1
11	4.060-441.0	HOUSING	1
12	5.031-626.0	MOULDED PART	2
13	6.303-306.0	SCREW	1

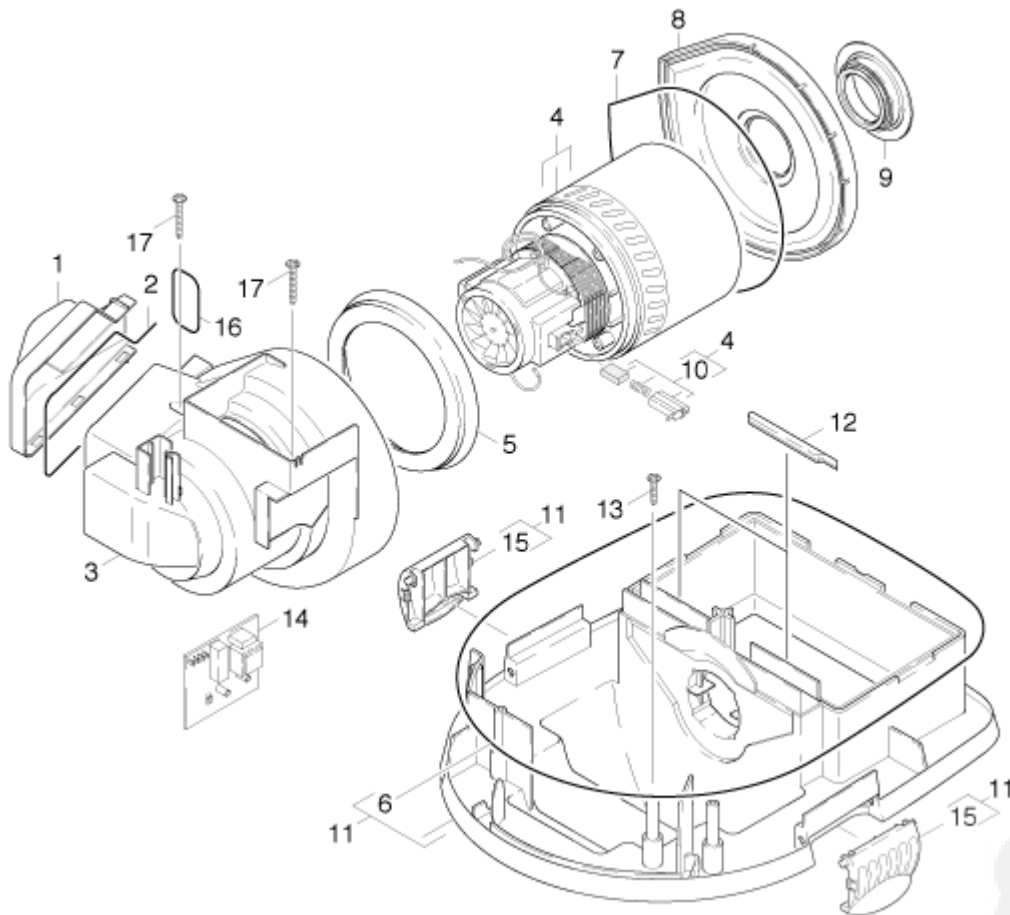
## onderdelenlijst en tekening

5.958-405 /

NT 361 ECO

2/2 VACUUM MOTOR - VERSION 2 /

200740



11	4.060-441.0	HOUSING	1
12	5.031-626.0	MOULDED PART	2
13	6.303-306.0	SCREW	1
14	6.682-476.0	ELECTRONICS	1
15	5.031-601.0	LOCKING STRAP	2
16	6.273-193.0	CELLULAR RUBBER CORD	1
17	7.303-111.0	SCREW	2

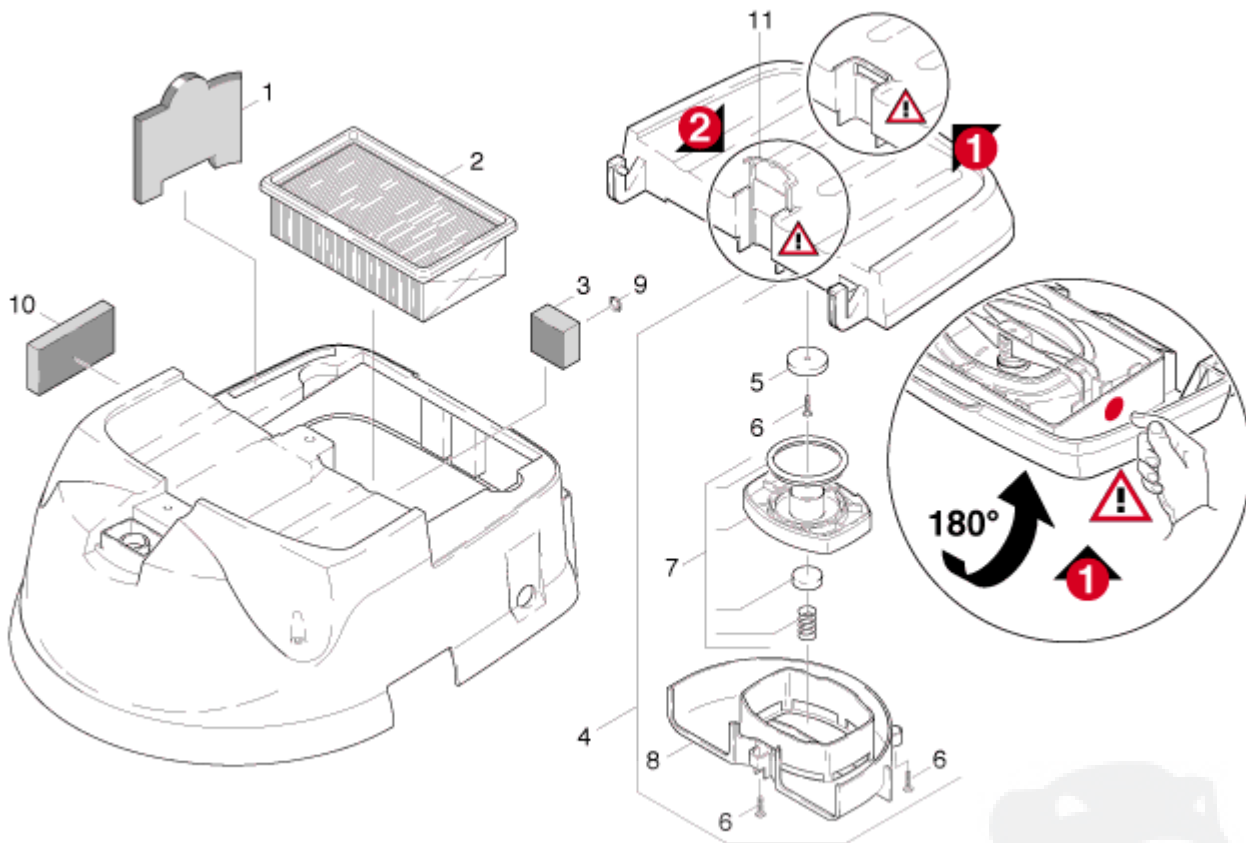
## onderdelenlijst en tekening

5.958-405 /

NT 361 ECO /

3.0 FILTER

200740



1	6.904-215.0	FILTER	1
2	6.904-206.0	FLAT FILTER	1
3	6.904-191.0	FILTER	1
4	4.063-660.0	FILTER COVER	1
	VERSION 1 / / 6.490-106.0 / -107.0 / -118.0		
4	4.063-677.0	FILTER COVER	1
	VERSION 2 / / 6.490-106.0 / -107.0		
4	4.063-679.0	FILTER COVER	1
	/ 6.490-139.0		
5	5.115-840.0	WASHER	1
6	7.303-129.0	SCREW	4
7	2.883-889.0	SPARE PARTS SET	1
	VERSION 1 /		
7	2.883-920.0	SPARE PARTS KIT	1
	VERSION 2 /		
7	2.889-067.0	SPARE PARTS SET	1
	/ 6.490-139.0		

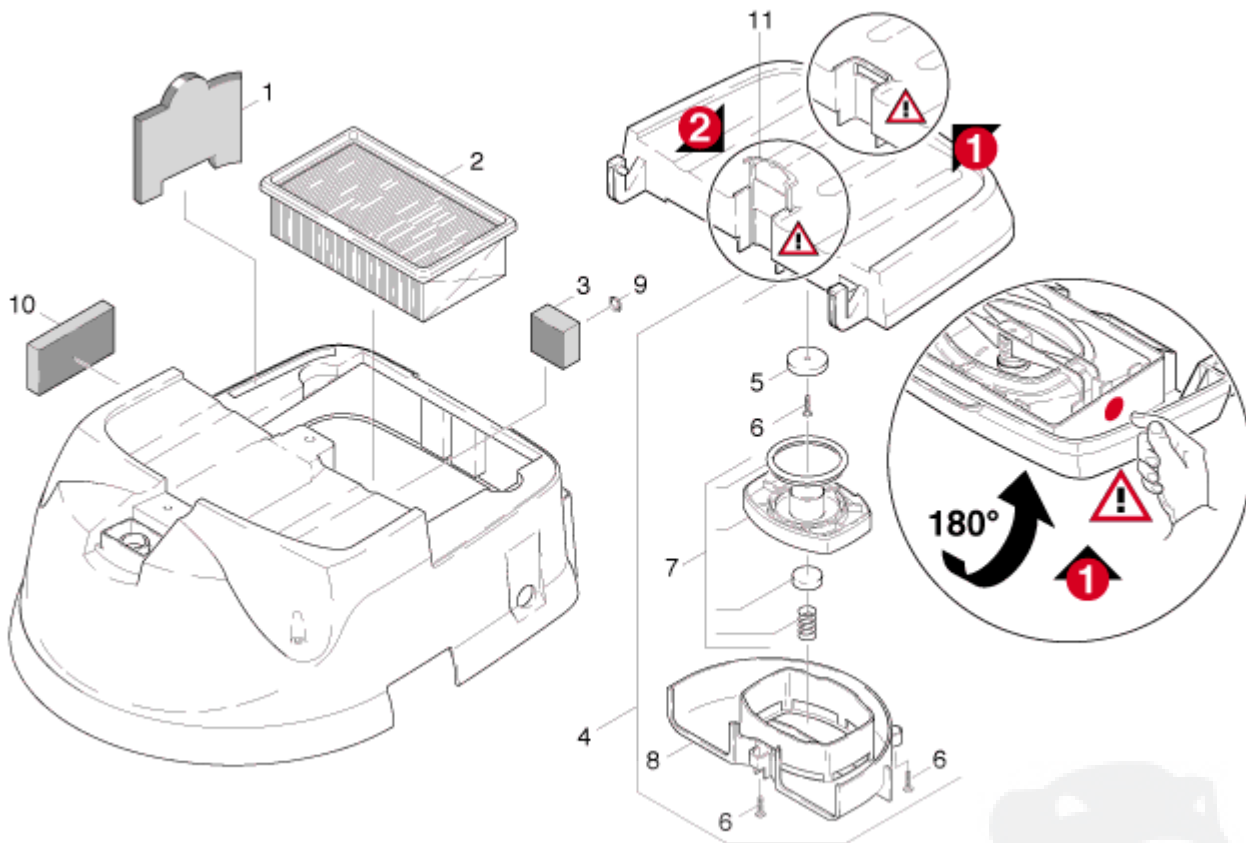
## onderdelenlijst en tekening

5.958-405 /

NT 361 ECO /

3.0 FILTER

200740



VERSION 2 /		
7	2.889-067.0 SPARE PARTS SET / 6.490-139.0	1
8	5.006-043.0 PLATE	1
9	6.343-139.0 LOCK WASHER ORDER ACCORDING TO CONSUMPTION	1
10	6.904-204.0 FILTER	1
11	5.031-899.0 BOLT VERSION 2 /	1



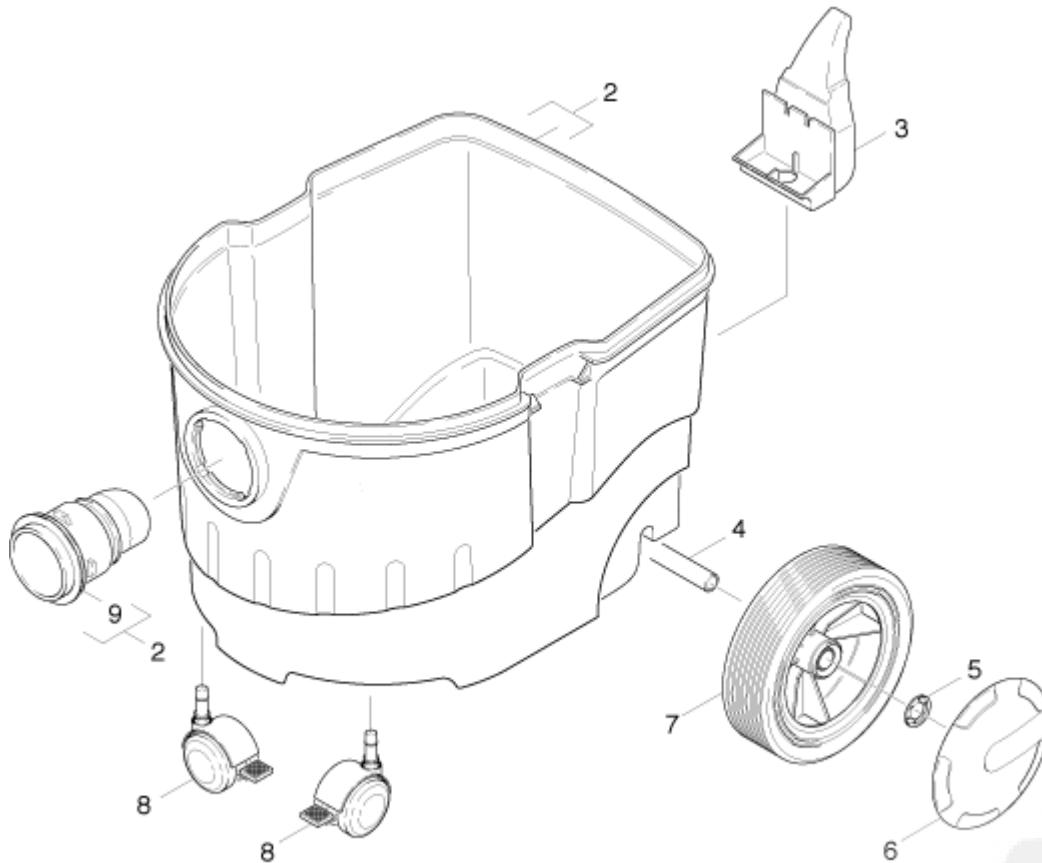
## onderdelenlijst en tekening

5.958-405 /

NT 361 ECO /

4.0 TANK-PIECE PARTS

200740



2	4.070-386.0 TANK	1
3	5.031-604.0 BRACKET	1
4	5.105-300.0 AXLE	1
5	6.343-168.0 LOCK WASHER	2
6	6.435-197.0 WHEEL CAB	2
7	6.435-196.0 WHEEL	2
8	6.435-419.0 DOUBLE CASTOR	2
9	5.031-602.0 SUCTION CONNECTION	1

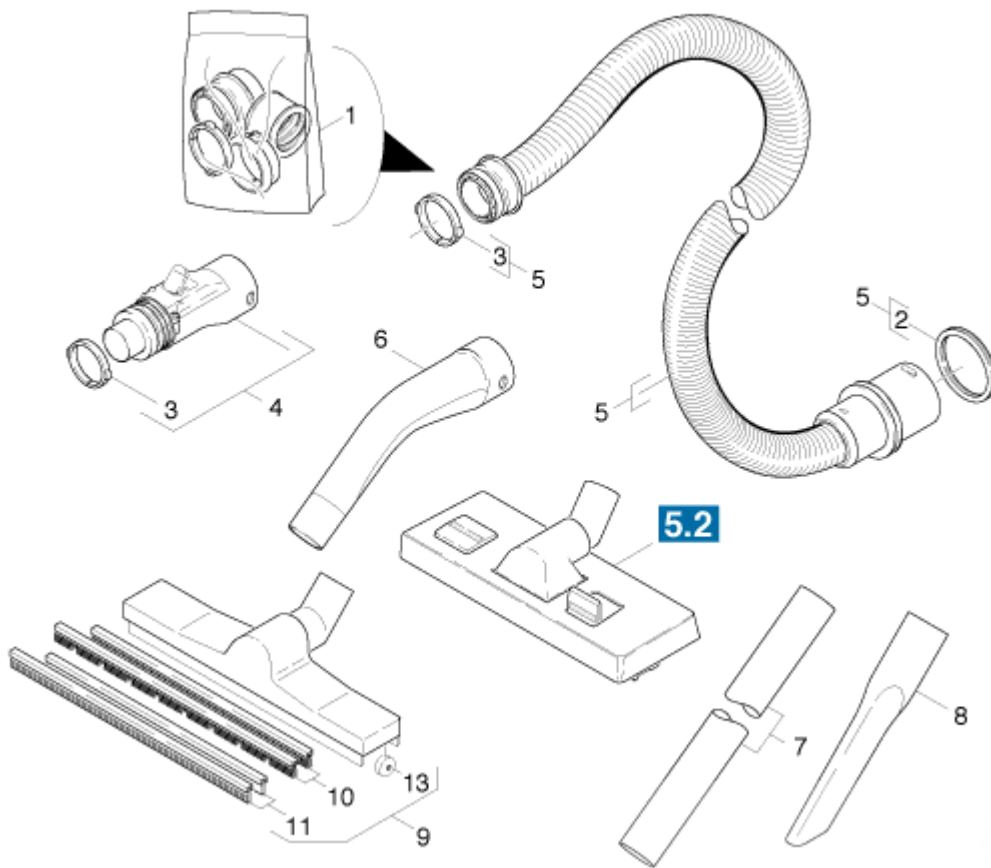
## onderdelenlijst en tekening

5.958-405 /

NT 361 ECO /

5.1 ACCESSORIES

200740



1	2.639-690.0	ADD-ON KIT	1
2	6.273-202.0	CELLULAR RUBBER CORD	1
3	5.031-703.0	TENSION RING	2
4	4.060-420.0	HOUSING	1
5	6.906-208.0	SUCTION HOSE	1
6	5.031-718.0	ELBOW	1
7	6.900-514.0	SUCTION TUBE	1
8	6.900-385.0	CREVICE TOOL	1
9	6.903-284.0	FLOOR TOOL	1
10	6.903-278.0	BRUSH SET	1
11	6.903-277.0	SAUGLEISTENSET	1
12	6.904-210.0	FILTER BAG	1
13	6.435-292.0	ROLLER	2

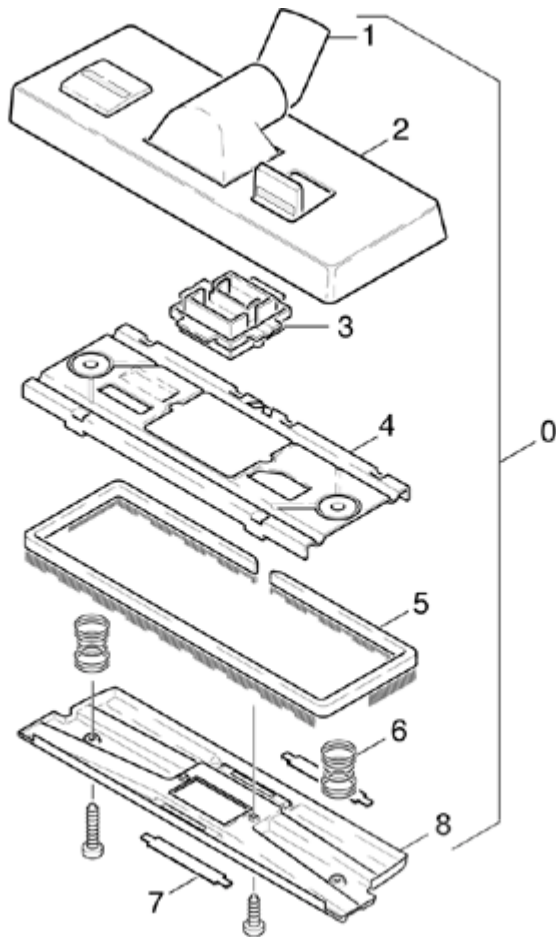
## onderdelenlijst en tekening

5.958-405 /

NT 361 ECO /

5.2 FLOOR TOOL

200740



0	6.900-387.0	FLOOR TOOL	1
1	6.905-411.0	JOINT	1
2	6.905-412.0	TOP PART	1
3	6.905-413.0	SUPPORTING PIECE	1
4	6.905-414.0	PLATE	1
5	6.905-415.0	BRUSH STRIP	1
6	6.905-416.0	DOUBLE CONE. WIRE SPRING	2
7	6.905-417.0	THREAD CLIPPER	2
8	6.905-418.0	BOTTOM	1