

**Ersatzteilliste
Spare Parts List
Liste des pièces de rechange**

KMR-TRAC

1.039-104.0 KMR TRAC



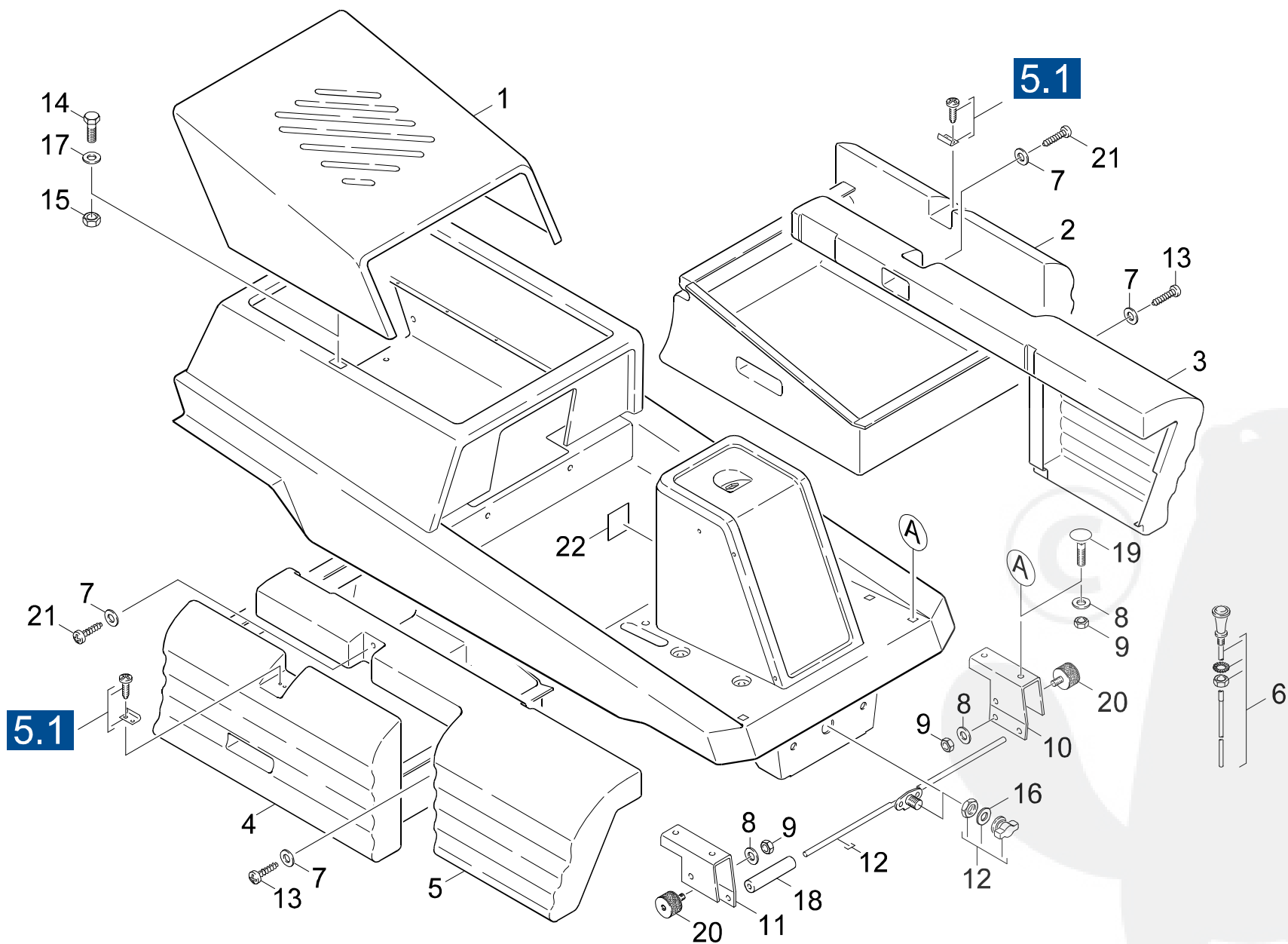
GRUPPE: 1.0 GRUNDRAHMEN
GROUP: 1.0 BASE FRAME
GRUPPE: 1.0 CADRE



GRUPPE: 1.1 VERKLEIDUNG / VERS. 1 /
GROUP: 1.1 COVER / VERS. 1 /
GRUPPE: 1.1 CARROSSAGE / VERS. 1 /

B1

KMR-TRAC



Symbolbeschreibung siehe M16 / symbol description see M16 / désignation de système voir M16 /

GRUPPE: 1.1 VERKLEIDUNG / VERS. 1 /
GROUP: 1.1 COVER / VERS. 1 /
GROUPE: 1.1 CARROSSAGE / VERS. 1 /

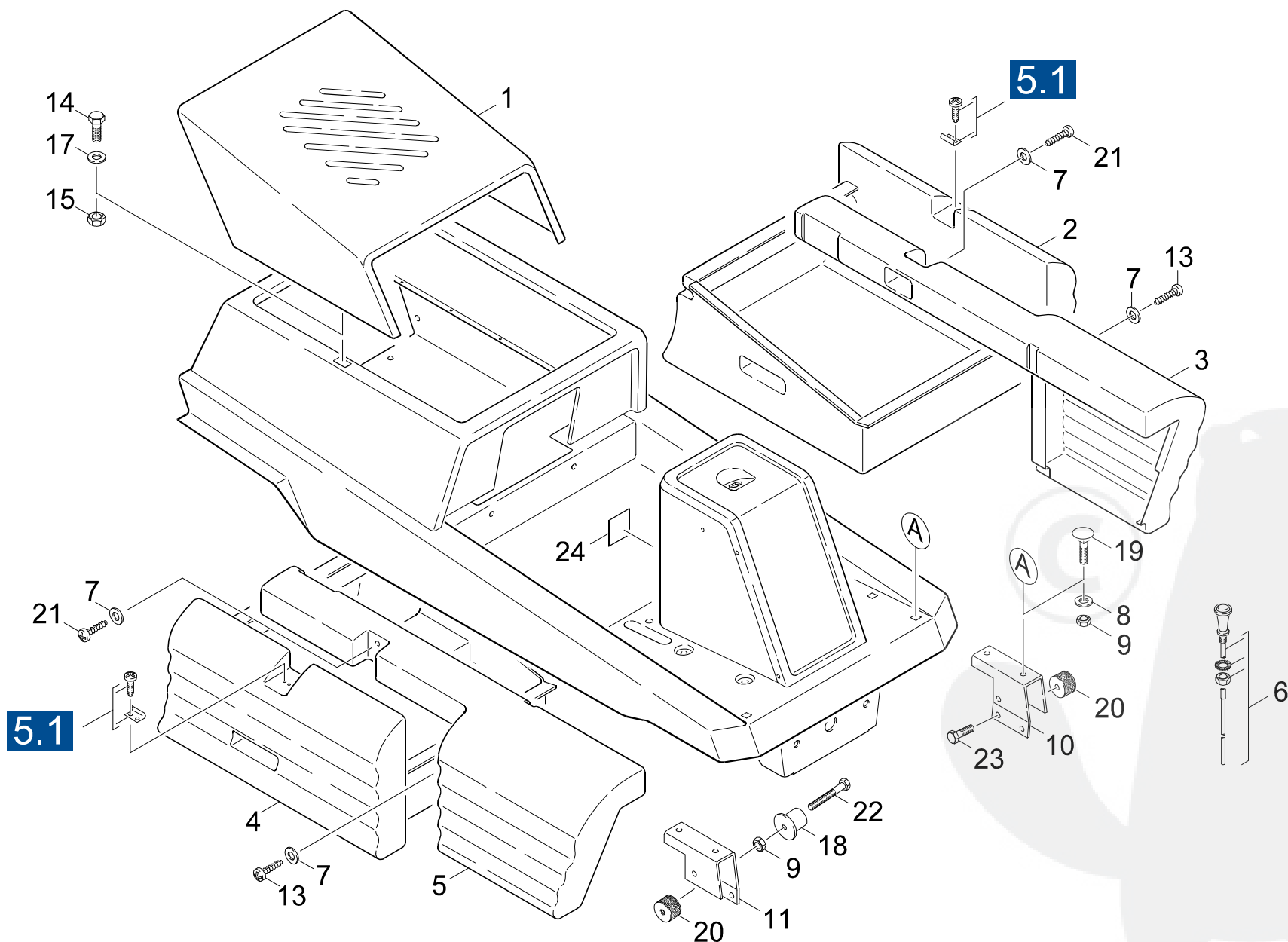
C1

KMR-TRAC

POS. ITM. POS.	BENNENUNG DESCRIPTION DESIGNATION	TEILE-NR. PART-NO. NO.PIECE	STCK QTY. NBR.
1	HAUBE / COVER / CAPOT	6.970-001.0	1
2	KEHRBEHAELTER LI / SWEEP TANK / BAC BALAYER	5.031-205.0	1
3	VERKLEIDUNG LINKS / COVER / CARROSSAGE	5.031-211.0	1
4	KEHRBEHAELTER RE / SWEEP TANK / BAC BALAYER	5.031-204.0	1
5	VERKLEIDUNG RECHTS / COVER / CARROSSAGE	5.031-380.0	1
6	BOWDENZUG / BOWDEN WIRE / CABLE SOUS GAINE	6.431-128.0	1
	FETT-SPRAY FUER BOWDENZUG DOSE 400 ML 6.288-107/GREASE SPRAY FOR BOWDEN WIRE 400 ML TIN 6.288-107/GRAISSE POUR CABLE SOUS GAINE 400 ML BOITE 6.288-107		
7	SCHEIBE 4 / WASHER / RONDELLE	7.312-281.0	4
8	SCHEIBE 8 / WASHER / RONDELLE	7.312-004.0	3
9	6KT-MUTTER M 8 / HEXAGON NUT / ECROU HEXAGONAL	7.311-427.0	3
10	U-PROFIL / U-PROFILE / PROFILE EN U	6.970-002.0	1
11	U-PROFIL / U-PROFILE / PROFILE EN U	6.970-003.0	1
12	VORREIBER MIT GRIFF / SASH FASTENER / TOURNIQUET	6.375-224.0	1
13	SCHRAUBE 3,5X14 / SCREW / VIS	6.303-175.0	4
14	SCHRAUBE M 6X 16 / SCREW / VIS	7.306-090.0	2
15	KAFIGMUTTER M 6 / NUT / ECROU	6.310-020.0	2
16	SCHEIBE 22 / WASHER / RONDELLE	7.312-024.0	2
17	SCHEIBE 6 / WASHER / RONDELLE	7.312-003.0	4
18	ROHR / PIPE / TUYAU	5.028-972.0	1
19	6KT-SCHR. M 8X 20 / HEXAGONAL HEAD SCREW / VIS HEXAGONAL	7.304-397.0	2
20	HANDGRIFF / HANDLE / POIGNEE	6.905-930.0	1
21	GUMMIPUFFER / RUBBER BUFFER / BUTOIR CAOUTCHOUC	6.339-079.0	2
22	HINWEISSCHILD / INFORMATION SIGN / PLAQUE INDICATRICE	5.383-184.0	1



"=> xxxxxx" = bis Werknummer / up to serial No. / jusqu' au No. de fabr. / "xxxxxx =>" = ab Werknummer / from serial No. / a partir du No. de fabr. /



Symbolbeschreibung siehe M16 / symbol description see M16 / désignation de système voir M16 /

GRUPPE: 1.2 VERKLEIDUNG / VERS. 2 /
GROUP: 1.2 COVER / VERS. 2 /
GRUPPE: 1.2 CARROSSAGE / VERS. 2 /

E1

KMR-TRAC

POS. ITM. POS.	BENNENNUNG DESCRIPTION DESIGNATION	TEILE-NR. PART-NO. NO.PIECE	STCK QTY. NBR.
1	HAUBE / COVER / CAPOT	6.970-001.0	1
2	KEHRBEHAELTER LI / SWEEP TANK / BAC BALAYER	5.031-205.0	1
3	VERKLEIDUNG LINKS / COVER / CARROSSAGE	5.031-379.0	1
4	KEHRBEHAELTER RE / SWEEP TANK / BAC BALAYER	5.031-204.0	1
5	VERKLEIDUNG RECHTS / COVER / CARROSSAGE	5.031-380.0	1
6	BOWDENZUG / BOWDEN WIRE / CABLE SOUS GAINE	6.431-128.0	1
7	SCHEIBE 4 / WASHER / RONDELLE	7.312-281.0	4
8	SCHEIBE 8 / WASHER / RONDELLE	7.312-004.0	2
9	6KT-MUTTER M 8 / HEXAGON NUT / ECROU HEXAGONAL	7.311-004.0	3
10	U-PROFIL / U-PROFILE / PROFILE EN U	6.970-002.0	1
11	U-PROFIL / U-PROFILE / PROFILE EN U	6.970-003.0	1
13	SCHNEIDSCHR. M4X 12 / SELF-TAPPING SCREW / VIS AUTOTARAUEUSE	7.303-507.0	2
14	SCHRAUBE M 6X 16 / SCREW / VIS	7.306-090.0	2
15	KAFIGMUTTER M 6 / NUT / ECROU	6.310-020.0	2
17	SCHEIBE 6 / WASHER / RONDELLE	7.312-003.0	4
18	ROHR / PIPE / TUYAU	5.029-272.0	1
19	6KT-SCHR. M 8X 20 / HEXAGONAL HEAD SCREW / VIS HEXAGONAL	7.304-397.0	2
20	GUMMIPUFFER / RUBBER BUFFER / BUTOIR CAOUTCHOUC	6.339-161.0	2
21	SCHNEIDSCHR. M4X 25 / SELF-TAPPING SCREW / VIS AUTOTARAUEUSE	7.303-508.0	2
22	6KT-SCHR. M 8X 50 / HEXAGONAL HEAD SCREW / VIS HEXAGONAL	7.304-102.0	1
23	6KT-SCHR. M 8X 12 / HEXAGONAL HEAD SCREW / VIS HEXAGONAL	7.304-394.0	1
24	HINWEISSCHILD / INFORMATION SIGN / PLAQUE INDICATRICE	5.383-184.0	1

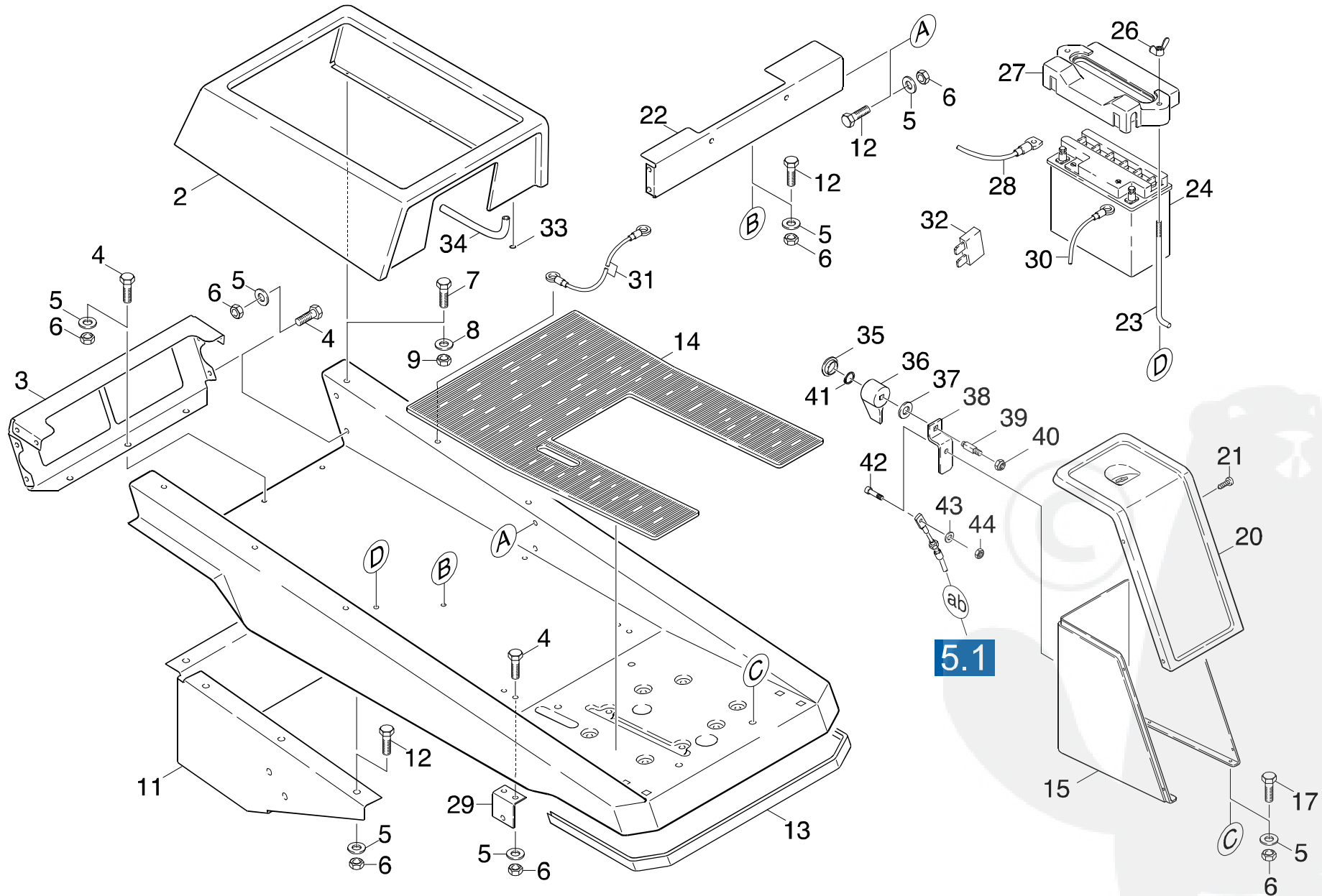


"=> xxxxxx" = bis Werknummer / up to serial No. / jusqu' au No. de fabr. / "xxxxxx =>" = ab Werknummer / from serial No. / a partir du No. de fabr. /

GRUPPE: 1.3 RAHMEN
GROUP: 1.3 FRAME
GROUPE: 1.3 CADRE

F1

KMR-TRAC



Symbolbeschreibung siehe M16 / symbol description see M16 / désignation de système voir M16 /

GRUPPE: 1.3 RAHMEN
 GROUP: 1.3 FRAME
 GROUPE: 1.3 CADRE

G1

KMR-TRAC

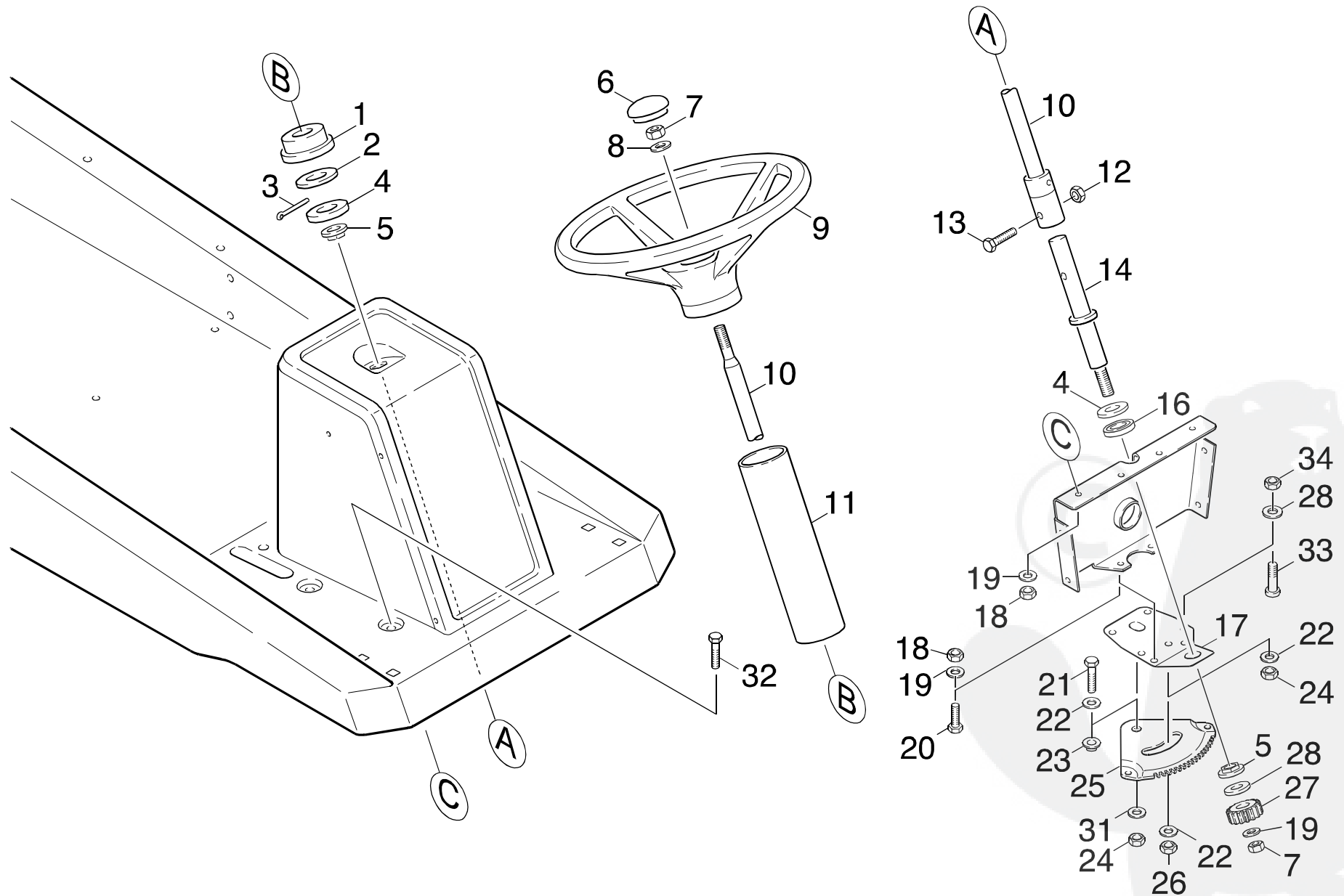
POS. ITM. POS.	BENNENNUNG DESCRIPTION DESIGNATION	TEILE-NR. PART-NO. NO.PIECE	STCK QTY. NBR.	POS. ITM. POS.	BENNENNUNG DESCRIPTION DESIGNATION	TEILE-NR. PART-NO. NO.PIECE	STCK QTY. NBR.
2	HAUBE -MOTOR / COVER / CAPOT	6.970-004.0	1	42	ZYL.SCHR. M 5X 25 / CHEESE HEAD SCREW / VIS A TETE CYLINDR.	7.306-161.0	1
3	RAHMEN QUERSTEG H. / FRAME / CADRE	6.970-005.0	1	43	SCHEIBE 5 / WASHER / RONDELLE	7.312-002.0	1
4	6KT-SCHRAUBE 5/16" / HEXAGONAL HEAD SCREW / VIS HEXAGONAL	6.304-086.0	11	44	6KT-MUTTER M 5 / HEXAGON NUT / ECROU HEXAGONAL	7.311-421.0	1
5	FEDERRING B 8 / SPRING WASHER / RONDELLE GROWER	7.313-004.0	29				
6	6KT-MUTTER 5/16"-18 / HEXAGON NUT / ECROU HEXAGONAL	6.310-075.0	29				
7	6KT-SCHR. 1/4-20 / HEXAGONAL HEAD SCREW / VIS HEXAGONAL	6.970-123.0	6				
8	FEDERRING B 6 / SPRING WASHER / RONDELLE GROWER	7.313-003.0	6				
9	6KT-MUTTER 1/4-20 / HEXAGON NUT / ECROU HEXAGONAL	6.970-116.0	6				
11	AUFLAGER -TRANSAXLE / SUPPORT / SUPPORT	6.970-007.0	1				
12	6KT-SCHRAUBE / HEXAGONAL HEAD SCREW / VIS HEXAGONAL	6.304-068.0	11				
13	KANTENSCHUTZ / SHEATING / BORD DE PROTECTION	6.970-008.0	1				
14	GUMMIMATTE / RUBBER MATING / TAPIS DE CAOUTCHOUC	6.970-009.0	1				
15	GEHAEUSE -LENKUNG / HOUSING / BOITIER	6.970-010.0	1				
17	6KT-SCHR. 5/16-18 / HEXAGONAL HEAD SCREW / VIS HEXAGONAL	6.970-124.0	5				
20	ABDECKUNG -LENKUNG / COVER / CHAPEAU	6.970-011.0	1				
21	BL.SCHR. ST4,8X16 / SHEET METAL SCREW / VIS A TOLE	7.303-077.0	6				
22	TRAEGER -SITZ / CARRIER / LONGERON	6.970-012.0	1				
23	STANGE -BATTERIE / BAR / TIGE	6.970-013.0	2				
24	BATTERIE 12V / BATTERY / BATTERIE	6.970-147.0	1				
26	FLUEGELMUTTER 1/4 / WING NUT / ECROU A OREILLES	6.970-125.0	2				
27	ABDECKUNG -BATTERIE / COVER / CHAPEAU	6.970-014.0	1				
28	KABEL -POL - ANLASS / CABLE / CABLE	6.970-015.0	1				
29	WINKEL -KEHRKASTEN / ANGLE / ANGLE	6.970-158.0	2				
30	KABEL +POL - RELAIS / CABLE / CABLE	6.970-170.0	1				
31	KABEL -MASSE / CABLE / CABLE	6.970-171.0	1				
32	SICHERUNGSEINS C7,5 / FUSE INSERT / CARTOUCHE FUSIBLE	7.644-007.0	2				
33	O-RING 4,0 X 2,0 / GASKET / BAQUE D'ETANCHEITE	6.362-366.0	1				
34	SCHLAUCH DN 7 / HOSE / TUYAU FLEXIBLE	6.388-225.0	1				
35	STOPFEN / PLUG / BOUCHON	5.132-010.0	1				
36	GRIFF / HANDLE / POIGNEE	5.321-190.0	1				
37	SCHEIBE 10 / WASHER / RONDELLE	7.312-005.0	1				
38	HEBEL / LEVER / LEVIER	5.047-081.0	1				
39	ACHSE / AXLE / ESSIEU	5.105-155.0	1				
40	6KT-MUTTER M 6 / HEXAGON NUT / ECROU HEXAGONAL	7.311-425.0	1				
41	S-SCHEIBE 4 / LOCK WASHER / RONDELLE D'ARRET	7.343-203.0	1				



"=> xxxxxx" = bis Werknummer / up to serial No. / jusqu' au No. de fabr. / "xxxxxx =>" = ab Werknummer / from serial No. / a partir du No. de fabr. /

GRUPPE: 2.0 LENKUNG
GROUP: 2.0 STEERING
GRUPPE: 2.0 COMMANDE





Symbolbeschreibung siehe M16 / symbol description see M16 / désignation de système voir M16 /

GRUPPE: 2.1 LENKSAEULE
 GROUP: 2.1 STEERING PILLAR
 GROUPE: 2.1 COLLONNE DE DIRECTION

C2

KMR-TRAC

POS. ITM. POS.	BENNENUNG DESCRIPTION DESIGNATION	TEILE-NR. PART-NO. NO.PIECE	STCK QTY. NBR.
1	DISTANZHUELSE -LENK / SPACER SLEEVE / ENTRETOISE	6.970-016.0	1
2	SCHEIBE 0.64"X1.5" / WASHER / RONDELLE	6.970-114.0	1
3	SPLINT 3,2X 25 / COTTER / GOUPILLE FENDUE	7.316-347.0	1
4	SCHEIBE 0.635X1.24 / WASHER / RONDELLE	6.970-115.0	2
5	FLANSCHLAGER / FLANGED BEARING / FLASQUE-BRIDE	6.970-017.0	1
6	KAPPE / CAP / CAPUCHON	6.970-018.0	1
7	6KT-MUTTER 5/16-24 / HEXAGON NUT / ECROU HEXAGONAL	6.970-112.0	2
8	SCHEIBE 8 / WASHER / RONDELLE	7.312-277.0	1
9	LENKRAD / STEERING WHEEL / VOLANT	6.970-019.0	1
10	STANGE -LENKUNG / BAR / TIGE	6.970-020.0	1
11	ROHR - LENKUNG / PIPE / TUYAU	6.970-021.0	1
12	6KT-MUTTER 1/4-20 / HEXAGON NUT / ECROU HEXAGONAL	6.970-116.0	1
13	6KT-SCHR. 1/4-20 / HEXAGONAL HEAD SCREW / VIS HEXAGONAL	6.970-117.0	1
14	ROHR - LENKUNG / PIPE / TUYAU	6.970-022.0	1
16	SCHEIBE / WASHER / RONDELLE	6.970-118.0	1
17	AUFLAGER -LENKGETR. / SUPPORT / SUPPORT	6.970-023.0	1
18	6KT-MUTTER 5/16"-18 / HEXAGON NUT / ECROU HEXAGONAL	6.310-075.0	6
19	FEDERRING B 8 / SPRING WASHER / RONDELLE GROWER	7.313-004.0	7
20	SCHRAUBE / SCREW / VIS	6.304-047.0	2
21	6KT-SCHR. 3/8-24 / HEXAGONAL HEAD SCREW / VIS HEXAGONAL	6.970-119.0	1
22	SCHEIBE 10 / WASHER / RONDELLE	7.312-005.0	3
23	BUNDBUCHSE / BUSHING / DOUILLE	6.970-120.0	1
24	6KT-MUTTER 3/8-24 / HEXAGON NUT / ECROU HEXAGONAL	6.970-121.0	3
25	ZAHNSEGMENT -LENK. / RACK SEGMENT / SEGMENTAIRE PAR ENGRENAGE	6.970-024.0	1
26	6KT-MUTTER 3/8-24 / HEXAGON NUT / ECROU HEXAGONAL	6.970-122.0	1
27	ZAHNRAD / GEAR WHEEL / ROUE DENTEE	6.970-301.0	1
28	SCHEIBE 12 / WASHER / RONDELLE	7.312-008.0	3
31	SCHEIBE 10 / WASHER / RONDELLE	7.312-262.0	2
32	RINGSCHRAUBE M8X 60 / EYE SCREW / VIS	6.303-068.0	2
33	BOLZEN -NYLON / BOLT / BOULON	6.970-149.0	2
34	6KT MUTTER 1/2-13 / HEXAGON / HEXAGONAL	6.970-150.0	2

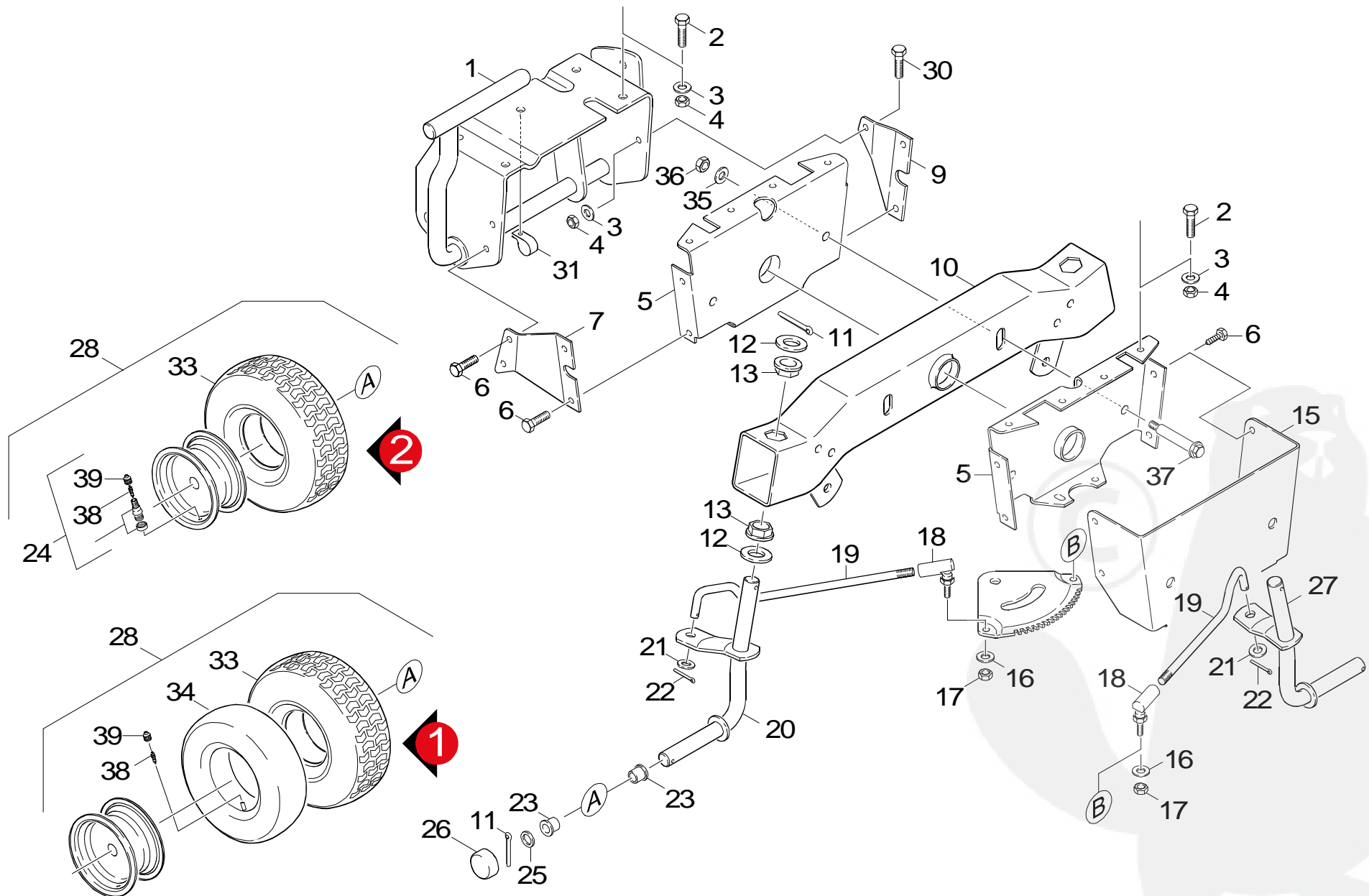


"=> xxxxxx" = bis Werknummer / up to serial No. / jusqu' au No. de fabr. / "xxxxxx =>" = ab Werknummer / from serial No. / a partir du No. de fabr. /

GRUPPE: 2.2 ACHSE
GROUP: 2.2 AXLE
GRUPPE: 2.2 ESSIEU

D2

KMR-TRAC



Symbolbeschreibung siehe M16 / symbol description see M16 / désignation de système voir M16 /

GRUPPE: 2.2 ACHSE
GROUP: 2.2 AXLE
GROUPE: 2.2 ESSIEU

E2

KMR-TRAC

POS. ITM. POS.	BENNENUNG DESCRIPTION DESIGNATION	TEILE-NR. PART-NO. NO.PIECE	STCK QTY. NBR.
1	PEDAL -BAUGRUPPE / PEDAL / PEDALE	6.970-026.0	1
2	6KT-SCHR. 5/16-18 / HEXAGONAL HEAD SCREW / VIS HEXAGONAL	6.970-124.0	4
3	FEDERRING B 8 / SPRING WASHER / RONDELLE GROWER	7.313-004.0	5
4	6KT-MUTTER 5/16"-18 / HEXAGON NUT / ECROU HEXAGONAL	6.310-075.0	5
5	LAGERBOCK / BEARING BLOCK / SELLE D'APPUI	6.970-182.0	2
6	6KT-SCHR. 1/4X0.62 / HEXAGONAL HEAD SCREW / VIS HEXAGONAL	6.970-126.0	4
7	STUETZE -BLECH / STAY / SUPPORT	6.970-028.0	1
9	STUETZE -BLECH / STAY / SUPPORT	6.970-029.0	1
10	TRAEGER / CARRIER / LONGERON	6.970-181.0	1
11	SPLINT 3,2X 32 / COTTER / GOUPILLE FENDUE	7.316-345.0	4
12	SCHEIBE 17 / WASHER / RONDELLE	7.312-154.0	4
13	FLANSCHLAGER / FLANGED BEARING / FLASQUE-BRIDE	6.970-017.0	4
15	ABDECKUNG -LENKUNG / COVER / CHAPEAU	6.970-031.0	1
16	FEDERRING B 10 / SPRING WASHER / RONDELLE GROWER	7.313-005.0	2
17	6KT-MUTTER 3/8-24 / HEXAGON NUT / ECROU HEXAGONAL	6.970-121.0	2
18	KUGELGELENK / GLOBE JOINT / ROTULE	6.970-032.0	2
19	SPURSTANGE / STEERING TRACK ROD / BARRE D#ACOUPLEMENT	6.970-033.0	2
20	ACHSE -VORDERRAD RE / AXLE / ESSIEU	6.970-034.0	1
21	SCHEIBE 10 / WASHER / RONDELLE	7.312-005.0	2
22	SPLINT 3,2X 25 / COTTER / GOUPILLE FENDUE	7.316-347.0	2
23	BUNDBUCHSE / BUSHING / DOUILLE	6.970-035.0	4
24	VENTIL / VALVE / SOUPAPE	6.970-061.0	2
25	SCHEIBE 0.64"X1.5" / WASHER / RONDELLE	6.970-114.0	2
26	KAPPE / CAP / CAPUCHON	6.970-036.0	2
27	ACHSE -VORDERRAD LI / AXLE / ESSIEU	6.970-037.0	1
28	RAD KPL. VORNE / WHEEL / ROUE	6.970-197.0	2
30	6KT-SCHRAUBE / HEXAGONAL HEAD SCREW / VIS HEXAGONAL	6.304-068.0	1
31	SCHELLE / CLAMP / COLLIER	6.970-148.0	3
33	REIFEN VORNE / TIRE / PNEUS	6.970-154.0	2
34	SCHLAUCH 11X4.00X5 / HOSE / TUYAU FLEXIBLE	6.970-176.0	2
35	SCHEIBE 10 / WASHER / RONDELLE	7.312-285.0	2
36	6KT-MUTTER 3/8-16 / HEXAGON NUT / ECROU HEXAGONAL	6.970-133.0	2
37	SCHRAUBE / SCREW / VIS	6.970-195.0	2
38	VENTIL / VALVE / SOUPAPE	6.412-709.0	2
39	VENTILKAPPE / VALVE CAP / CAPUCHON DE VALVE	6.412-710.0	2



"=> xxxxxx" = bis Werknummer / up to serial No. / jusqu' au No. de fabr. / "xxxxxx =>" = ab Werknummer / from serial No. / a partir du No. de fabr. /

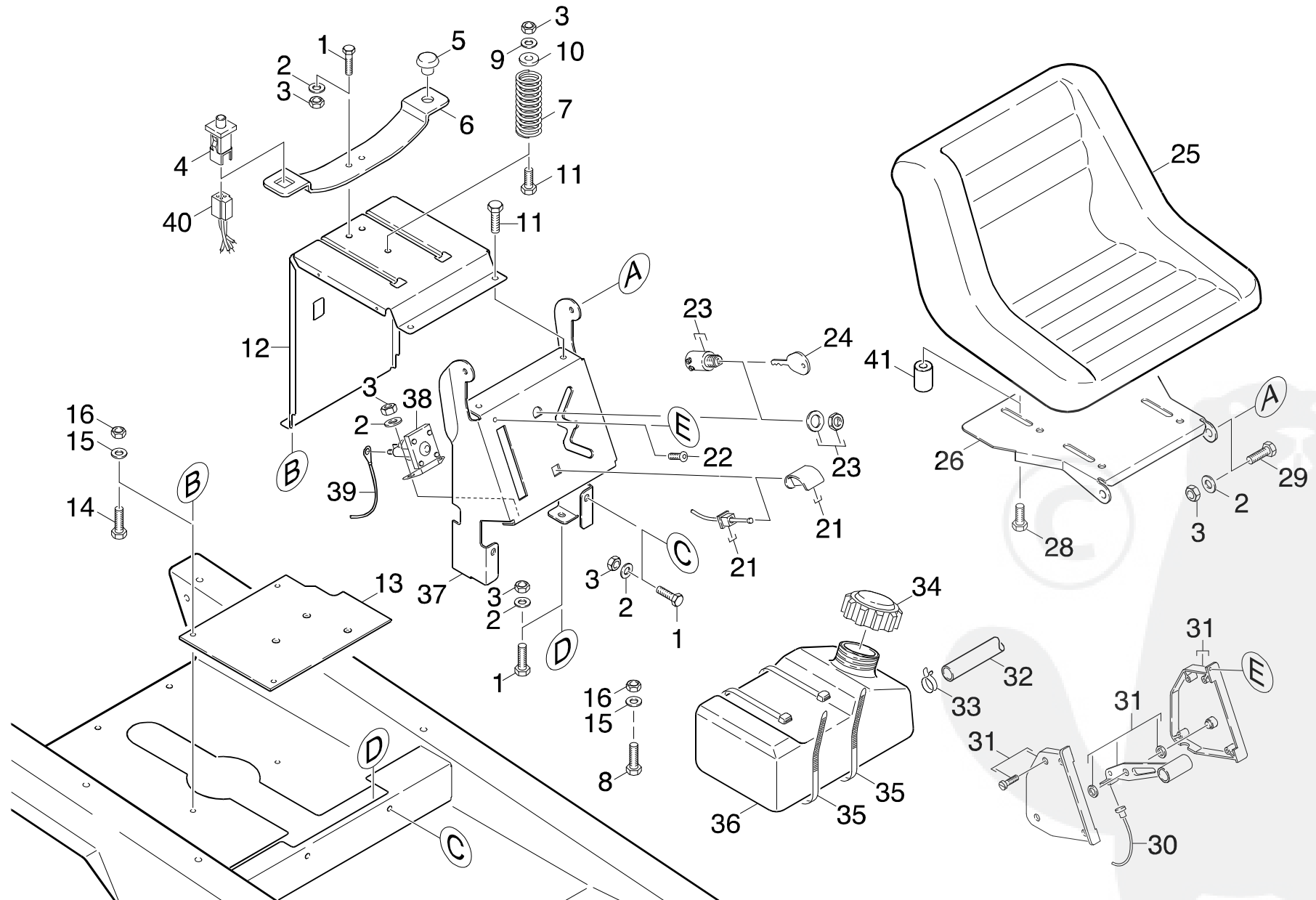
GRUPPE: 3.0 SITZ
GROUP: 3.0 SEAT
GRUPPE: 3.0 SIEGE

A3

KMR-TRAC

GRUPPE: 3.0 SITZ
GROUP: 3.0 SEAT
GRUPPE: 3.0 SIEGE





Symbolbeschreibung siehe M16 / symbol description see M16 / désignation de système voir M16 /

GRUPPE: 3.0 SITZ
 GROUP: 3.0 SEAT
 GROUPE: 3.0 SIEGE

C3

KMR-TRAC

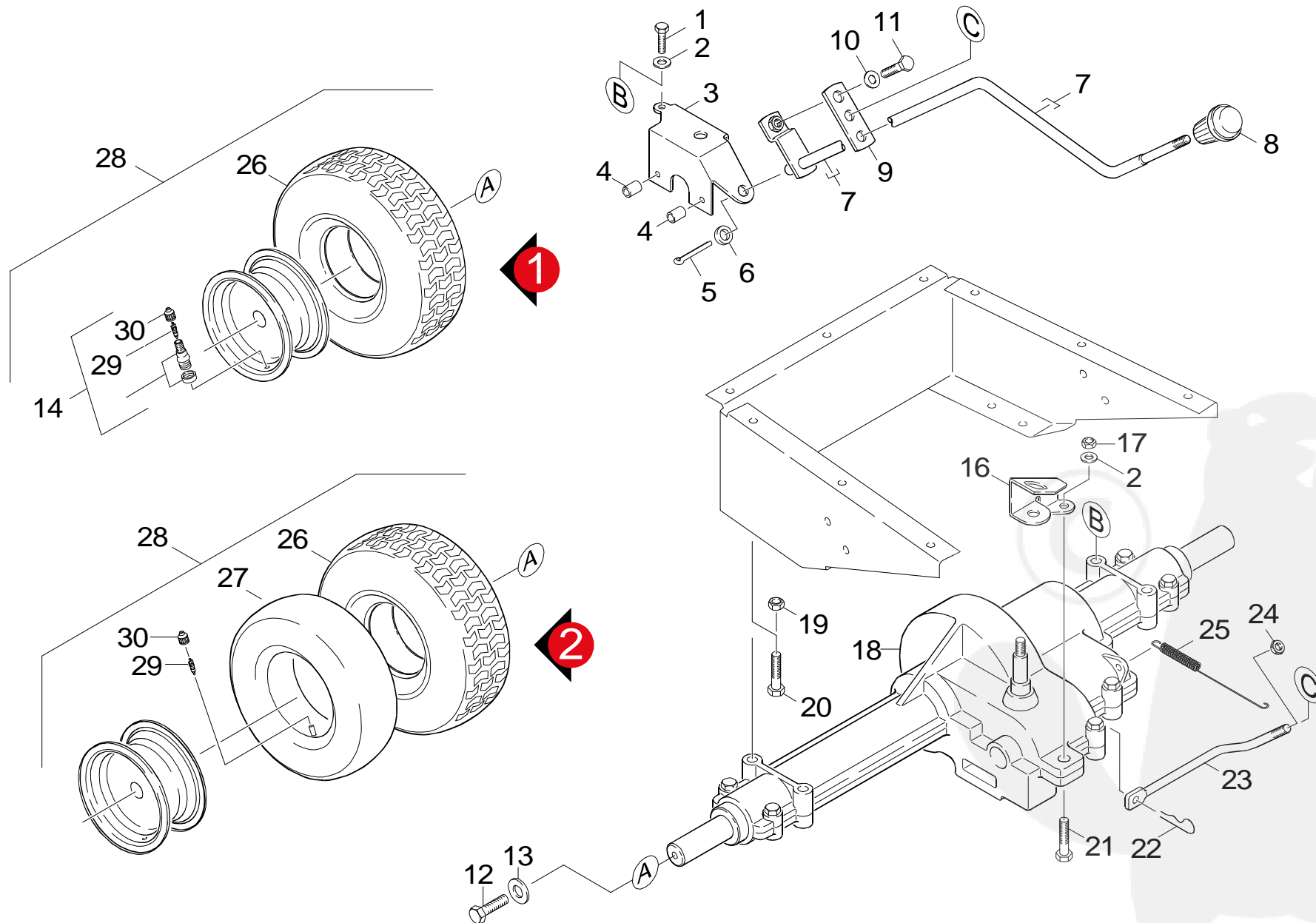
POS. ITM. POS.	BENNENNUNG DESCRIPTION DESIGNATION	TEILE-NR. PART-NO. NO.PIECE	STCK QTY. NBR.	POS. ITM. POS.	BENNENNUNG DESCRIPTION DESIGNATION	TEILE-NR. PART-NO. NO.PIECE	STCK QTY. NBR.
1	6KT-SCHRAUBE / HEXAGONAL HEAD SCREW / VIS HEXAGONAL	6.304-068.0	6	41	HUELSE DISTANZ- / SLEEVE / DOUILLE	5.110-513.0	4
2	SCHEIBE 8 / WASHER / RONDELLE	7.312-004.0	8				
3	6KT-MUTTER 5/16"-18 / HEXAGON NUT / ECROU HEXAGONAL	6.310-075.0	9				
4	SCHALTER -SITZ / SWITCH / INTERRUPTEUR	6.970-038.0	1				
5	STOPFEN / PLUG / BOUCHON	6.970-039.0	1				
6	BIEGEFEDER -SITZ / SPIRAL SPRING / RESSORT SPIRAL	6.970-040.0	1				
7	FEDER / SPRING / RESSORT	6.970-041.0	1				
8	SCHRAUBE 1/4-20 UNC / SCREW / VIS	6.304-109.0	2				
9	SCHEIBE / WASHER / RONDELLE	5.115-271.0	1				
10	BUCHSE -GUMMI / BUSH / DOUILLE	6.970-127.0	1				
11	6KT-SCHR. 5/16-18 / HEXAGONAL HEAD SCREW / VIS HEXAGONAL	6.970-124.0	3				
12	TRAEGER -SITZ HINT. / CARRIER / LONGERON	6.970-042.0	1				
13	PLATTE / PLATE / PLAQUE	6.970-043.0	1				
14	6KT-SCHR. 1/4-20 / HEXAGONAL HEAD SCREW / VIS HEXAGONAL	6.970-117.0	2				
15	FEDERRING B 6 / SPRING WASHER / RONDELLE GROWER	7.313-003.0	4				
16	6KT-MUTTER 1/4-20 / HEXAGON NUT / ECROU HEXAGONAL	6.970-116.0	4				
21	CHOKE / CHOKE / ETRANGLEUR	6.970-044.0	1				
22	BL.SCHR. ST4,8X16 / SHEET METAL SCREW / VIS A TOLE	7.303-077.0	1				
23	ZUENDSCHLOSS / IGNITION LOCK / SERRURE DE CONTACT	6.970-045.0	1				
24	ZUENDSCHLUESSEL / IGNITION KEY / CLE DE CONTACT	6.970-046.0	2				
25	SITZ / SEAT / SIEGE	6.970-047.0	1				
26	PLATTE -SITZ / PLATE / PLAQUE	6.970-048.0	1				
28	6KT-SCHR. 3/8-16UNC / HEXAGONAL HEAD SCREW / VIS HEXAGONAL	6.304-124.0	4				
29	GEWINDEBOLZEN / PIN / BOULON TARAUDE	6.970-129.0	2				
30	GASZUG / CARBURATOR CONTROL CABLE / CABLE	6.970-049.0	1				
31	GASHEBEL / LEVER / LEVIER	6.970-050.0	1				
32	LEITUNG -BENZIN / CABLE / CABLE D'ALIMENTAT.	6.970-051.0	1				
33	SCHLAUCHSCHELLE / HOSE BAND CLIP / COLLIER DE SERRAGE	6.388-544.0	1				
34	TANKDECKEL / CAP OF A TANK / BOUCHON DE RESERVOIR	6.970-052.0	1				
35	KABELBINDER / TIE BAND / SERRE-CABLE	6.970-053.0	2				
36	BENZINTANK / PETROL TANK / RESERVOIR ESSENCE	6.970-054.0	1				
37	TRAEGER -SITZ VO. / CARRIER / LONGERON	6.970-006.0	1				
38	STARTRELAIS / RELAY / RELAIS	6.970-172.0	1				
39	KABEL RELAIS-ANLASS / CABLE / CABLE	6.970-173.0	1				
40	KABELBAUM / CABLE TREE / HARNAIS DE CABLES	6.970-055.0	1				



"=> xxxxxx" = bis Werknummer / up to serial No. / jusqu' au No. de fabr. / "xxxxxx =>" = ab Werknummer / from serial No. / a partir du No. de fabr. /

GRUPPE: 4.0 FAHRWERK
GROUP: 4.0 RUNNING GEAR
GRUPPE: 4.0 MECANISME D'ROULEMENT





Symbolbeschreibung siehe M16 / symbol description see M16 / désignation de système voir M16 /

GRUPPE: 4.1 ACHSE
GROUP: 4.1 AXLE
GROUPE: 4.1 ESSIEU

C4

KMR-TRAC

POS. ITM. POS.	BENNENUNG DESCRIPTION DESIGNATION	TEILE-NR. PART-NO. NO.PIECE	STCK QTY. NBR.
1	6KT-SCHR. 1/4-20 / HEXAGONAL HEAD SCREW / VIS HEXAGONAL	6.970-117.0	1
2	FEDERRING B 6 / SPRING WASHER / RONDELLE GROWER	7.313-003.0	1
3	TRAEGER -SCHALTHEB. / CARRIER / LONGERON	6.970-056.0	1
4	DISTANZHUELSE / SPACER SLEEVE / ENTRETOISE	6.970-057.0	2
5	SPLINT 2,0X 20 / COTTER / GOUPILLE FENDUE	7.316-333.0	1
6	SCHEIBE 12 / WASHER / RONDELLE	7.312-008.0	1
7	SCHALTHEBEL / SWITCH LEVER / LEVIER DE COMMUTATEUR	6.970-058.0	1
8	KNOPF / BUTTON / BOUTON	6.970-059.0	1
9	BLECH / PLATE / TOLE	6.970-060.0	1
10	SCHEIBE 6 / WASHER / RONDELLE	7.312-260.0	1
11	6KT-SCHR. 1/4-20 / HEXAGONAL HEAD SCREW / VIS HEXAGONAL	6.970-123.0	1
12	SCHRAUBE 5/16-24UNF / SCREW / VIS	6.304-033.0	2
13	SCHEIBE 8 / WASHER / RONDELLE	7.312-277.0	2
14	VENTIL / VALVE / SOUPAPE	6.970-061.0	2
16	WINKEL / ANGLE / ANGLE	6.970-063.0	1
17	6KT-MUTTER 1/4-20 / HEXAGON NUT / ECROU HEXAGONAL	6.970-116.0	1
18	DIFFERENTIALACHSE / DIFFERENTIAL AXLE / ESSIEU DE DIFFERENTIEL	6.970-064.0	1
19	6KT-MUTTER 5/16"-18 / HEXAGON NUT / ECROU HEXAGONAL	6.310-075.0	4
20	6KT SCHR. 5/16-18 / HEXAGON / HEXAGONAL	6.970-130.0	4
21	6KT SCHR. 1/4-20 / HEXAGON / HEXAGONAL	6.970-131.0	1
22	FEDERSTECKER 3,2 / SPRING CLIP / FICHE ELECTRIQUE	7.316-450.0	1
23	STANGE -SCHALTUNG / BAR / TIGE	6.970-065.0	1
24	SICHERUNGSSCHEIBE / LOCK WASHER / RONDELLE D'ARRET	6.343-119.0	1
25	FEDER / SPRING / RESSORT	6.970-145.0	1
26	REIFEN HINTEN / TIRE / PNEUS	6.970-144.0	2
27	SCHLAUCH 16X6.50X8 / HOSE / TUYAU FLEXIBLE	6.970-175.0	2
28	RAD KPL. HINTEN / WHEEL / ROUE	6.970-196.0	2
29	VENTIL / VALVE / SOUPAPE	6.412-709.0	2
30	VENTILKAPPE / VALVE CAP / CAPUCHON DE VALVE	6.412-710.0	2

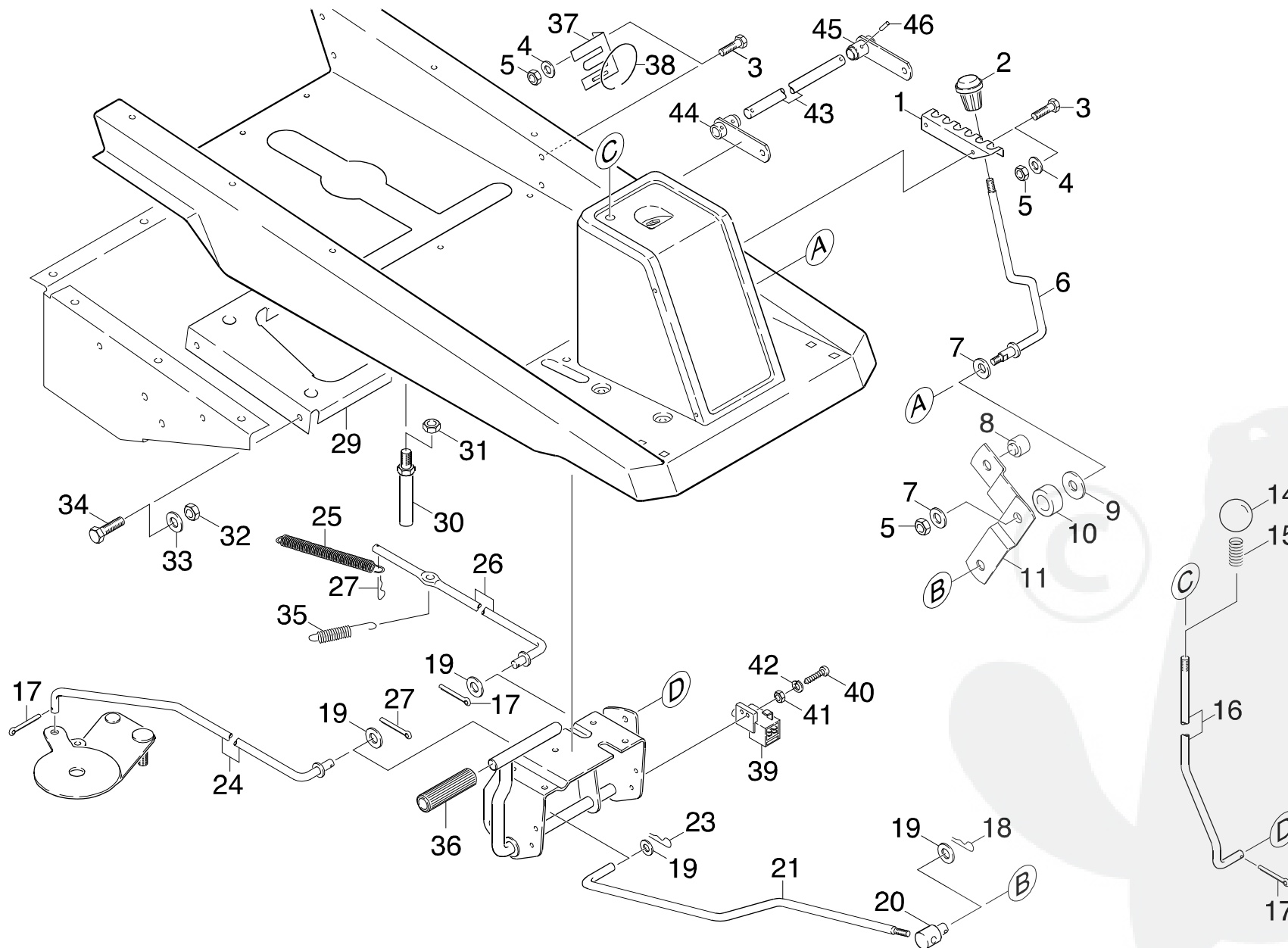


"=> xxxxxx" = bis Werknummer / up to serial No. / jusqu' au No. de fabr. / "xxxxxx =>" = ab Werknummer / from serial No. / a partir du No. de fabr. /

GRUPPE: 4.2 GESTAENGE
GROUP: 4.2 LEVERAGE
GRUPPE: 4.2 TRINGLES

D4

KMR-TRAC



Symbolbeschreibung siehe M16 / symbol description see M16 / désignation de système voir M16 /

GRUPPE: 4.2 GESTAENGE
 GROUP: 4.2 LEVERAGE
 GROUPE: 4.2 TRINGLES

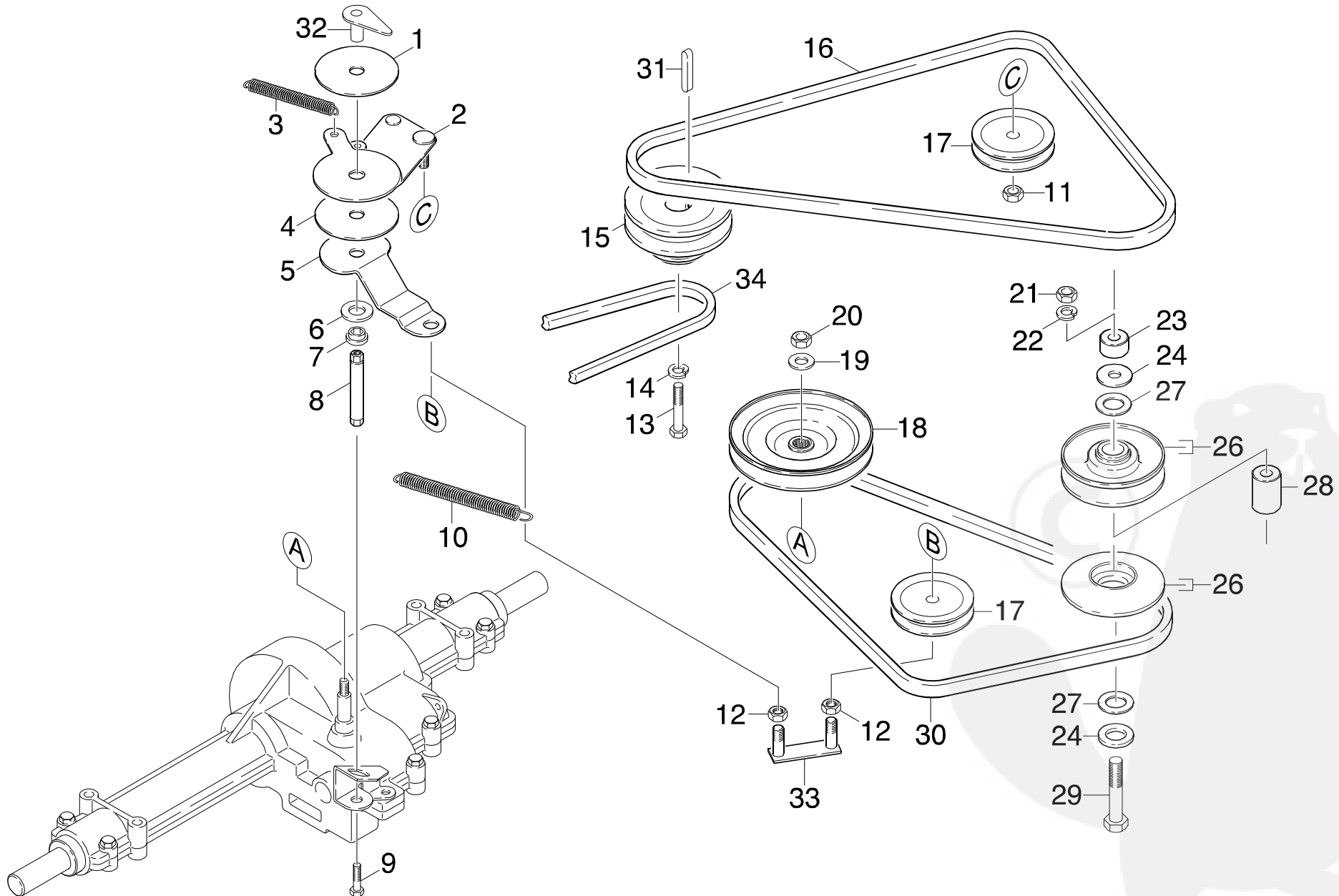
E4

KMR-TRAC

POS. ITM. POS.	BENNENNUNG DESCRIPTION DESIGNATION	TEILE-NR. PART-NO. NO.PIECE	STCK QTY. NBR.	POS. ITM. POS.	BENNENNUNG DESCRIPTION DESIGNATION	TEILE-NR. PART-NO. NO.PIECE	STCK QTY. NBR.
1	WINKEL -FAHRSTUFE / ANGLE / ANGLE	6.970-066.0	1	42	FEDERRING B 5 / SPRING WASHER / RONDELLE GROWER	7.313-002.0	2
2	KNOPF / BUTTON / BOUTON	6.970-059.0	1	43	STANGE / BAR / TIGE	6.970-159.0	1
3	6KT-SCHRAUBE / HEXAGONAL HEAD SCREW / VIS HEXAGONAL	6.304-068.0	4	44	HEBEL -RECHTS / LEVER / LEVIER	6.970-160.0	1
4	FEDERRING B 8 / SPRING WASHER / RONDELLE GROWER	7.313-004.0	4	45	HEBEL -LINKS / LEVER / LEVIER	6.970-161.0	1
5	6KT-MUTTER 5/16"-18 / HEXAGON NUT / ECROU HEXAGONAL	6.310-075.0	5	46	SPANNSTIFT / PIN / GOUPILLE DE SERRAGE	6.970-162.0	1
6	STANGE -FAHRGESCHW. / BAR / TIGE	6.970-067.0	1				
7	SCHEIBE 8 / WASHER / RONDELLE	7.312-277.0	2				
8	KAPPE / CAP / CAPUCHON	6.970-068.0	1				
9	SCHEIBE 0.531X1.25 / WASHER / RONDELLE	6.970-132.0	1				
10	GUMMISCHEIBE / RUBBER DISC / DISQUE CAOUTCHOUC	6.970-069.0	1				
11	HEBEL -FAHRGESCHW. / LEVER / LEVIER	6.970-070.0	1				
14	KNOPF / BUTTON / BOUTON	6.970-071.0	1				
15	FEDER / SPRING / RESSORT	6.970-072.0	1				
16	STANGE -BREMSE / BAR / TIGE	6.970-073.0	1				
17	SPLINT 2,0X 20 / COTTER / GOUPILLE FENDUE	7.316-333.0	3				
18	SPLINT 2,0X 22 / COTTER / GOUPILLE FENDUE	7.316-334.0	1				
19	SCHEIBE 8 / WASHER / RONDELLE	7.312-004.0	4				
20	BOLZEN / BOLT / BOULON	6.970-074.0	1				
21	STANGE / BAR / TIGE	6.970-075.0	1				
23	FEDERSTECKER 5/16" / SPRING CLIP / FICHE ELECTRIQUE	6.970-143.0	1				
24	STANGE -KUPPLUNG / BAR / TIGE	6.970-076.0	1				
25	FEDER / SPRING / RESSORT	6.970-077.0	1				
26	STANGE -BREMSE / BAR / TIGE	6.970-078.0	1				
27	SPLINT 3,2X 32 / COTTER / GOUPILLE FENDUE	7.316-345.0	2				
29	RIEMENSCHUTZ / BELT PROTECTION / PROTECTION DE COURROIE	6.970-079.0	1				
30	BOLZEN -RIEMENSCH. / BOLT / BOULON	6.970-080.0	1				
31	6KT-MUTTER 3/8-16 / HEXAGON NUT / ECROU HEXAGONAL	6.970-133.0	1				
32	6KT-MUTTER 1/4-20 / HEXAGON NUT / ECROU HEXAGONAL	6.970-116.0	4				
33	FEDERRING B 6 / SPRING WASHER / RONDELLE GROWER	7.313-003.0	4				
34	6KT SCHR. 1/4-20X1 / HEXAGON / HEXAGONAL	6.970-134.0	4				
35	FEDER / SPRING / RESSORT	6.970-145.0	1				
36	SCHUTZTEIL / PROTECTION PART / PARTIE PROTECTEUR	6.970-146.0	1				
37	WINKEL / ANGLE / ANGLE	6.970-151.0	1				
38	BIEGEFEDER / SPIRAL SPRING / RESSORT SPIRAL	6.970-152.0	1				
39	SCHALTER -PEDAL / SWITCH / INTERRUPTEUR	6.970-174.0	1				
40	SCHRAUBE DE M5 X 16 / SCREW / VIS	6.303-064.0	2				
41	6KT-MUTTER M 5 / HEXAGON NUT / ECROU HEXAGONAL	7.311-002.0	2				



"=> xxxxxx" = bis Werknummer / up to serial No. / jusqu' au No. de fabr. / "xxxxxx =>" = ab Werknummer / from serial No. / a partir du No. de fabr. /



Symbolbeschreibung siehe M16 / symbol description see M16 / désignation de système voir M16 /

GRUPPE: 4.3 ANTRIEB
GROUP: 4.3 ACTUATION
GRUPPE: 4.3 ENTRAINEMENT

G4

KMR-TRAC

POS. ITM. POS.	BENNENUNG DESCRIPTION DESIGNATION	TEILE-NR. PART-NO. NO.PIECE	STCK QTY. NBR.
1	DRUCKSCHEIBE / PRESSURE DISC / DISQUE DE PRESSION	6.970-081.0	1
2	HALTER -RIEMENSCH. / BRACKET / FIXATION	6.970-082.0	1
3	FEDER / SPRING / RESSORT	6.970-083.0	1
4	DRUCKSCHEIBE / PRESSURE DISC / DISQUE DE PRESSION	6.970-084.0	1
5	HALTER -RIEMENSCH. / BRACKET / FIXATION	6.970-085.0	1
6	SCHEIBE 0.635X1.24 / WASHER / RONDELLE	6.970-115.0	1
7	BUNDBUCHSE / BUSHING / DOUILLE	6.970-086.0	1
8	WELLE / SHAFT / ARBRE	6.970-087.0	1
9	SCHRAUBE 3/8"-24UNF / SCREW / VIS	6.303-221.0	1
10	FEDER / SPRING / RESSORT	6.970-088.0	1
11	6KT-MUTTER 3/8-24 / HEXAGON NUT / ECROU HEXAGONAL	6.970-121.0	1
12	6KT-MUTTER 3/8-24 / HEXAGON NUT / ECROU HEXAGONAL	6.970-122.0	2
13	6KT SCHR. 7/16-20 / HEXAGON / HEXAGONAL	6.970-135.0	1
14	FEDERRING B 12 / SPRING WASHER / RONDELLE GROWER	7.313-007.0	1
15	RIEMENSCH. -MOT. / PULLEY / POULIE	6.970-089.0	1
16	KEILRIEMEN / LARGE V-BELT / COURROIE TRAPEZOID.	6.970-090.0	1
17	RIEMENSCH. / PULLEY / POULIE	6.970-247.0	2
18	SPANNROLLE / ADJUSTER / GALET TENDEUR	6.970-092.0	1
19	SCHEIBE 14 / WASHER / RONDELLE	7.312-028.0	1
20	6KT MUTTER 9/16-18 / HEXAGON / HEXAGONAL	6.970-136.0	1
21	6KT-MUTTER 3/8-16 / HEXAGON NUT / ECROU HEXAGONAL	6.970-133.0	1
22	FEDERRING B 10 / SPRING WASHER / RONDELLE GROWER	7.313-005.0	1
23	DISTANZBUCHSE / SPACER / ENTRETOISE	6.970-093.0	1
24	SCHEIBE 10 / WASHER / RONDELLE	7.312-285.0	2
26	RIEMENSCH. -VAR. / PULLEY / POULIE	6.970-095.0	1
27	SCHEIBE 0.56X1.25 / WASHER / RONDELLE	6.970-141.0	2
28	DISTANZHUELSE / SPACER SLEEVE / ENTRETOISE	6.970-142.0	1
29	6KT SCHR. 3/8-16 / HEXAGON / HEXAGONAL	6.970-137.0	1
30	KEILRIEMEN / LARGE V-BELT / COURROIE TRAPEZOID.	6.970-138.0	1
31	PASSFEDER 1/4X2 / SPRING / RESSORT D'ADJUSTAGE	6.970-139.0	1
32	HEBEL / LEVER / LEVIER	6.970-140.0	1
33	RIEMENSCHUTZ / BELT PROTECTION / PROTECTION DE COURROIE	6.970-157.0	1
34	KEILRIEMEN XPZ1150 / LARGE V-BELT / COURROIE TRAPEZOID.	6.348-294.0	1



"=> xxxxxx" = bis Werknummer / up to serial No. / jusqu' au No. de fabr. / "xxxxxx =>" = ab Werknummer / from serial No. / a partir du No. de fabr. /

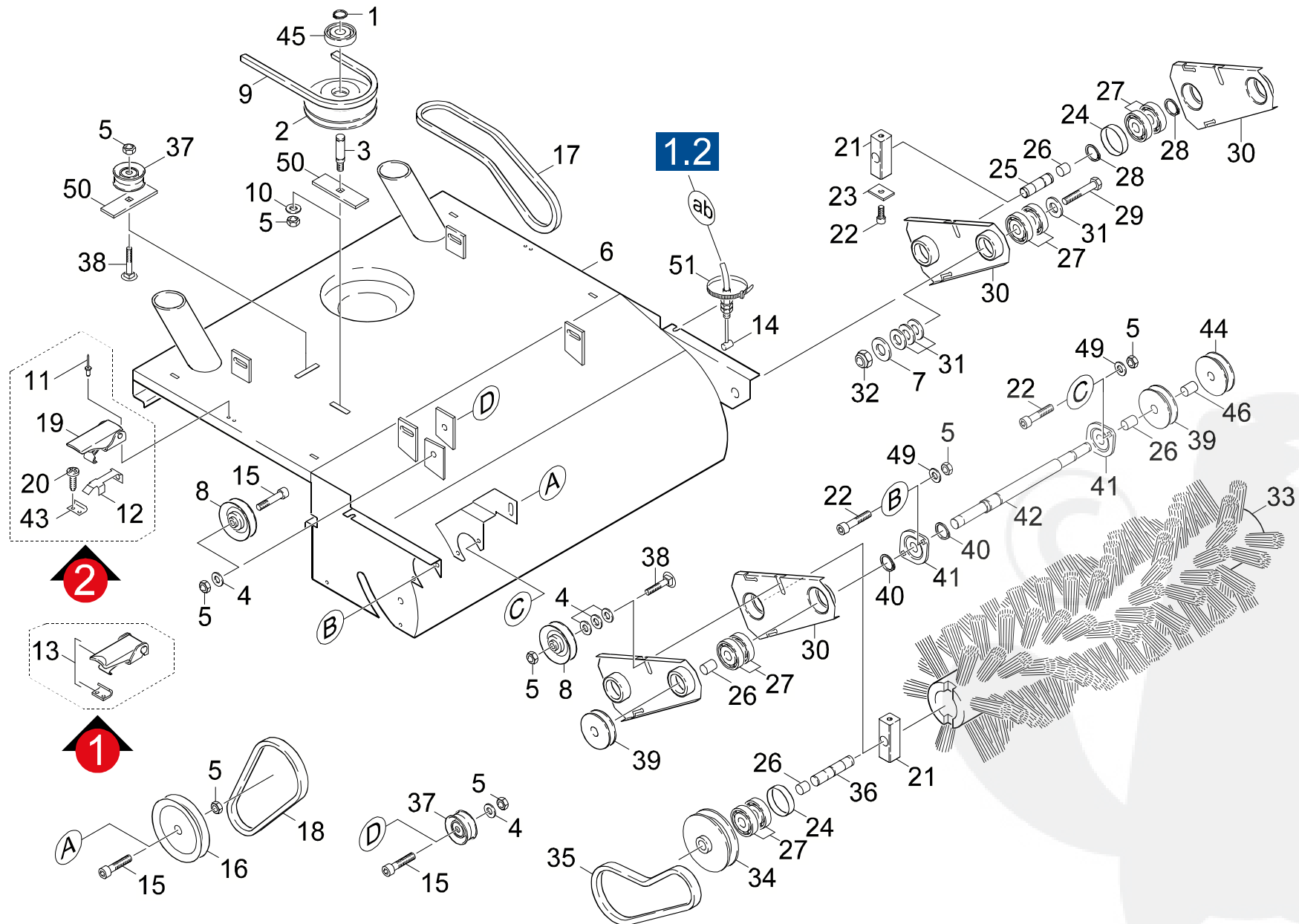
GRUPPE: 5.0 KEHRWALZENKASTEN
GROUP: 5.0 SWEEP ROLLER CHEST
GRUPPE: 5.0 COFFRE DE CYLINDR.BALAYER

A5

KMR-TRAC

GRUPPE: 5.0 KEHRWALZENKASTEN
GROUP: 5.0 SWEEP ROLLER CHEST
GRUPPE: 5.0 COFFRE DE CYLINDR.BALAYER





Symbolbeschreibung siehe M16 / symbol description see M16 / désignation de système voir M16 /

GRUPPE: 5.1 KEHRWALZE
 GROUP: 5.1 REVERSING ROLLING MILL
 GROUPE: 5.1 TAMBOUR

C5

KMR-TRAC

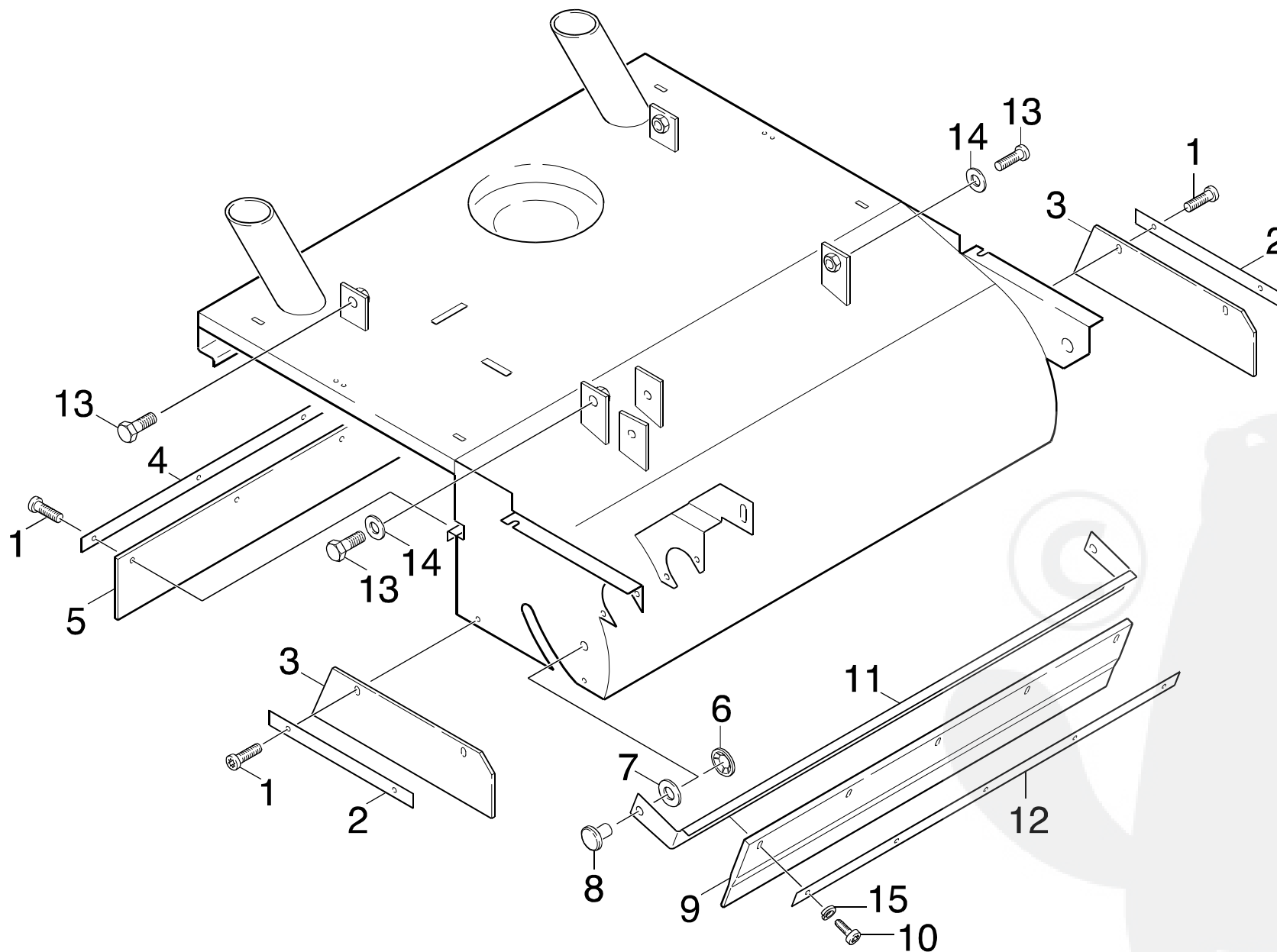
POS. ITM. POS.	BENNENNUNG DESCRIPTION DESIGNATION	TEILE-NR. PART-NO. NO.PIECE	STCK QTY. NBR.	POS. ITM. POS.	BENNENNUNG DESCRIPTION DESIGNATION	TEILE-NR. PART-NO. NO.PIECE	STCK QTY. NBR.
1	S-RING 12X1 / SPRING CLIP / CIRCLIP	7.343-003.0	1	29	6KT-SCHR. M16X 50 / HEXAGONAL HEAD SCREW / VIS HEXAGONAL	7.304-452.0	1
2	RIEMENSCHLEIBE / PULLEY / POULIE	5.625-284.0	1	30	SCHWINGE / LEVER / AICE	5.046-974.0	4
3	ACHSE / AXLE / ESSIEU	5.105-220.0	1	31	SCHEIBE 16 / WASHER / RONDELLE	7.312-142.0	4
4	SCHEIBE 8 / WASHER / RONDELLE	7.312-004.0	6	32	6KT-MUTTER M16 / HEXAGON NUT / ECROU HEXAGONAL	7.311-426.0	1
5	6KT-MUTTER M 8 / HEXAGON NUT / ECROU HEXAGONAL	7.311-004.0	12	33	KEHRWALZE PROFI / REVERSING ROLLING MILL / TAMBOUR	6.906-028.0	1
6	KEHRWALZENKASTEN / SWEEP ROLLER CHEST / COFFRE DE CYLINDR.BALAYER	4.038-454.0	1	34	RIEMENSCHLEIBE / PULLEY / POULIE	5.625-280.0	1
7	SCHEIBE 16 / WASHER / RONDELLE	7.312-019.0	1	35	KEILRIEMEN XPZ587LD / LARGE V-BELT / COURROIE TRAPEZOID.	6.348-292.0	1
8	UMLENKROLLE / DEFLECTION PULLEY / POULIE	6.348-297.0	2	36	WELLE RECHTS / SHAFT / ARBRE	5.100-188.0	1
9	KEILRIEMEN XPZ1150 / LARGE V-BELT / COURROIE TRAPEZOID.	6.348-294.0	1	37	UMLENKROLLE / DEFLECTION PULLEY / POULIE	6.348-276.0	2
10	SCHEIBE 8 / WASHER / RONDELLE	7.312-261.0	1	38	FL.RD.SCHR. M 8X 40 / SAUCER-HEAD SCREW / BOULON A TETE BOMBEE	7.303-186.0	2
11	BLINDNIET 4,0 / BLIND RIVET / RIVET AVEUGLE	6.315-023.0	4	39	RIEMENSCHLEIBE / PULLEY / POULIE	5.625-281.0	2
12	BLATTFEDER / PLATE SPRING / RESSORT A LAMES	5.337-032.0	2	40	S-RING A 20X 1,2 / SPRING CLIP / CIRCLIP	7.343-040.0	2
	12368 =>			41	FLANSCHLAGER / FLANGED BEARING / FLASQUE-BRIDE	6.401-231.0	2
13	SPANNVERSCHLUSS / LOCK / MANDRIN	6.375-223.0	2	42	WELLE / SHAFT / ARBRE	5.100-190.0	1
	/ => 12367			43	GEGENHAKEN / HOOK / PATERE	6.375-265.0	2
14	BOWDENZUG KPL. / BOWDEN WIRE / CABLE SOUS GAINÉ	6.431-129.0	2		12368 =>		
	FETT-SPRAY FUER BOWDENZUG DOSE 400 ML			44	RIEMENSCHLEIBE / PULLEY / POULIE	5.625-282.0	1
	6.288-107/GREASE SPRAY FOR BOWDEN WIRE 400 ML TIN			45	KUGELLAGER 6001-2RS / BALL BEARING / ROULEMENT A BILLE	7.401-111.0	1
	6.288-107/GRAISSE POUR CABLE SOUS GAINÉ 400 ML BOITE			46	TOLERANZRING BN15 / TOLERANCE RING / BAGUE	6.343-195.0	1
	6.288-107			49	FEDERRING B 8 / SPRING WASHER / RONDELLE GROWER	7.313-004.0	4
15	ZYL.SCHR. M 8X 35 / CHEESE HEAD SCREW / VIS A TETE CYLINDR.	7.306-044.0	3	50	LASCHE / RETAINER CLIP / ECLISSE	5.004-788.0	2
16	UMLENKROLLE / DEFLECTION PULLEY / POULIE	6.348-278.0	1	51	KABELBAND / CABLE TIE / PROTECT. DE CABLE	6.641-463.0	1
17	KEILRIEMEN XPZ980LW / LARGE V-BELT / COURROIE TRAPEZOID.	6.348-293.0	1				
18	RUNDRIEMEN / BELT / COURROIE RONDE	6.348-291.0	1				
19	SPANNVERSCHLUSS / LOCK / MANDRIN	6.375-257.0	2				
	12368 =>						
20	BL.SCHR. ST3,5X 9,5 / SHEET METAL SCREW / VIS A TOLE	7.303-361.0	4				
21	STAB / ROD / TIGE	5.027-172.0	2				
22	ZYL.SCHR. M 8X 20 / CHEESE HEAD SCREW / VIS A TETE CYLINDR.	7.306-041.0	8				
23	BLECH / PLATE / TOLE	5.001-536.0	4				
24	TOLERANZRING / TOLERANCE RING / BAGUE	6.343-203.0	4				
25	WELLE LINKS / SHAFT / ARBRE	5.100-189.0	1				
26	TOLERANZRING / TOLERANCE RING / BAGUE	6.343-200.0	5				
27	KUGELLAG. 16003-2Z / BALL BEARING / ROULEMENT A BILLE	7.401-139.0	8				
28	S-RING 17X1 / SPRING CLIP / CIRCLIP	7.343-006.0	3				

"=> xxxxxx" = bis Werknummer / up to serial No. / jusqu' au No. de fabr. / "xxxxxx =>" = ab Werknummer / from serial No. / a partir du No. de fabr. /

GRUPPE: 5.2 KEHRWALZENKASTEN
GROUP: 5.2 SWEEP ROLLER CHEST
GRUPPE: 5.2 COFFRE DE CYLINDR.BALAYER

D5

KMR-TRAC



Symbolbeschreibung siehe M16 / symbol description see M16 / désignation de système voir M16 /

GRUPPE: 5.2 KEHRWALZENKASTEN
GROUP: 5.2 SWEEP ROLLER CHEST
GROUPE: 5.2 COFFRE DE CYLINDR.BALAYER

E5

KMR-TRAC

POS. ITM. POS.	BENNENUNG DESCRIPTION DESIGNATION	TEILE-NR. PART-NO. NO.PIECE	STCK QTY. NBR.
1	SCHRAUBE M 5X 12 / SCREW / VIS	7.303-038.0	9
2	LEISTE / STRIP / BAGUETTE	5.190-054.0	2
3	SCHUERZE / APRON / TABLIER	5.394-390.0	2
4	LEISTE / STRIP / BAGUETTE	5.190-055.0	1
5	SCHUERZE / APRON / TABLIER	5.394-391.0	1
6	SCHNELLBEFESTIGER / QUICK-FASTENER / ATTACHE RAPIDE	6.343-149.0	2
7	SCHEIBE 10 / WASHER / RONDELLE	7.312-074.0	2
8	BOLZEN / BOLT / BOULON	5.316-320.0	2
9	SCHUERZE / APRON / TABLIER	5.394-392.0	1
10	SCHNEIDSCHR. M5X 20 / SELF-TAPPING SCREW / VIS AUTOTARAUEUSE	6.303-076.0	5
11	BLECHTEIL / PLATE / TOLE	5.047-028.0	1
12	BLECHTEIL / PLATE / TOLE	5.047-030.0	1
13	SCHRAUBE M 8X 16 / SCREW / VIS	6.303-031.0	4
14	ZAHNSCHEIBE A 8,4 / LOCK WASHER / ROUE PLATE	7.312-159.0	2
15	FEDERRING B 5 / SPRING WASHER / RONDELLE GROWER	7.313-002.0	5



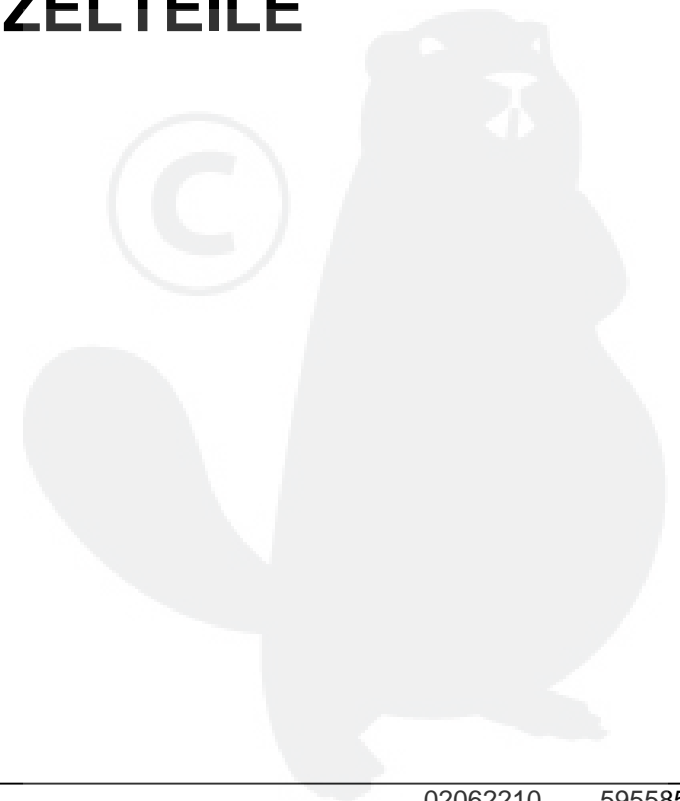
"=> xxxxxx" = bis Werknummer / up to serial No. / jusqu' au No. de fabr. / "xxxxxx =>" = ab Werknummer / from serial No. / a partir du No. de fabr. /

GRUPPE: 6.0 MOTOR EINZELTEILE
GROUP: 6.0 MOTOR
GRUPPE: 6.0 MOTEUR

A6

KMR-TRAC

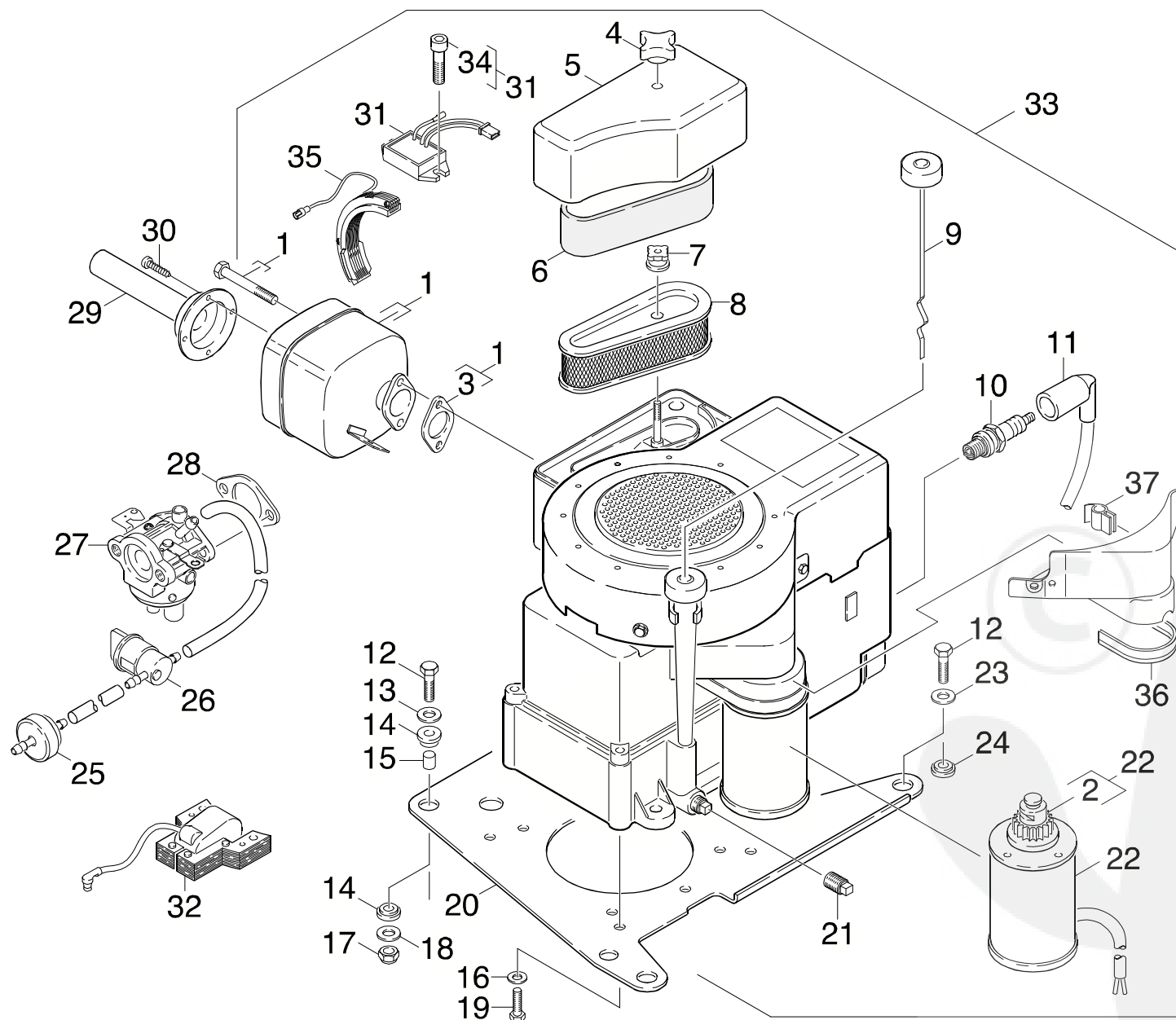
GRUPPE: 6.0 MOTOR EINZELTEILE
GROUP: 6.0 MOTOR
GRUPPE: 6.0 MOTEUR



GRUPPE: 6.0 MOTOR EINZELTEILE
GROUP: 6.0 MOTOR
GRUPPE: 6.0 MOTEUR

B6

KMR-TRAC



Symbolbeschreibung siehe M16 / symbol description see M16 / désignation de système voir M16 /

GRUPPE: 6.0 MOTOR EINZELTEILE
 GROUP: 6.0 MOTOR
 GROUPE: 6.0 MOTEUR

C6

KMR-TRAC

POS. ITM. POS.	BENNENNUNG DESCRIPTION DESIGNATION	TEILE-NR. PART-NO. NO.PIECE	STCK QTY. NBR.	POS. ITM. POS.	BENNENNUNG DESCRIPTION DESIGNATION	TEILE-NR. PART-NO. NO.PIECE	STCK QTY. NBR.
1	AUSPUFFTOPF KPL. / EXHAUST BOX / POT D'ECHAPPEMENT	6.970-165.0	1	34	ZYL.SCHR. M 8X 40 / CHEESE HEAD SCREW / VIS A TETE CYLINDR.	7.306-075.0	1
2	ANLASSERRITZEL / STARTER PINION / PIGNON DE DEMARREUR	6.970-198.0	1	35	LADESPULE KPL / CHARGING COIL / BOBINE DE CHARGEMENT	6.970-177.0	1
3	DICHTUNG / SEAL / BOURRAGE	6.970-096.0	1	NEUE AUSFUEHRUNG/NEW VERSION/VERSION NOUVELLE			
4	KREUZGRIFF M 6 / STAR HANDLE / POIGNEE EN ETOILE	6.310-023.0	1	36	PROFILDICHTUNG / SEAL / ETOUPE PROFILE	6.273-055.0	1
5	GEHAEUSE -LUFTFILT. / HOUSING / BOITIER	6.970-098.0	1	37	DICHTUNGSPROFIL / PROFILED JOINT / JOINT D'ETANCHEITE PROF.	6.365-318.0	1
6	LUFTFILTER / AIR FILTER / FILTRE A AIR	6.970-099.0	1				
7	SCHRAUBKNOPF / SCREW KNOB / BOUTON FILETE	6.970-100.0	1				
8	LUFTFILTEREINSATZ / AIR FILTER ELEMENT / CARTOUCHE FILTRANTE	6.970-101.0	1				
9	OELMESSTAB / OIL DIP ROD / JAUGE NIVEAU D'HUILE	6.970-102.0	1				
10	ZUENDKERZE / IGNITION PLUG / BOUGIE D'ALLUMAGE	6.970-103.0	1				
11	ZUENDKERZENSTECKER / STARK PLUG CONNECTOR / COSSE POUR BOUGIE	6.970-104.0	1				
12	6KT-SCHR. 5/16-24 / HEXAGONAL HEAD SCREW / VIS HEXAGONAL	6.970-113.0	4				
13	SCHEIBE 8 / WASHER / RONDELLE	7.312-261.0	2				
14	TUELLE / RUBBER BUSHING / MANCHON	6.970-105.0	4				
15	BUCHSE / BUSH / DOUILLE	6.970-106.0	2				
16	SCHEIBE 8 / WASHER / RONDELLE	7.312-277.0	4				
17	6KT-MUTTER 5/16-24 / HEXAGON NUT / ECROU HEXAGONAL	6.970-112.0	2				
18	FEDERRING B 8 / SPRING WASHER / RONDELLE GROWER	7.313-004.0	2				
19	SCHRAUBE 3/8"-16UNC / SCREW / VIS	6.304-035.0	4				
20	MOTORPLATTE / MOTOR PLATE / PLAQUE (MOTEUR)	6.970-107.0	1				
21	OELABLASSSCHRAUBE / OIL DRAIN SCREW / BOUCHON VIDANGE HUILE	6.970-108.0	1				
22	ANLASSER / STARTER / DEMARREUR	6.970-110.0	1				
23	SCHEIBE 0.33"X1.25" / WASHER / RONDELLE	6.970-111.0	2				
24	BUNDBUCHSE / BUSHING / DOUILLE	6.970-109.0	2				
25	KRAFTSTOFFFILTER / FUEL FILTER / FILTRE CARBURANT	6.970-155.0	1				
26	KRAFTSTOFFHAHN / FUEL COCK / ROBINET CARBURANT	6.970-156.0	1				
27	VERGASER -KPL. / CARBURETOR / CARBURATEUR	6.970-163.0	1				
28	DICHTUNG -VERGASER / SEAL / BOURRAGE	6.970-164.0	1				
29	DEFLEKTOR / DEFLECTOR / DEFLECTEUR	6.970-166.0	1				
30	BL.SCHR. ST4,8X16 / SHEET METAL SCREW / VIS A TOLE	7.303-077.0	4				
31	LADEREGLER / CONTROL DEVICE / REGULATEUR	6.970-167.0	1				
ALTE AUSFUEHRUNG/OLD VERSION/VERSION ANTERIEURE							
32	ZUENDSPULE / IGNITION COIL / BOBINE D'ALLUMAGE	6.970-168.0	1				
33	BENZINMOTOR 8,5 HP / GASOLINE ENGINE / MOTEUR A ESSENCE	6.970-169.0	1				



"=> xxxxxx" = bis Werknummer / up to serial No. / jusqu' au No. de fabr. / "xxxxxx =>" = ab Werknummer / from serial No. / a partir du No. de fabr. /

GRUPPE: 7.0 SEITENBESEN
GROUP: 7.0 SIDE BROOM
GRUPPE: 7.0 BALAI

A7

KMR-TRAC

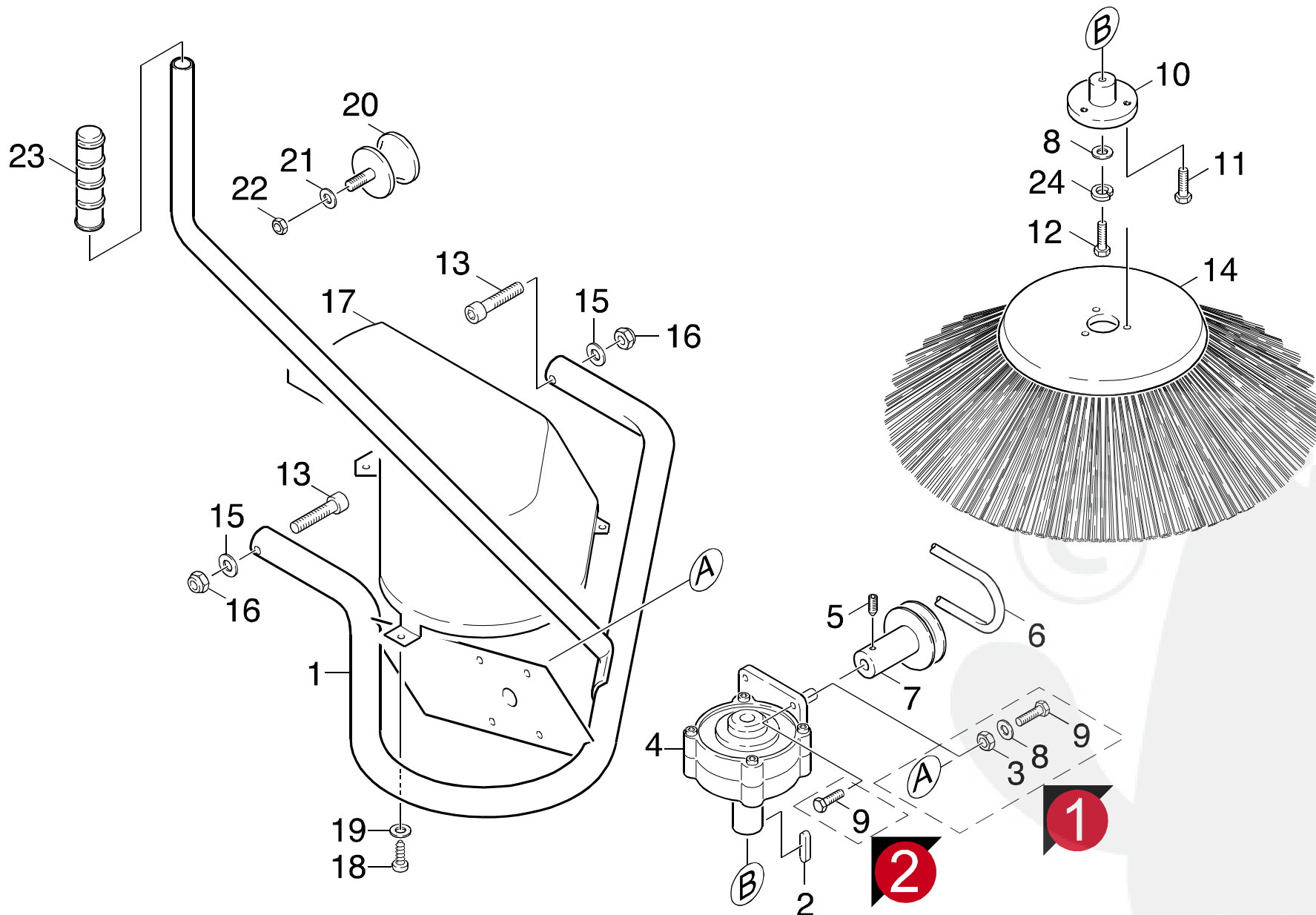
GRUPPE: 7.0 SEITENBESEN
GROUP: 7.0 SIDE BROOM
GRUPPE: 7.0 BALAI



GRUPPE: 7.0 SEITENBESEN
GROUP: 7.0 SIDE BROOM
GRUPPE: 7.0 BALAI

B7

KMR-TRAC



Symbolbeschreibung siehe M16 / symbol description see M16 / désignation de système voir M16 /

GRUPPE: 7.0 SEITENBESEN
GROUP: 7.0 SIDE BROOM
GRUPPE: 7.0 BALAI

C7

KMR-TRAC

POS. ITM. POS.	BENNENUNG DESCRIPTION DESIGNATION	TEILE-NR. PART-NO. NO.PIECE	STCK QTY. NBR.
1	SCHUTZROHR KPL. / PROTECTION TUBE / TUBE PROTECTEUR	4.393-023.0	1
2	PASSFEDER 5X 5X 20 / SPRING / RESSORT D'ADJUSTAGE	7.318-070.0	1
3	6KT-MUTTER M 6 / HEXAGON NUT / ECROU HEXAGONAL	7.311-003.0	4
4	SCHNECKENGETRIEBE / WORM GEARING / ENGRENAGE A VIS	6.454-078.0	1
5	GEW.STIFT M 6X 12 / THREADED PIN / VIS SANS TETE	7.307-504.0	1
6	RUNDRIEMEN / BELT / COURROIE RONDE	6.348-291.0	1
7	RIEMENSCHLEIBE / PULLEY / POULIE	5.625-283.0	1
8	SCHEIBE 6 / WASHER / RONDELLE	7.312-003.0	1
9	ZYL.SCHR. M 6X 16 / CHEESE HEAD SCREW / VIS A TETE CYLINDR.	6.303-135.0	4
VERSION 2			
9	SCHRAUBE M 6X 20 / SCREW / VIS	7.306-092.0	4
10	NABE / HUB / MOYEU	5.120-305.0	1
11	ZYL.SCHR. M 6X 12 / CHEESE HEAD SCREW / VIS A TETE CYLINDR.	7.306-500.0	3
12	SCHRAUBE M 6X 16 / SCREW / VIS	7.306-090.0	1
13	ZYL.SCHR. M10X 60 / CHEESE HEAD SCREW / VIS A TETE CYLINDR.	7.306-070.0	2
13	ZYL.SCHR. M10X 55 / CHEESE HEAD SCREW / VIS A TETE CYLINDR.	7.306-172.0	2
14	SEITENBESEN / SIDE BROOM / BALAI	6.905-626.0	1
15	SCHEIBE 10 / WASHER / RONDELLE	7.312-005.0	2
16	6KT-MUTTER M10 / HEXAGON NUT / ECROU HEXAGONAL	7.311-511.0	2
17	VERKLEIDUNG / COVER / CARROSSAGE	5.031-265.0	1
18	BL.SCHR. ST4,8X13 / SHEET METAL SCREW / VIS A TOLE	7.303-076.0	3
19	SCHEIBE 5 / WASHER / RONDELLE	7.312-264.0	3
20	GUMMIPUFFER / RUBBER BUFFER / BUTOIR CAOUTCHOUC	6.906-011.0	1
21	SCHEIBE 8 / WASHER / RONDELLE	7.312-277.0	1
22	6KT-MUTTER M 8 / HEXAGON NUT / ECROU HEXAGONAL	7.311-514.0	1
23	HANDGRIFF / HANDLE / POIGNEE	6.905-930.0	1
24	FEDERRING B 6 / SPRING WASHER / RONDELLE GROWER	7.313-003.0	1



"=> xxxxxx" = bis Werknummer / up to serial No. / jusqu' au No. de fabr. / "xxxxxx =>" = ab Werknummer / from serial No. / a partir du No. de fabr. /

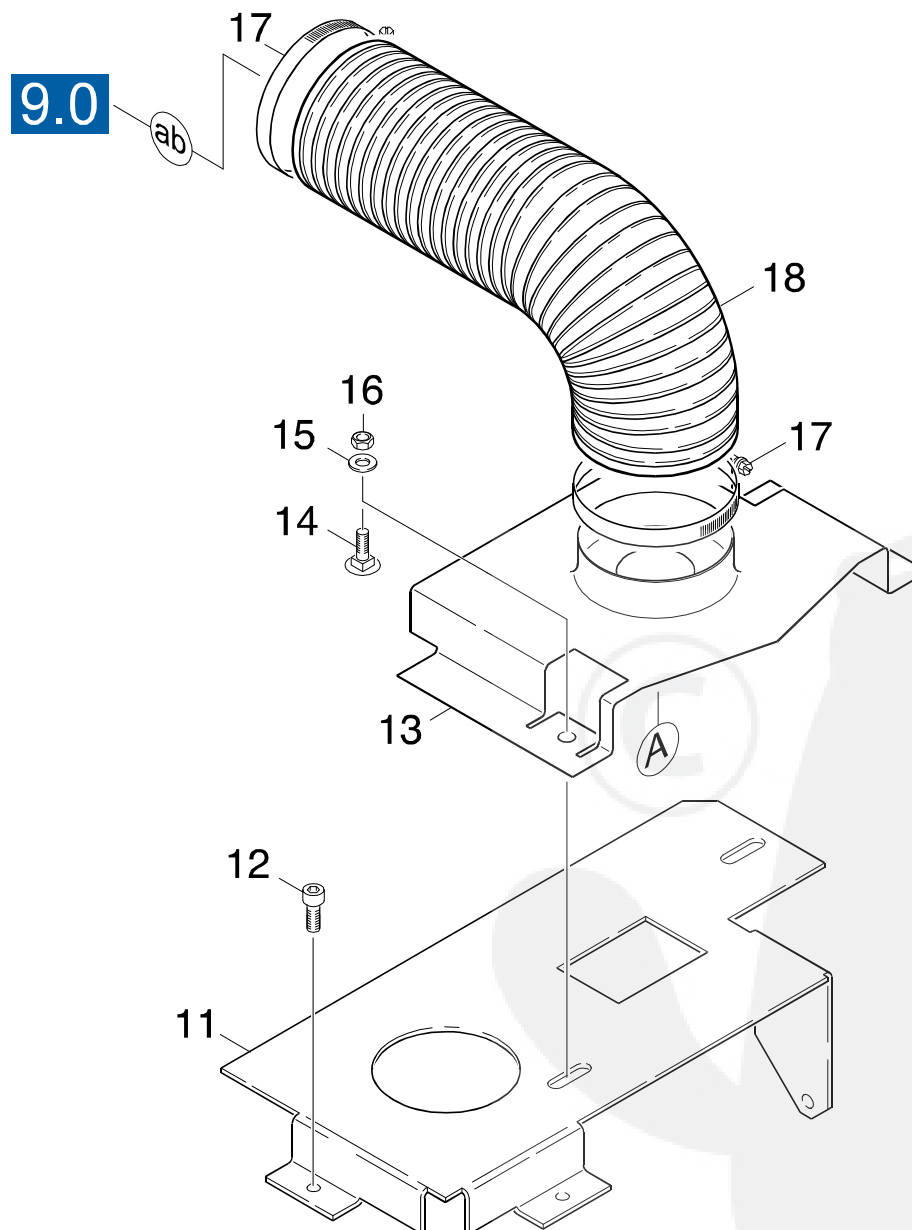
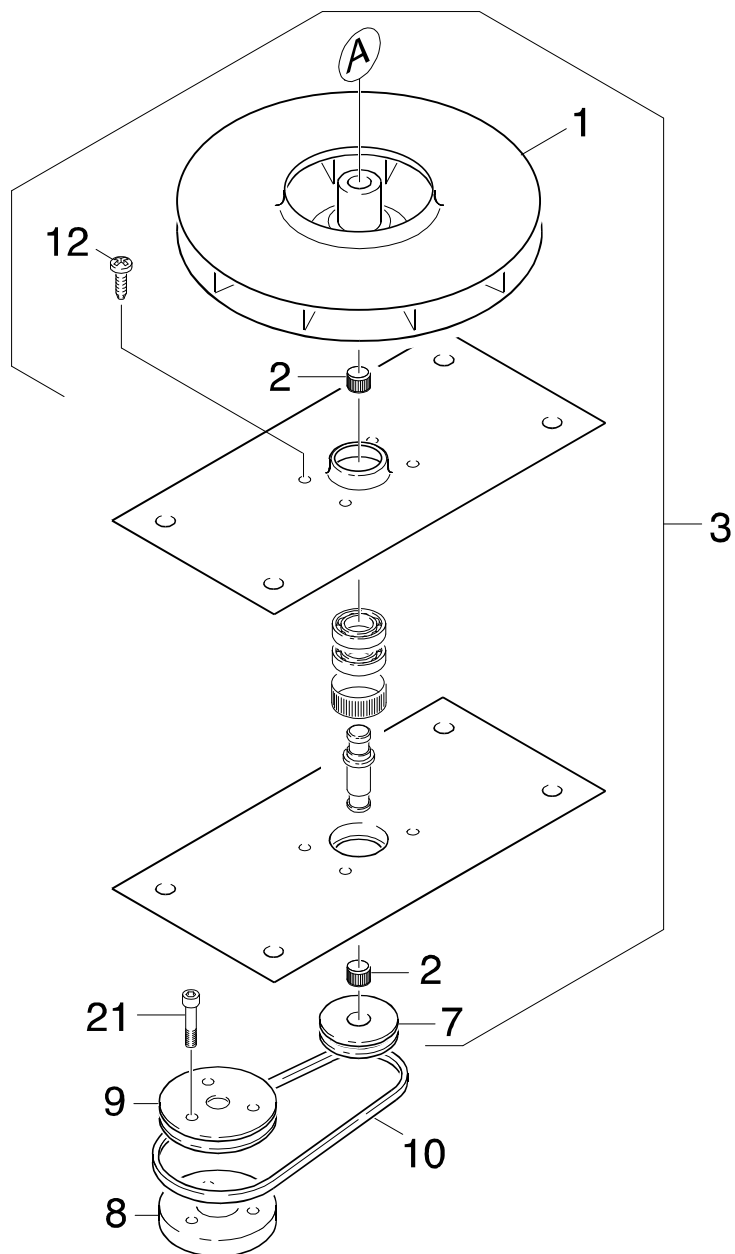
GRUPPE: 8.0 GEBLAESE
GROUP: 8.0 BLOWER
GRUPPE: 8.0 VENTILATEUR

A8

KMR-TRAC

GRUPPE: 8.0 GEBLAESE
GROUP: 8.0 BLOWER
GRUPPE: 8.0 VENTILATEUR





Symbolbeschreibung siehe M16 / symbol description see M16 / désignation de système voir M16 /

GRUPPE: 8.0 GEBLAESE
GROUP: 8.0 BLOWER
GROUPE: 8.0 VENTILATEUR

C8

KMR-TRAC

POS. ITM. POS.	BENNENNUNG DESCRIPTION DESIGNATION	TEILE-NR. PART-NO. NO.PIECE	STCK QTY. NBR.
1	GEBLAESERAD / BLOWER WHEEL / ROUE DE VENTILATEUR	6.484-043.0	1
2	TOLERANZRING / TOLERANCE RING / BAGUE	6.343-209.0	2
3	LAGER GEBLAESE / BEARING / PALIER	4.038-502.0	1
7	RIEMENSCHLEIBE / PULLEY / POULIE	5.625-257.0	1
8	KLEMMBUCHSE / CLAMP BUSH / DOUILLE DE SERRAGE	5.262-025.0	1
9	RIEMENSCHLEIBE / PULLEY / POULIE	5.625-258.0	1
10	KEILRIEMEN 5-441 LI / LARGE V-BELT / COURROIE TRAPEZOID.	6.348-290.0	1
11	BLECHTEIL / PLATE / TOLE	5.046-281.0	1
12	SCHRAUBE M 5X 8 / SCREW / VIS	7.303-036.0	6
13	BLECHTEIL / PLATE / TOLE	5.046-396.0	1
14	FL.RD.SCHR. M 8X 16 / SAUCER-HEAD SCREW / BOULON A TETE BOMBEE	7.303-193.0	2
15	SCHEIBE 8 / WASHER / RONDELLE	7.312-004.0	2
16	6KT-MUTTER M 8 / HEXAGON NUT / ECROU HEXAGONAL	7.311-004.0	2
17	SCHLAUCHSCHELLE / HOSE BAND CLIP / COLLIER DE SERRAGE	6.388-767.0	2
18	SAUGSCHLAUCH DN 80 / SUCTION HOSE / FLEXIBLE D'ASPIRATION	6.389-991.0	1
21	SCHRAUBE M 6X 20 / SCREW / VIS	7.306-092.0	3



"=> xxxxxx" = bis Werknummer / up to serial No. / jusqu' au No. de fabr. / "xxxxxx =>" = ab Werknummer / from serial No. / a partir du No. de fabr. /

GRUPPE: 9.0 FILTERKASTEN
GROUP: 9.0 FILTER BOX
GRUPPE: 9.0 FILTRE

A9

KMR-TRAC

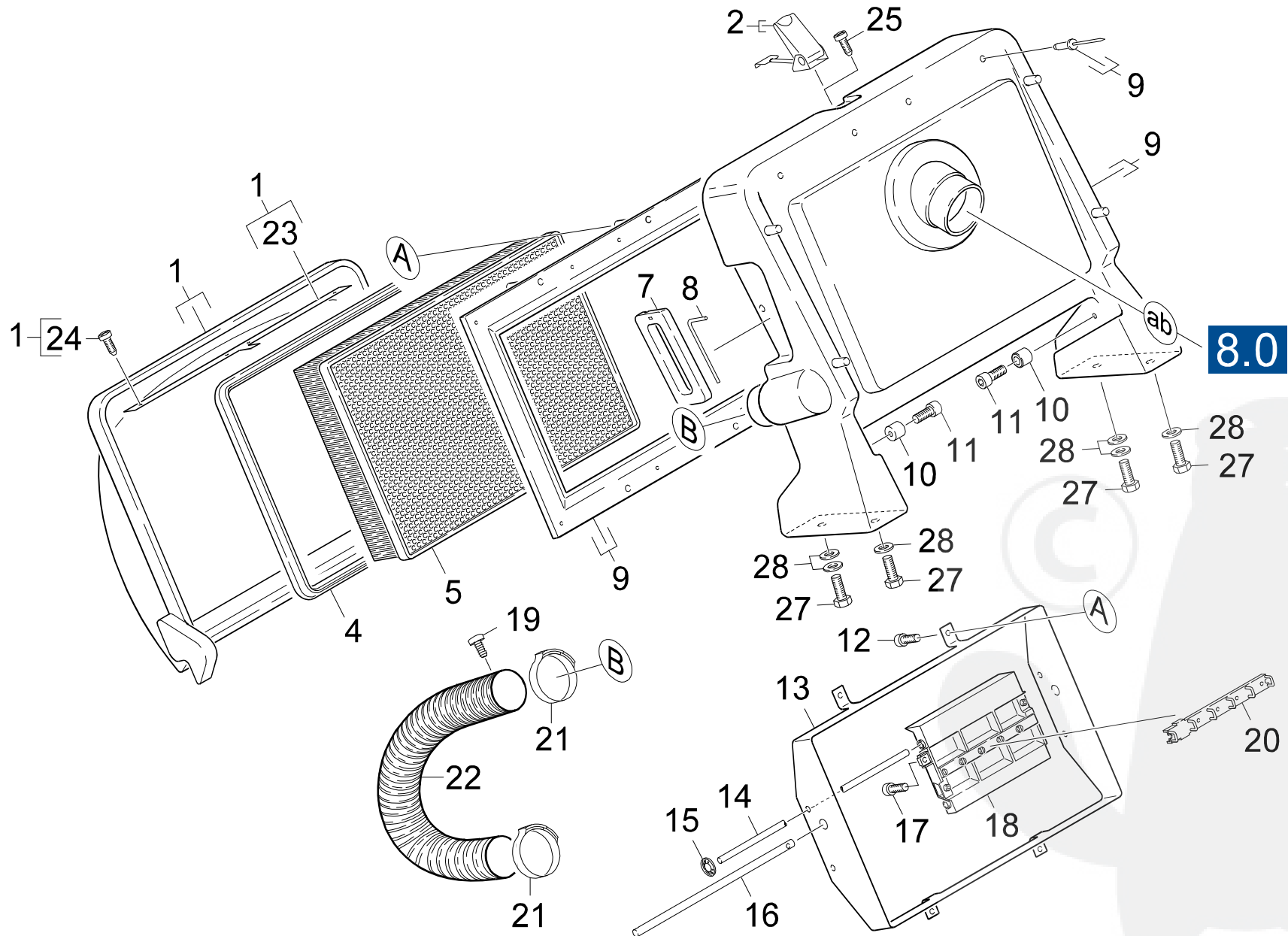
GRUPPE: 9.0 FILTERKASTEN
GROUP: 9.0 FILTER BOX
GRUPPE: 9.0 FILTRE



GRUPPE: 9.0 FILTERKASTEN
GROUP: 9.0 FILTER BOX
GRUPPE: 9.0 FILTRE

B9

KMR-TRAC



Symbolbeschreibung siehe M16 / symbol description see M16 / désignation de système voir M16 /

GRUPPE: 9.0 FILTERKASTEN
GROUP: 9.0 FILTER BOX
GROUPE: 9.0 FILTRE

C9

KMR-TRAC

POS. ITM. POS.	BENNENNUNG DESCRIPTION DESIGNATION	TEILE-NR. PART-NO. NO.PIECE	STCK QTY. NBR.
1	FORMTEIL KPL. / MOULDED PART / PREFORME	4.030-104.0	1
2	SPANNVERSCHLUSS / LOCK / MANDRIN	6.375-223.0	1
4	KANTENSCHUTZ / SHEATING / BORD DE PROTECTION	5.364-191.0	1
5	FILTER / FILTER / FILTRE	5.731-585.0	1
7	GRIFF / HANDLE / POIGNEE	5.321-115.0	1
8	HAKEN / HOOK / PATERE	5.037-061.0	1
9	FILTERKASTEN / FILTER BOX / FILTRE	4.730-076.0	1
10	BUCHSE / BUSH / DOUILLE	5.112-519.0	2
11	SCHRAUBE M 6X 20 / SCREW / VIS	7.306-092.0	2
12	SCHRAUBE M 6X 16 / SCREW / VIS	7.306-090.0	4
13	RAHMEN / FRAME / CADRE	4.050-301.0	1
14	STANGE / BAR / TIGE	5.107-140.0	2
15	SCHNELLBEFESTIGER / QUICK-FASTENER / ATTACHE RAPIDE	6.343-147.0	4
16	STAB / ROD / TIGE	5.107-167.0	1
17	ZYL.SCHR. M 6X 10 / CHEESE HEAD SCREW / VIS A TETE CYLINDR.	7.306-027.0	1
18	RUETTLERWAGEN / VIBRATOR MOTOR / MOTEUR DE VIBRATION	5.031-245.0	1
19	BL.SCHR. ST4,2X 9,5 / SHEET METAL SCREW / VIS A TOLE	7.303-071.0	2
	10253 =>		
20	ABSTREIFER / STRIPPER / DEVETISSEUR	5.030-900.0	1
21	SCHLAUCHSCHELLE / HOSE BAND CLIP / COLLIER DE SERRAGE	6.388-713.0	2
22	SAUGSCHLAUCH / SUCTION HOSE / FLEXIBLE D'ASPIRATION	6.389-990.0	2
23	BLECHTEIL / PLATE / TOLE	5.047-760.0	1
24	SCHRAUBE M 6X 12 / SCREW / VIS	7.303-046.0	4
25	SCHRAUBE 3,5X14 / SCREW / VIS	6.303-175.0	2
27	6KT-SCHR. M 8X 16 / HEXAGONAL HEAD SCREW / VIS HEXAGONAL	7.304-395.0	4
28	SCHEIBE 8 / WASHER / RONDELLE	7.312-277.0	6
29	SCHLAUCHSCHELLE / HOSE BAND CLIP / COLLIER DE SERRAGE	6.390-043.0	2

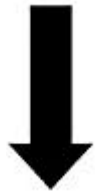


"=> xxxxxx" = bis Werknummer / up to serial No. / jusqu' au No. de fabr. / "xxxxxx =>" = ab Werknummer / from serial No. / a partir du No. de fabr. /

Bestellhinweis

Bei Ihrer Bestellung sind unbedingt anzugeben :

1.	2.	3.	4.	5.
Gerätetyp Machine model Type d'appareils	Herstell-Nr. Serial-No. No. de série	Benennung Description Désignation	Teile-Nr. Part No. Référence	Stückzahl Piece No. Quantité



**siehe Typenschild
see name-plate
voir plaque signalétique**



**siehe Ersatzteilliste
see spare parts list
voir liste des pièces de rechange**

- Die Ersatzteile, welche als Meterware geliefert werden, sind auf Einbaulänge selbst zu kürzen. Ebenso sind die Stückzahlen in den jeweiligen Gruppen als Mindestbestellmengen = 1m angegeben und können je nach Bedarf auf weitere volle Meterzahlen erhöht und bestellt werden.
- Spare Parts which are delivered as cut goods have to be shortened to installation length. The quotation of quantity in each group refers to the minimum order quantity = 1m and may be ordered and raised to further full metre-values according to demand
- Les pièces de rechange qui sont livrées comme marchandise au mètre sont à raccourcir selon la longueur d'installation. Les indications de quantité dans chaque group se réfèrent à des valeurs de mètre de plus.
- Diese Ersatzteilliste erscheint in gedruckter Form sowie als Mikrofiche. Bei Querverweisen bezieht sich die Angabe "Seitenzahl" auf die gedruckte Ersatzteilliste und die Angabe "Bildtafel" auf die Mikrofichenausgabe.
- This spare parts list is published both in printed form and as a microfiche. In the cross-references, "page number" refers to the printed spare parts list and "display table" to the microfilm edition.
- Cette liste de pièces de rechange est aussi bien imprimée que publiée sous forme de microfiche. Les indications transversales renvoient au "numéro de page" sur la liste imprimée des pièces de rechange et à la "planche" sur la microfiche.

Bitte beachten Sie, daß der Teileumfang dieser Ersatzteilliste nicht unbedingt dem Lieferumfang Ihres Gerätes entspricht.

For your information: It could be that certain parts quoted in this spare parts list were not included with the machine delivery.

Pour votre information: il se peut que certaines pièces détachées mentionnées sur la liste ne vous aient pas été livrées avec l'appareil.

Die in dieser Ersatzteilliste nicht aufgeführten Einzelteile, bestellen Sie bitte direkt beim Vertragskundendienst des jeweiligen Herstellers.

Please order the individual parts not included in this assembly directly with the contract aftersales service of the manufacturer in question.

Veillez s'il vous plaît, commander les pièces détachées qui ne sont indiquées dans notre liste des pièces détachées, directement auprès du service après-vente des fabricants en question.

Bei Bestellung von lackierten Teilen, welche in der Ersatzteilliste nicht in verschiedenen Farben ausgewiesen sind, ist zusätzlich die Farbnummer oder Farbe mit anzugeben. Diese finden Sie auf dem Typenschild oder Farbschild Ihres Gerätes.

Upon ordering of varnished parts which are not mentioned in the spare parts list as parts with different colors, kindly additionally mention the number of the color. It can be seen on the type plate of the color plate of your machine.

Commandant des parts vernissés qui ne sont pas mentionnés comme parts avec une couleur différente dans la liste des pièces détachées, veuillez mentionner de plus le numéro de la couleur. Il se trouve sur la plaque signalétique ou la plaque de couleur de votre machine.

Auflistungen von Einzelteilen bei Ersatzteil - u. Pumpensets sind in der Reihe "16" einzusehen, bzw. direkt unter dem entsprechenden Set aufgelistet.

Listings of single parts upon spare parts kits and pump kits can be seen in row "16" or directly listed below the corresponding kit.
Des établissements des pièces détachées en ce qui concerne les kits des pièces de rechange et les kits de pompes, peuvent être vus à la ligne "16" ou ils sont répertoriés directement au-dessous du jeu correspondant.

Technische Änderungen im Rahmen der Weiterentwicklung sowie das Recht der ausschließlichen Auswertung unseres geistigen Eigentums behalten wir uns vor. Vervielfältigung und Nachdruck nur mit Genehmigung und Urheberhinweis möglich.

We reserve the right to make technical changes in the course of development work and the right to make exclusive use of our intellectual property. This spare parts list may be duplicated or reprinted only with our approval and with acknowledgement of our copyright.

Nous nous réservons le droit de toutes modifications techniques dans le cadre du perfectionnement des mises au point ainsi que le droit de la mise en valeur exclusive de notre propriété intellectuelle. Polycopie et reproduction exclusivement après accord et avec mention de l'auteur.

GRUPPE: 1.0 GRUNDRAHMEN A1-G1
 GROUP: 1.0 BASE FRAME
 GROUPE: 1.0 CADRE

GRUPPE: 2.0 LENKUNG A2-E2
 GROUP: 2.0 STEERING
 GROUPE: 2.0 COMMANDE

GRUPPE: 3.0 SITZ A3-C3
 GROUP: 3.0 SEAT
 GROUPE: 3.0 SIEGE

GRUPPE: 4.0 FAHRWERK A4-G4
 GROUP: 4.0 RUNNING GEAR
 GROUPE: 4.0 MECANISME D'ROULEMENT

GRUPPE: 5.0 KEHRWALZENKASTEN A5-E5
 GROUP: 5.0 SWEEP ROLLER CHEST
 GROUPE: 5.0 COFFRE DE CYLINDR.BALAYER

GRUPPE: 6.0 MOTOR EINZELTEILE A6-C6
 GROUP: 6.0 MOTOR
 GROUPE: 6.0 MOTEUR

GRUPPE: 7.0 SEITENBESEN A7-C7
 GROUP: 7.0 SIDE BROOM
 GROUPE: 7.0 BALAI


GRUPPE: 8.0 GEBLAESE A8-C8
 GROUP: 8.0 BLOWER
 GROUPE: 8.0 VENTILATEUR

GRUPPE: 9.0 FILTERKASTEN A9-C9
 GROUP: 9.0 FILTER BOX
 GROUPE: 9.0 FILTRE



1 BEISPIEL: VERSION 1
 EXAMPLE: VERSION 1
 EXEMPLE: VERSION 1

3.0 BEISPIEL: SIEHE IN GRUPPE 3
 EXAMPLE: SEE IN GROUP 3
 EXEMPLE: VOIR EN GROUPE 3

 WICHTIGER HINWEIS
 IMPORTANT REMARK
 REMARCAQUAGE IMPORTANT

BESTELLHINWEIS SIEHE M15
 EXAMPLE ORDER SEE M15
 EXEMPLE DE COMMANDE VOIR M15

VARIANTENÜBERSICHT SIEHE L16
 VARIANTS SURVEY SEE L16
 VUE D'ENSEMBLE DE VARIANTS VOIR L16