

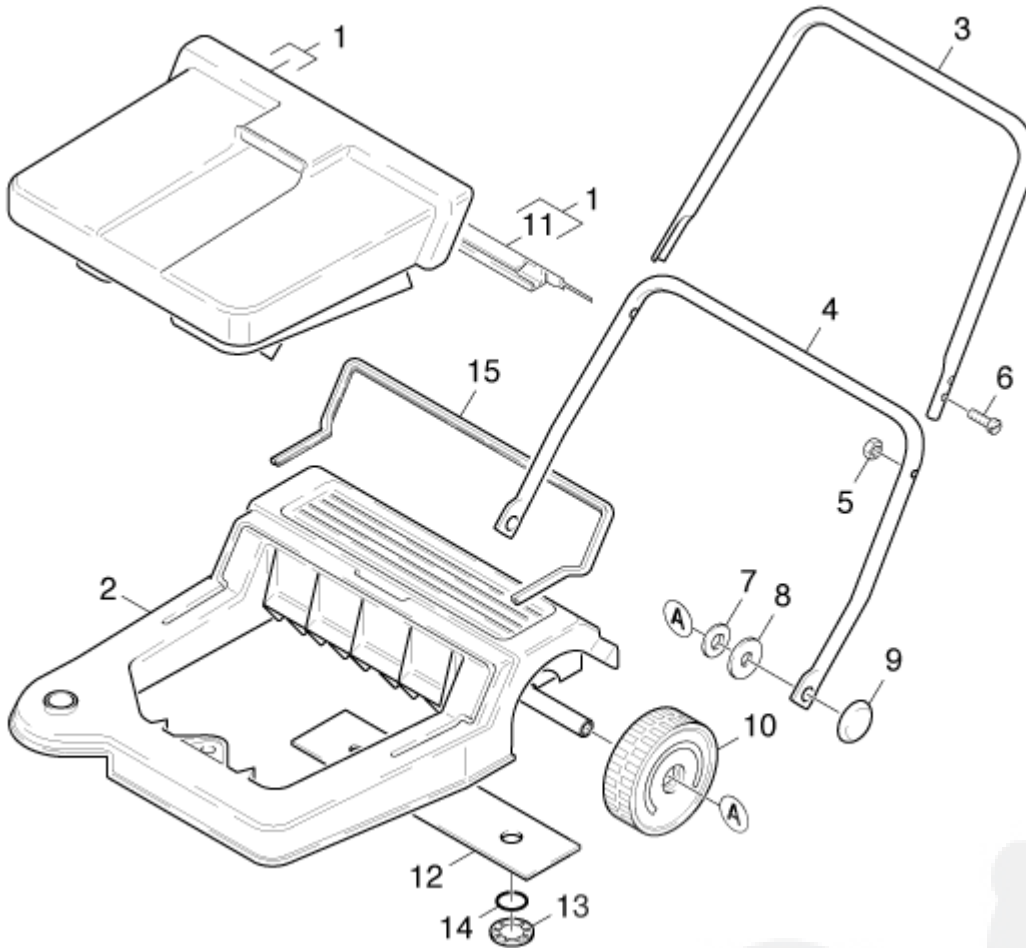
## onderdelenlijst en tekening

5.952-454 /

KM 550 /

1.0 PIECE PARTS

200740



1	4.070-181.0	TANK	1
2	5.050-040.0	FRAME	1
3	5.034-356.0	STRAP	1
4	5.034-355.0	STRAP	1
5	7.311-003.0	HEXAGON NUT	2
6	7.306-463.0	CHEESE HEAD SCREW	2
7	6.362-667.0	JOINT RING	2
8	7.312-008.0	WASHER	2
9	6.343-127.0	QUICK-FASTENER	2
10	5.515-017.0	WHEEL	2
11	5.030-629.0	RUBBERLIP	1
12	5.002-892.0	PLATE	1
13	6.343-161.0	LOCK WASHER	2
14	6.362-105.0	GASKET	2
15	5.365-151.0	SEAL	1

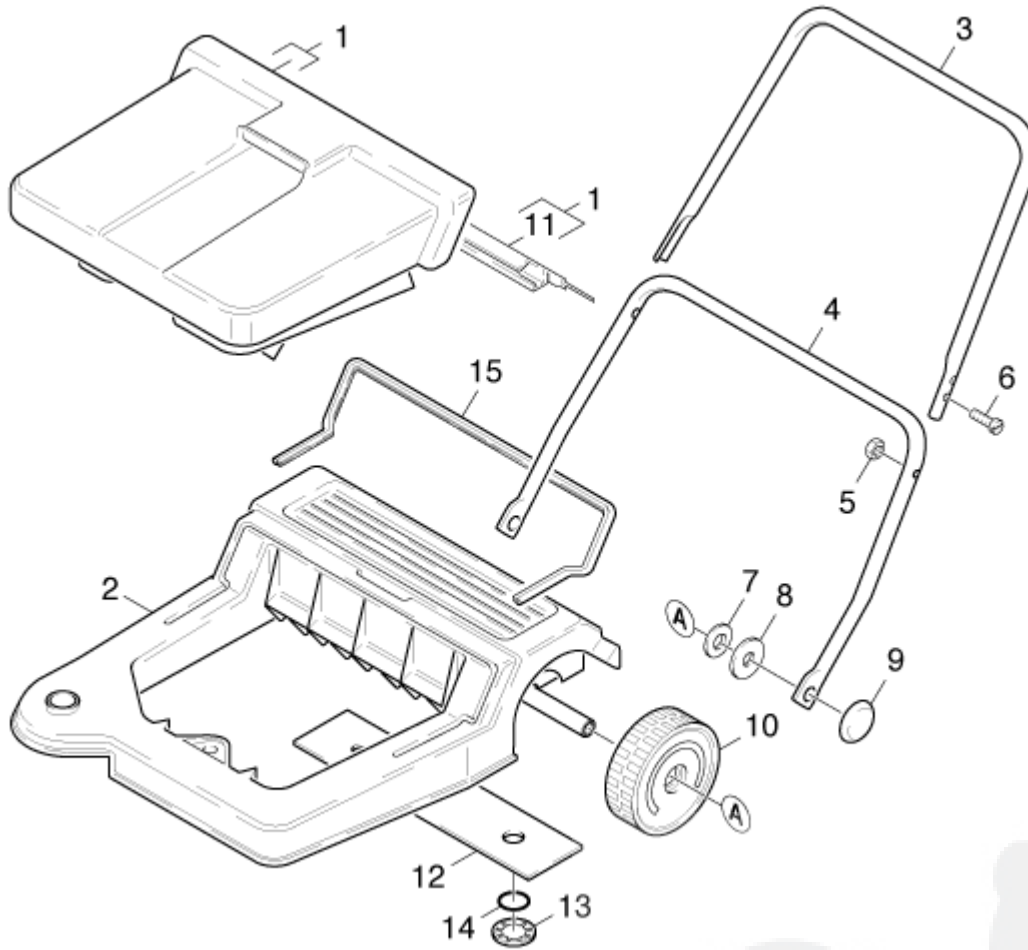
## onderdelenlijst en tekening

5.952-454 /

KM 550 /

1.0 PIECE PARTS

200740



14 6.362-105.0 GASKET

2

15 5.365-151.0 SEAL

1

ORDER ACCORDING TO CONSUMPTION

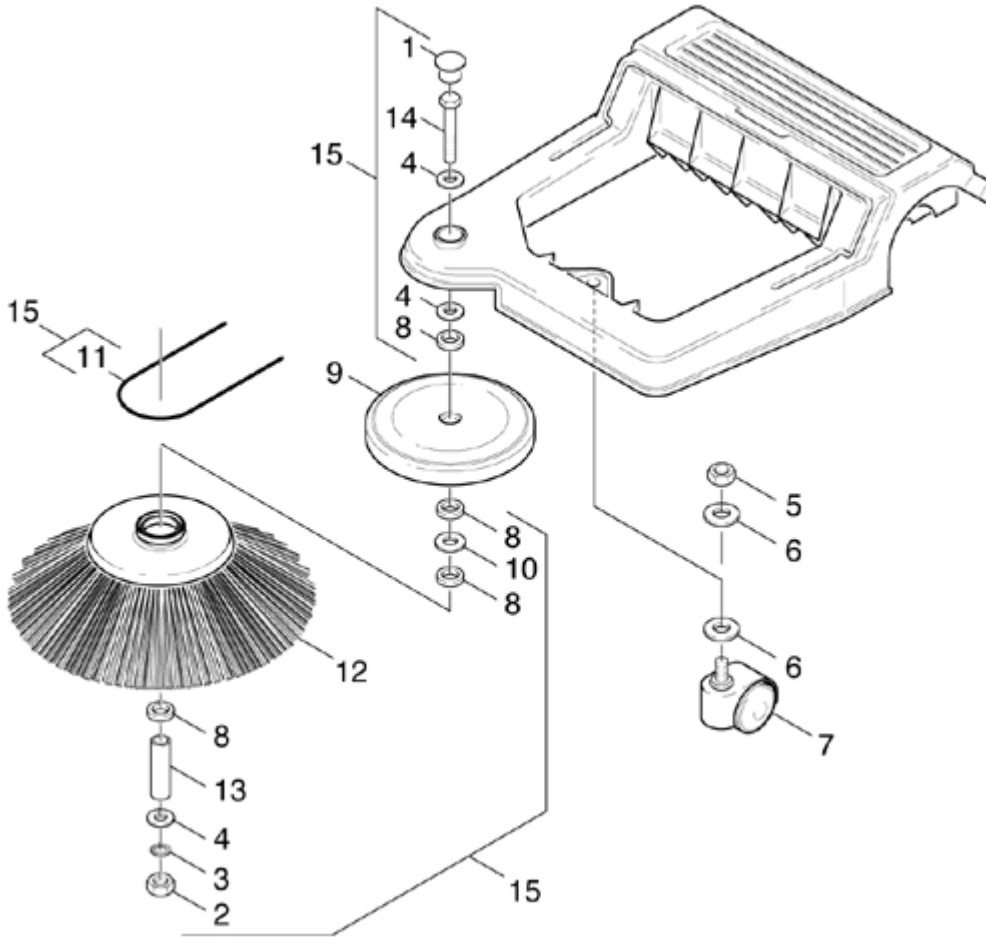
## onderdelenlijst en tekening

5.952-454

/ KM 550

/ 2.0 BROOM

200740



1	6.387-996.0	CAP	1
2	7.311-004.0	HEXAGON NUT	1
3	7.312-233.0	SERRATED LOCK WASHER	1
4	7.312-277.0	WASHER	3
5	7.311-202.0	HEXAGON NUT	1
6	7.312-285.0	WASHER	2
7	6.435-133.0	CASTOR	1
8	6.362-667.0	JOINT RING	4
9	5.515-016.0	WHEEL	1
10	7.312-008.0	WASHER	1
11	6.362-713.0	GASKET	1
12	5.762-100.0	BRUSH	1
13	5.028-117.0	PIPE	1
14	7.304-402.0	HEXAGONAL HEAD SCREW	1
15	2.883-166.0	BRUSH INSERT KIT	1

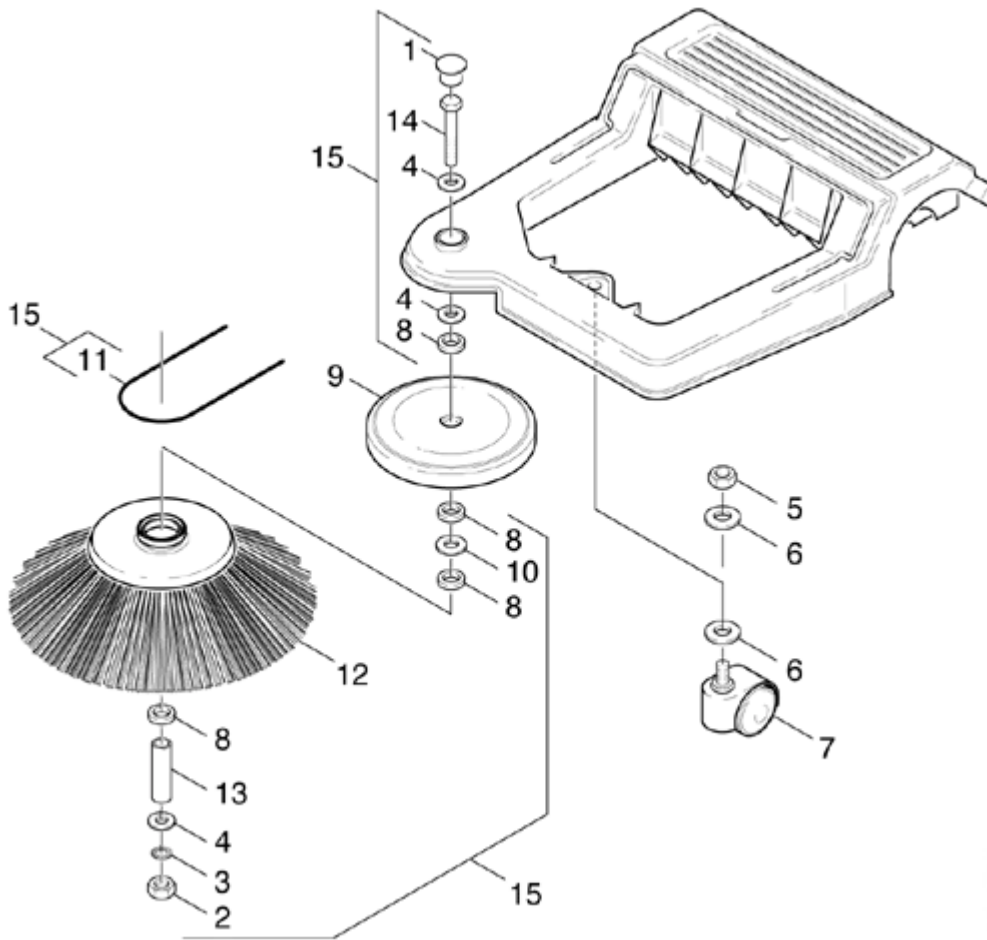
## onderdelenlijst en tekening

5.952-454 /

KM 550 /

2.0 BROOM

200740



14 7.304-402.0 HEXAGONAL HEAD SCREW

1

15 2.883-166.0 BRUSH INSERT KIT

1

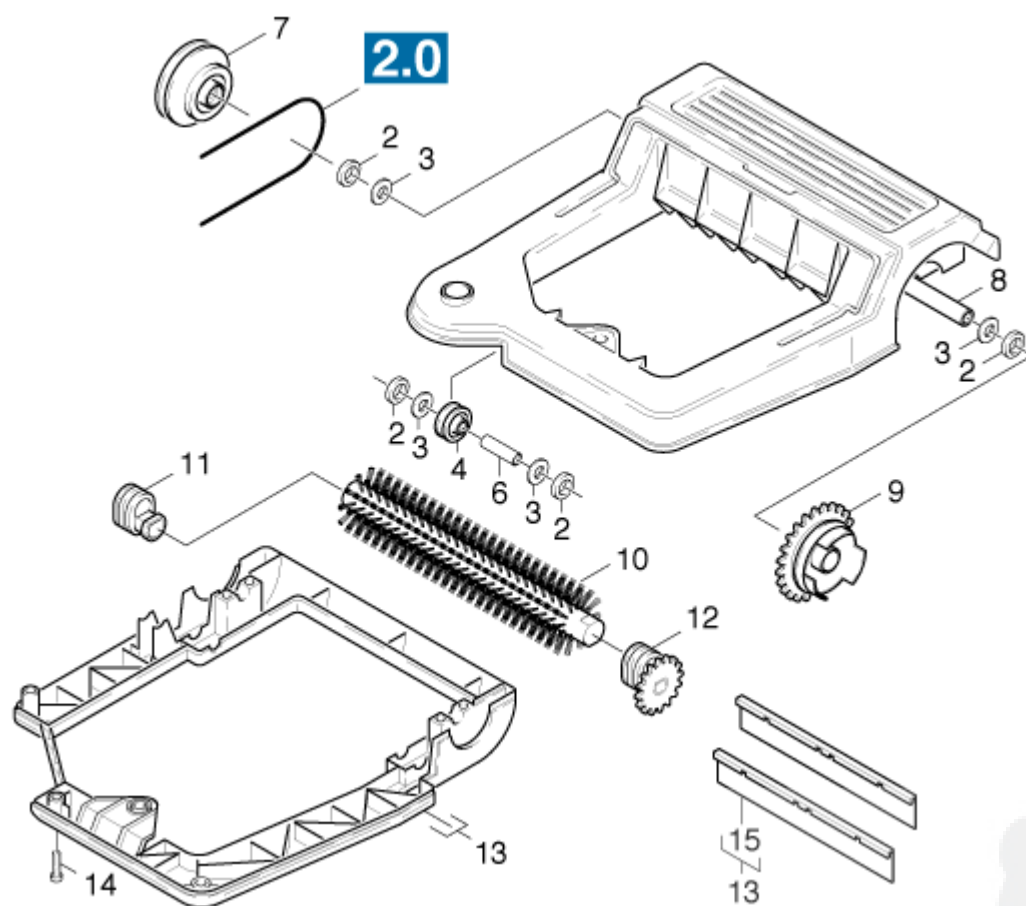
## onderdelenlijst en tekening

5.952-454

/ KM 550

/ 3.0 GEAR

200740



2	7.312-008.0	WASHER	4
3	6.362-667.0	JOINT RING	4
4	5.625-228.0	PULLEY	1
6	5.028-114.0	PIPE	1
7	5.625-229.0	PULLEY	1
8	5.028-115.0	PIPE	1
9	5.352-034.0	GEAR WHEEL	1
10	5.762-099.0	BRUSH ROLL	1
11	4.250-036.0	BEARING	1
12	4.250-037.0	BEARING	1
13	5.066-343.0	COVER	1
14	6.303-025.0	OVAL HEAD SCREW	7
15	5.030-735.0	DUST PROTECTIVE	2

## onderdelenlijst en tekening

5.952-454 /

KM 550 /

3.0 GEAR

200740

