

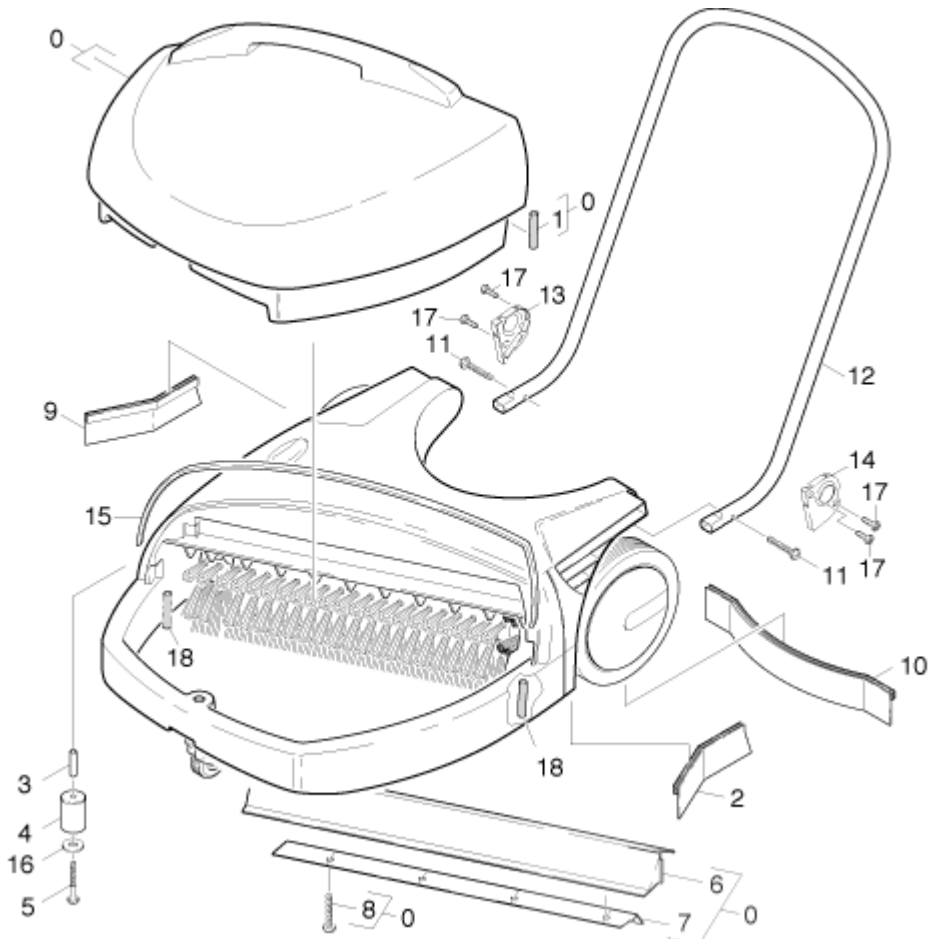
## onderdelenlijst en tekening

5.958-204 /

KM 650 I /

1.0 SWEEP TANK

200740



0	4.070-304.0 TANK	1
	<a href="#">/ =&gt; 21899</a>	
0	4.070-405.0 TANK	1
	<a href="#">21900 =&gt;</a>	
1	5.364-220.0 RUBBER GASKET	1
2	5.365-223.0 SEAL	1
3	5.110-710.0 SLEEVE	1
4	5.515-045.0 ROLLER	1
5	7.303-111.0 SCREW	1
6	5.031-449.0 WEDGE	1
	<a href="#">/ =&gt; 21899</a>	
6	5.031-897.0 WEDGE	1
	<a href="#">21900 =&gt;</a>	
7	5.031-551.0 RUBBERLIP	1
	<a href="#">/ =&gt; 21899</a>	
7	5.031-896.0 RUBBERLIP	1
	<a href="#">21900 =&gt;</a>	

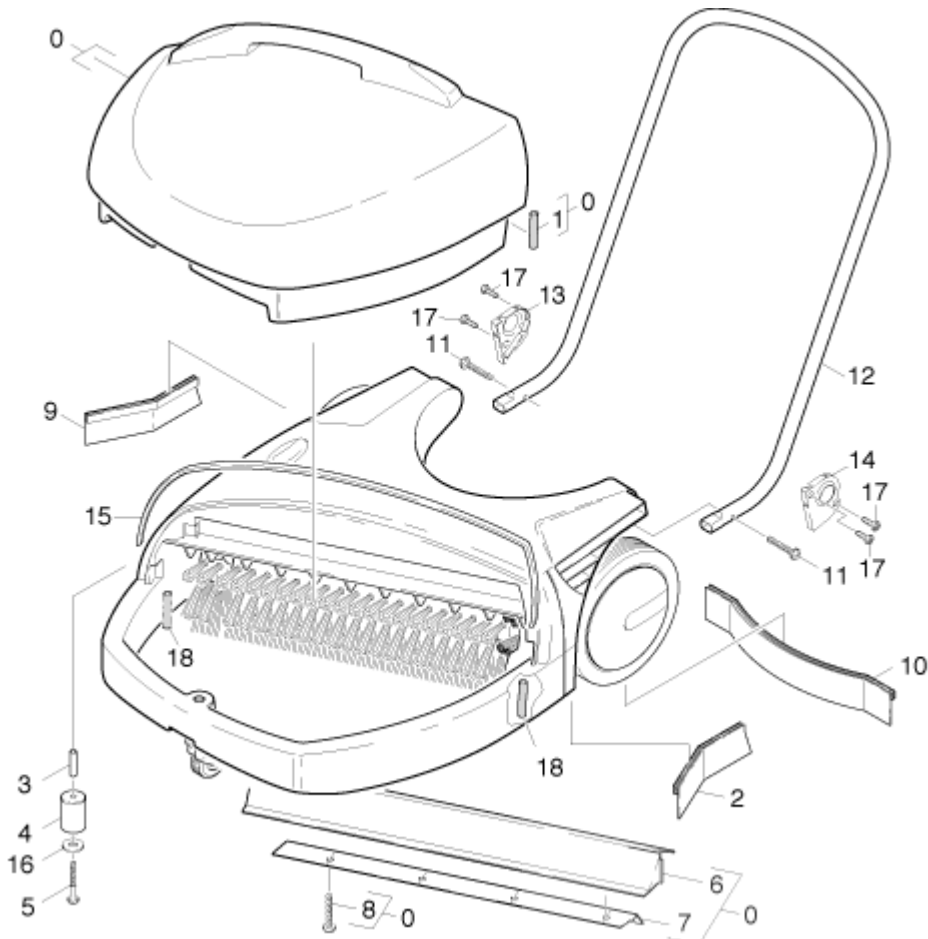
## onderdelenlijst en tekening

5.958-204 /

KM 650 I /

1.0 SWEEP TANK

200740



/=> 21899

7	5.031-896.0	RUBBERLIP	1
	21900 =>		
8	6.303-155.0	SCREW	7
9	5.365-224.0	SEAL	1
10	5.365-225.0	SEAL	1
11	6.303-300.0	SCREW	2
12	5.034-548.0	SHEARING SHACKLE	1
13	5.031-612.0	SCREEN	1
14	5.031-613.0	SCREEN	1
15	5.364-218.0	RUBBER GASKET	1
16	7.312-002.0	WASHER	1
17	7.303-092.0	SCREW	4
18	5.364-219.0	RUBBER GASKET	2

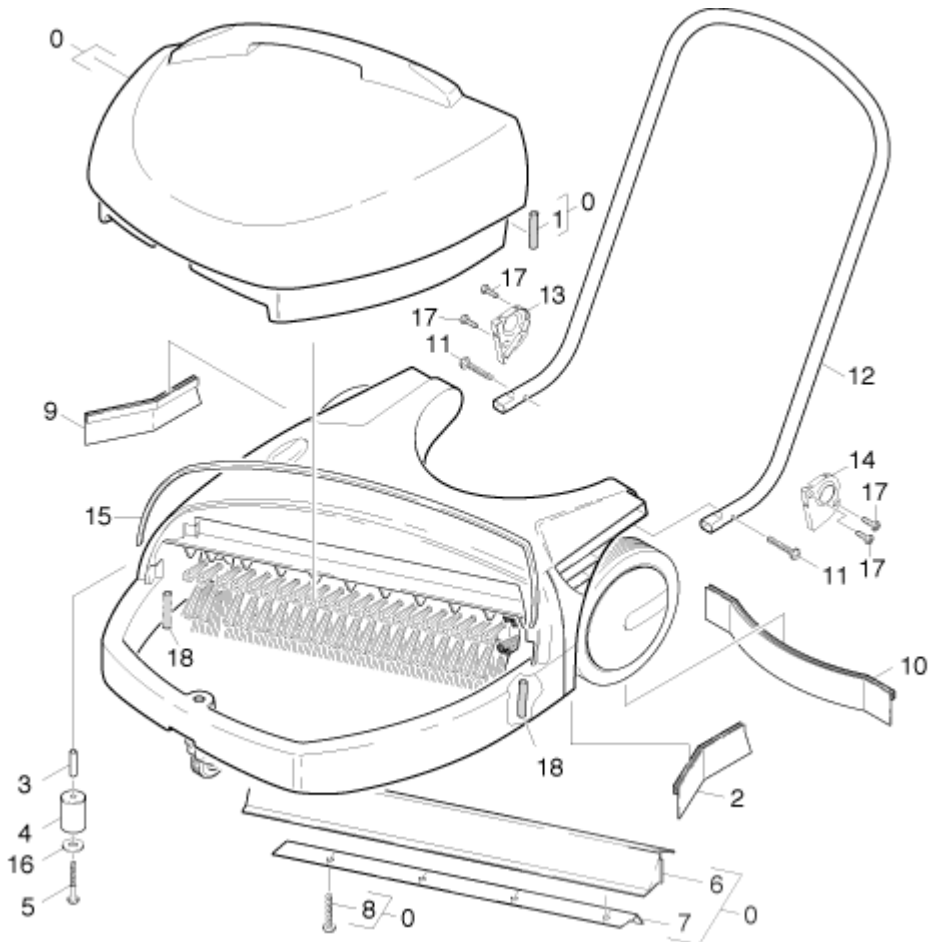
## onderdelenlijst en tekening

5.958-204 /

KM 650 I /

1.0 SWEEP TANK

200740



18 5.364-219.0 RUBBER GASKET

2

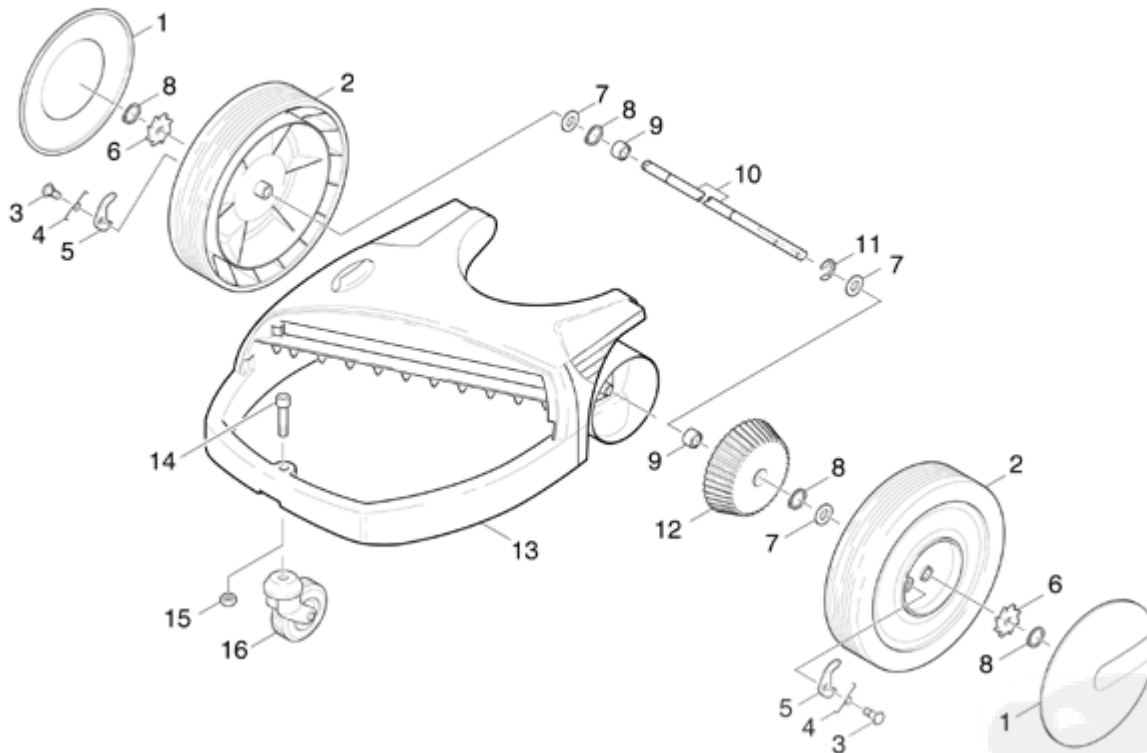
## onderdelenlijst en tekening

5.958-204 /

KM 650 I /

2.0 GEAR

200740



1	5.063-871.0	COVER	1
2	5.515-110.0	WHEEL	2
3	5.305-268.0	FIXING SCREW	2
4	5.332-429.0	LEG SPRING	2
5	5.001-750.0	CATCH	2
6	5.352-059.0	FREE RUNNING	2
7	7.312-075.0	WASHER	3
8	7.343-003.0	SPRING CLIP	4
9	6.403-006.0	PLAIN BEARING	2
10	5.105-256.0	AXLE	1
11	7.343-205.0	LOCK WASHER	1
12	5.354-010.0	ANGULAR WHEEL	1
13	5.050-097.0	FRAME	1
	<a href="#">REPL.BLECHT.11/01 / / =&gt;</a>	<a href="#">21900</a>	
13	5.050-133.0	FRAME	1
	<a href="#">219901 =&gt;</a>		

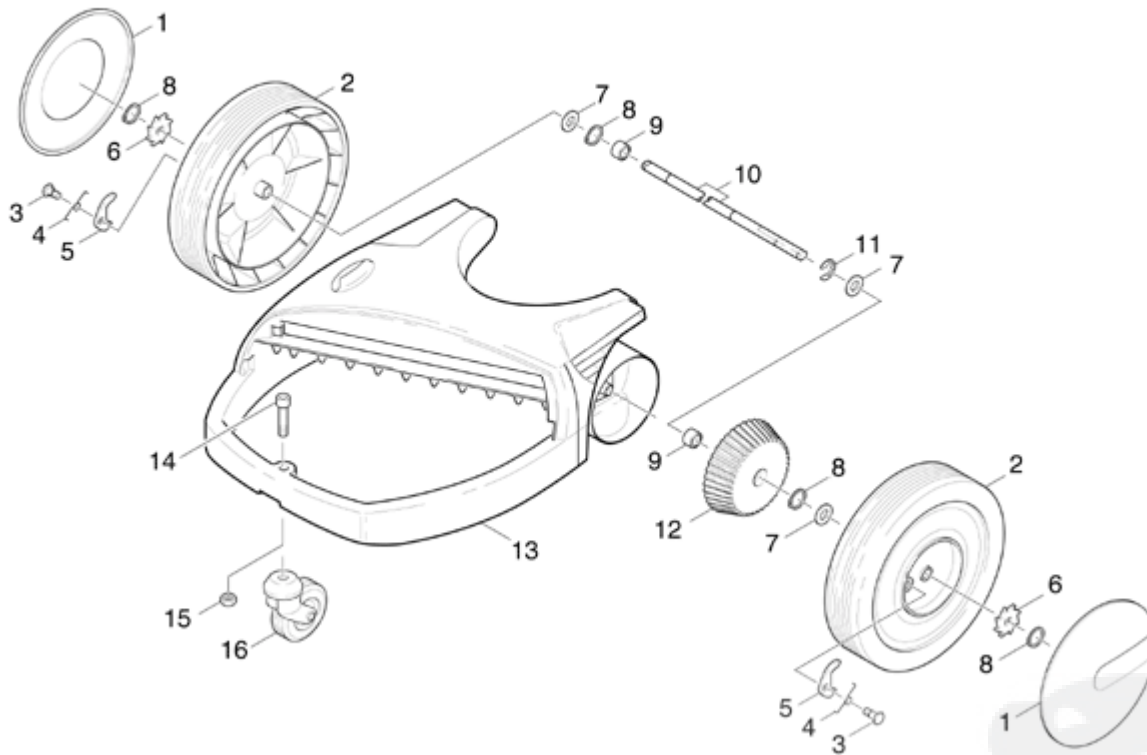
## onderdelenlijst en tekening

5.958-204 /

KM 650 I /

2.0 GEAR

200740



REPL.BLECHT.11/01 // => 21900

13	5.050-133.0	FRAME	1
	219901 =>		
14	7.306-069.0	CHEESE HEAD SCREW	1
15	7.311-511.0	HEXAGON NUT	1
16	6.435-239.0	CASTOR	1

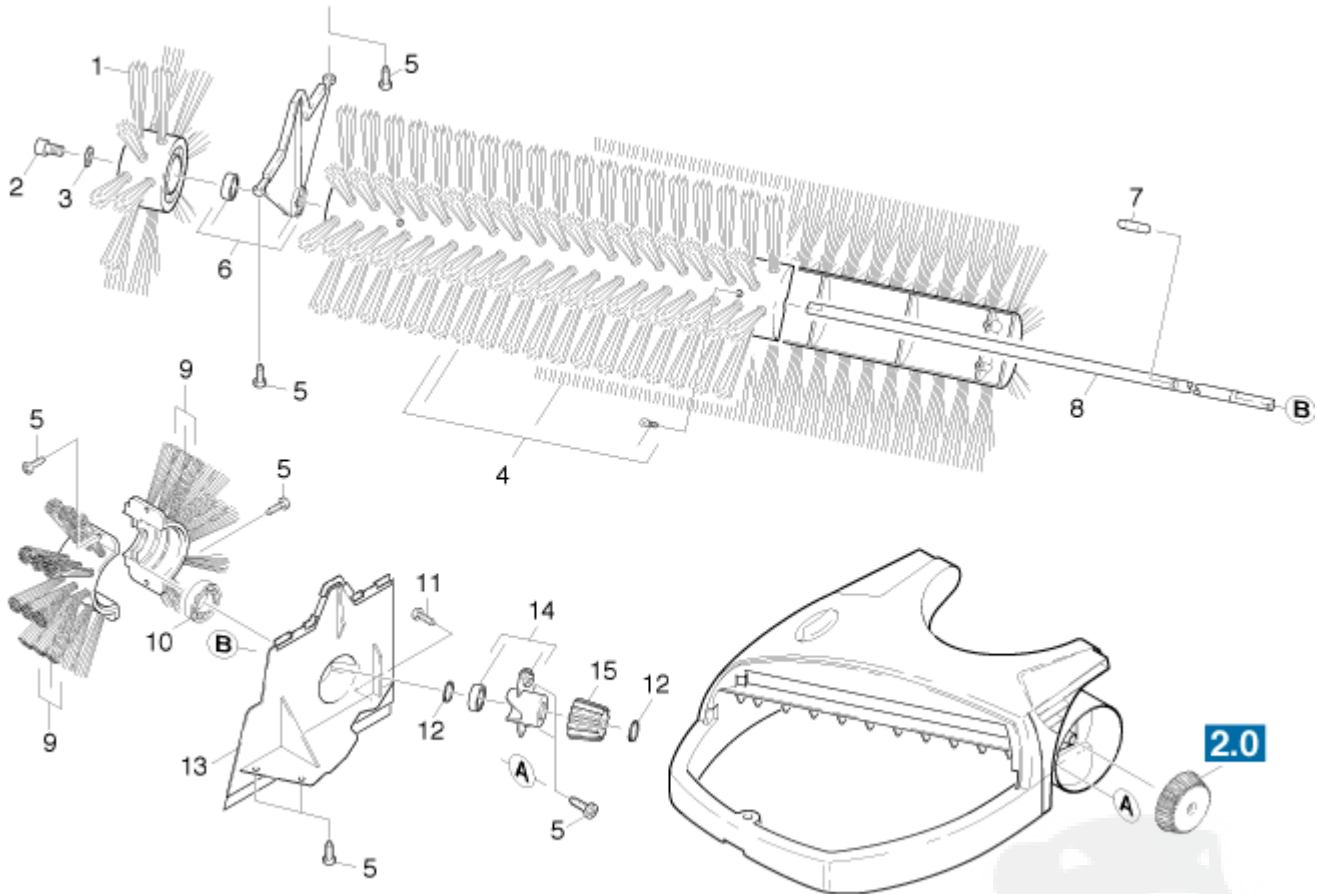
## onderdelenlijst en tekening

5.958-204 /

KM 650 I

/3.0 REVERSING ROLLING MILL

200740



1	6.906-043.0	SIDE REVERSING ROLL MILL	1
2	7.304-382.0	HEXAGONAL HEAD SCREW	1
3	7.312-260.0	WASHER	1
4	6.906-042.0	REVERSING ROLLING MILL	1
	/=>	<a href="#">21899</a>	
4	6.906-234.0	REVERSING ROLLING MILL	1
		<a href="#">21900 =&gt;</a>	
5	6.303-155.0	SCREW	8
6	5.250-085.0	END PLATE	1
7	7.314-840.0	GROOVED PIN	2
8	5.105-286.0	AXLE	1
9	6.906-235.0	REVERSING ROLLING MILL	1
10	7.401-024.0	BALL BEARING	1
11	7.303-109.0	SCREW	1
12	7.343-003.0	SPRING CLIP	2
13	5.250-106.0	END PLATE	1

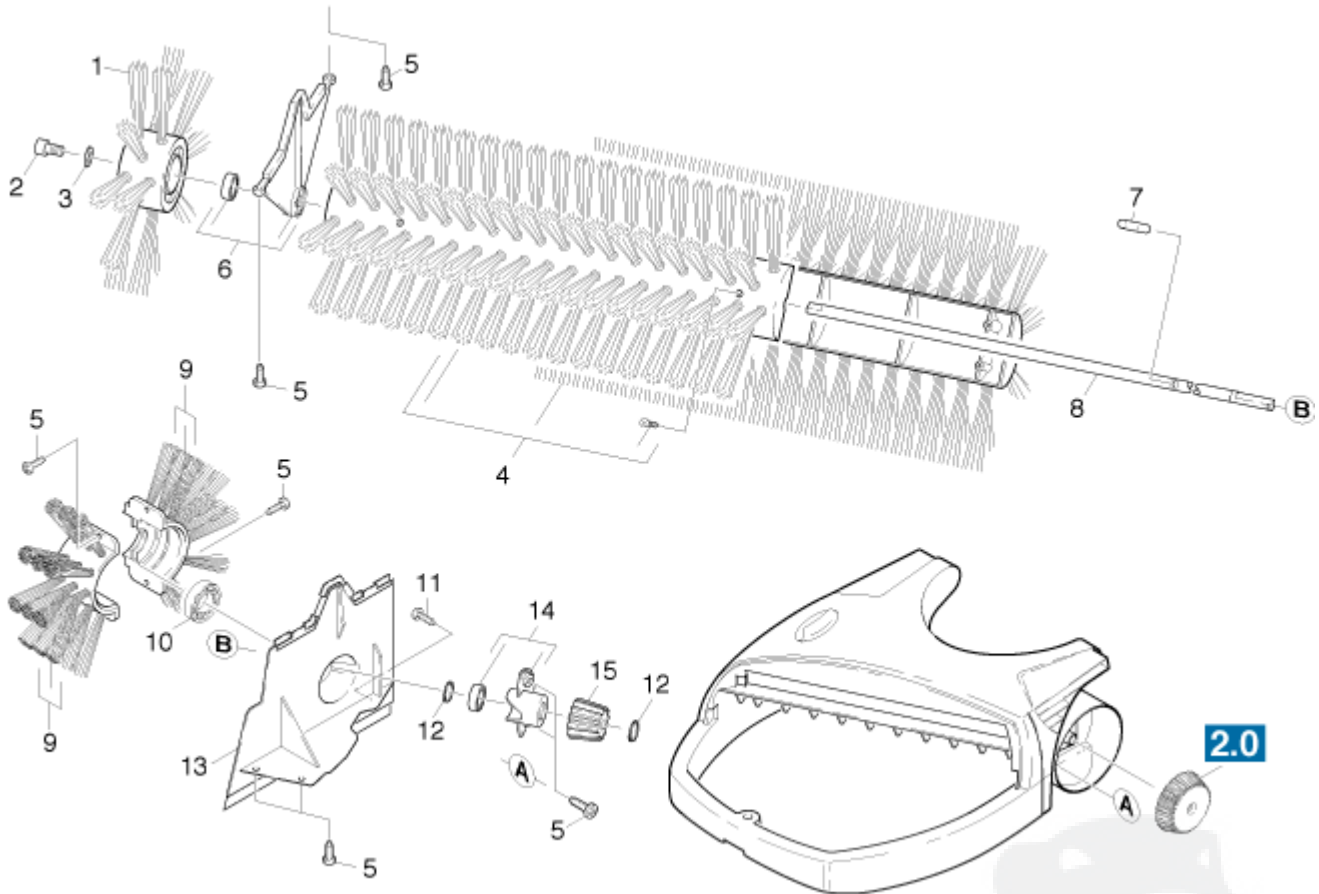
## onderdelenlijst en tekening

5.958-204 /

KM 650 I

/3.0 REVERSING ROLLING MILL

200740



11	7.303-109.0	SCREW	1
12	7.343-003.0	SPRING CLIP	2
13	5.250-106.0	END PLATE	1
14	5.122-327.0	FLANGE	1
15	5.354-009.0	ANGULAR WHEEL	1