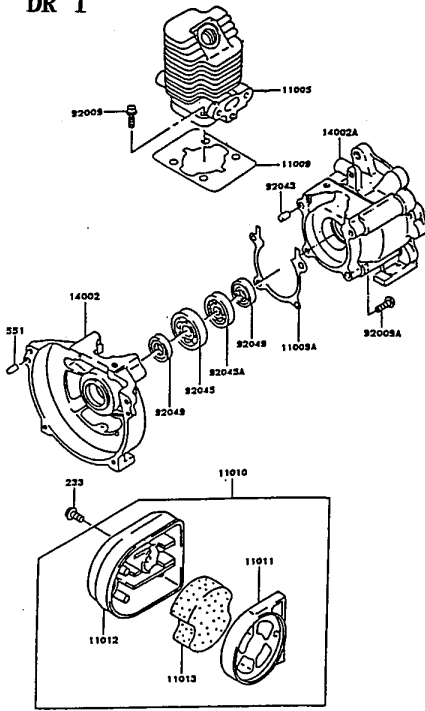
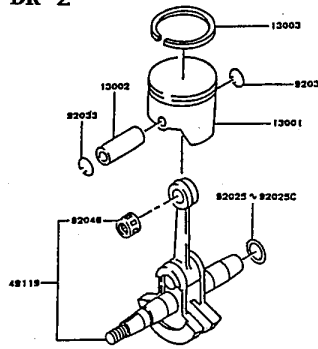


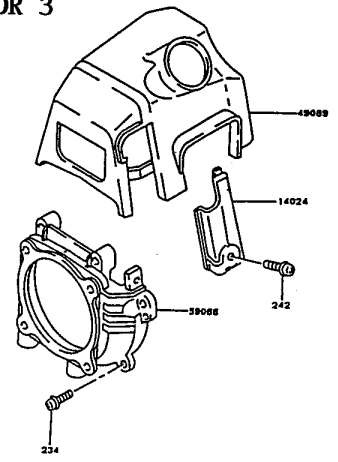
DR 1



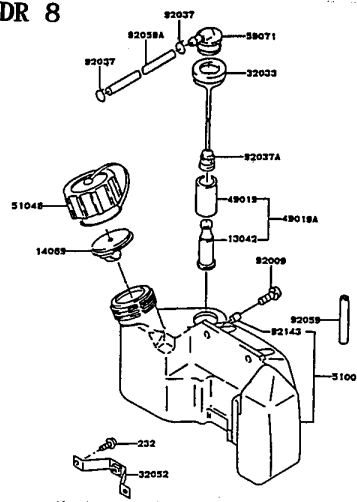
DR 2



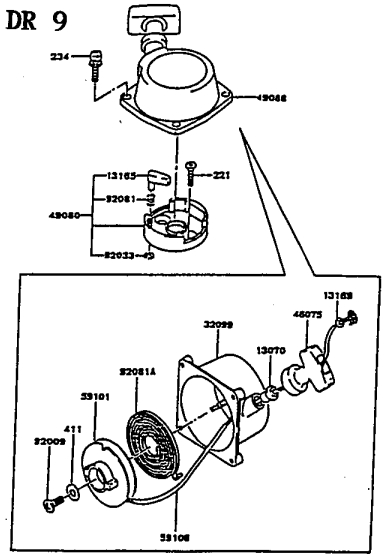
DR 3



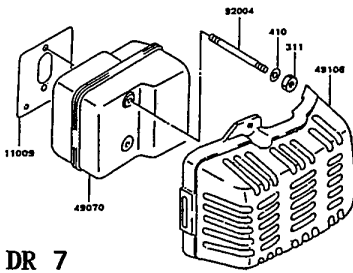
DR 8



DR 9



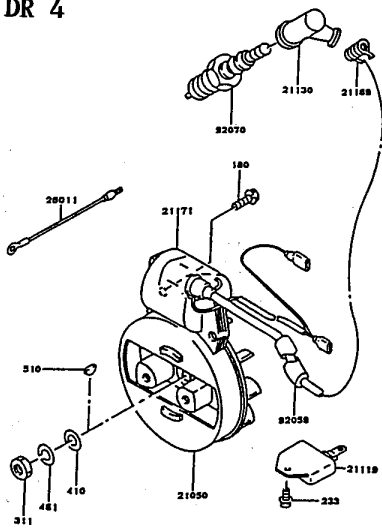
DR 7



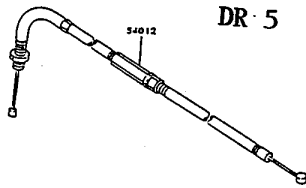
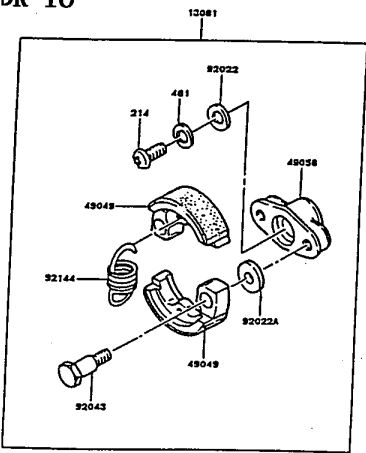
NO.	CODE NO.	NAME	QTY	MODEL	YEN
11005	11005-2080	CYLINDER-ENGINE	1	TG18D-BF46	DR1
11009	11009-2272	GASKET, CYLINDER	1	TG18D-BF46	DR1
11009A	310301-4113A	GASKET	1	TG18D-BF46	DR1
14002	14002-2198	CRANKCASE	1	TG18D-BF46	DR1
14002A	14002-2272	CRANKCASE	1	TG18D-BF46	DR1
92009	310301-1225A	SCREW	2	TG18D-BF46	DR1
92009A	92009-2115	SCREW	4	TG18D-BF46	DR1
92043	92043-1302	PIN	2	TG18D-BF46	DR1
92045	311501-4211A	BEARING-BALL	1	TG18D-BF46	DR1
92045A	311702-4211-00	BEARING-BALL	1	TG18D-BF46	DR1
92049	92049-2075	SEAL-OIL	2	TG18D-BF46	DR1
551	551A0410	PIN-DOWEL	2	TG18D-BF46	DR1
13001	13001-2108	PISTON	1	TG18D-BF46	DR2
13002	13002-2072	PIN, PISTON	1	TG18D-BF46	DR2
13003	310101-3112A	RING-PISTON TOP	1	TG18D-BF46	DR2
49119	49119-6086	CRANKSHAFT-ASS'Y	AR	TG18D-BF46	DR2
92025	311501-3231-00	SHIM T=0.10	AR	TG18D-BF46	DR2
92025A	311501-3232-00	SHIM T=0.20	AR	TG18D-BF46	DR2
92025B	311501-3233-00	SHIM T=0.40	AR	TG18D-BF46	DR2
92025C	311501-3234-00	SHIM T=0.60	AR	TG18D-BF46	DR2
92033	311501-3122A	RING-SNAP	2	TG18D-BF46	DR2
92046	311509-3242A	BEARING-NEEDLE	1	TG18D-BF46	DR2
14024	14024-2103	COVER (BLUE)	1	TG18D-BF46	DR3
49089	49089-2255	SHROUD (BLUE)	1	TG18D-BF46	DR3
59066	59066-2447-9B	HOUSING-FAN (BLUE)	1	TG18D-BF46	DR3
234	234B0516	SCREW-PAN-WSP	4	TG18D-BF46	DR3
242	242B0412	SCREW-PAN-WSP	3	TG18D-BF46	DR3
21050	21050-2168	FLYWHEEL	1	TG18D-BF46	DR4
21117	21117-2111	IGNITER	1	TG18D-BF46	DR4
21130	3119A0-8418D	CAP-SPARK PLUG	1	TG18D-BF46	DR4
21169	311509-83419B	TERMINAL	1	TG18D-BF46	DR4
21171	21171-2159	COIL-ASS'Y-IGNITION	1	TG18D-BF46	DR4
26011	26011-2113	WIRE-LEAD	1	TG18D-BF46	DR4
92059	310301-8167A	TUBE	1	TG18D-BF46	DR4
92070	92070-2051	PLUG SPARK	1	TG18D-BF46	DR4
180	180B0524	BOLT-UPSET-WS	2	TG18D-BF46	DR4
233	233B0408	SCREW-PAN-WP	1	TG18D-BF46	DR4
311	311B0600	NUT-HEX	1	TG18D-BF46	DR4
410	410B0600	W-PLAIN-S	1	TG18D-BF46	DR4
461	461F0600	WASHER-SPRING	1	TG18D-BF46	DR4
510	510A3100	KEY-WOODRUFF	1	TG18D-BF46	DR4
54012	311910-53432B	CABLE-THROTTLE	1	TG18D-BF46	DR5
11009	11009-2464	GASKET	1	TG18D-BF46	DR6
11009A	11009-2724	GASKET	1	TG18D-BF46	DR6
11009B	11009-2782	GASKET	1	TG18D-BF46	DR6
11009C	310101-6162A	GASKET	1	TG18D-BF46	DR6
11009D	310101-6171A	GASKET	1	TG18D-BF46	DR6
11012	311220-6105-00	CAP, BODY	1	TG18D-BF46	DR6
13168	310101-6107B	LEVER, TICKLER	1	TG18D-BF46	DR6
13169	13169-2449	PLATE	1	TG18D-BF46	DR6
14020	311502-6145-00	RETAINER, VALVE	1	TG18D-BF46	DR6
14024	14024-2097	COVER, PUMP	1	TG18D-BF46	DR6
14025	310101-6169A	COVER	1	TG18D-BF46	DR6
15001	15001-2827	CARBURETOR-ASS'Y	1	TG18D-BF46	DR6
16009	16009-2109	NEEDLE-JET	1	TG18D-BF46	DR6
16021	311528-6114-00	SCREW-THROTTLE STOP	1	TG18D-BF46	DR6
16025	310301-6101B	VALVE-THROTTLE	1	TG18D-BF46	DR6
16030	16030-2074	VALVE-FLOAT	1	TG18D-BF46	DR6
16055	311950-6178A	ARM-FLOAT	1	TG18D-BF46	DR6

NO.	CODE NO.	NAME	QTY	MODEL
16060	16060-2119	PIPE-INTAKE	1	TG18D-BF46 DR6
16073	16073-2101	INSULATOR	1	TG18D-BF46 DR6
16126	311509-6175-00	VALVE, BREATHING	1	TG18D-BF46 DR6
43028	43028-2065	DIAPHRAGM	1	TG18D-BF46 DR6
43028A	43028-2066	DIAPHRAGM, PUMP	1	TG18D-BF46 DR6
49043	49043-2065	PUMP-PRIMING	1	TG18D-BF46 DR6
92009	311501-653B	SCREW	1	TG18D-BF46 DR6
92009A	311509-6156-00	SCREW	4	TG18D-BF46 DR6
92009B	311509-6157-00	SCREW	4	TG18D-BF46 DR6
92009C	31153P-6112A	SCREW, ADJUST	1	TG18D-BF46 DR6
92009D	92009-2211	SCREW 4X7	2	TG18D-BF46 DR6
92009E	92009-2249	SCREW 5X20	2	TG18D-BF46 DR6
92015	310701-6152A	NUT	2	TG18D-BF46 DR6
92027	310101-6144A	COLLAR	2	TG18D-BF46 DR6
92033	311220-6134-00	RING-SNAP	1	TG18D-BF46 DR6
92043	310101-6127A	PIN	1	TG18D-BF46 DR6
92055	310101-6177A	RING-O	1	TG18D-BF46 DR6
92081	310101-6116A	SPRING	1	TG18D-BF46 DR6
92081A	311120-6103-00	SPRING, THROTTLE	1	TG18D-BF46 DR6
92081B	311509-6116-00	SPRING	1	TG18D-BF46 DR6
92081C	31153P-6111A	SPRING, TICKLER	1	TG18D-BF46 DR6
92081D	92081-2339	SPRING	1	TG18D-BF46 DR6
92081E	92081-2340	SPRING	2	TG18D-BF46 DR6
214	241B0408	SCREW-PAN	1	TG18D-BF46 DR6
234	234B0516	SCREW-PAN-WSP	2	TG18D-BF46 DR6
11009	11009-2753	SCREW-PAN-WSP	1	TG18D-BF46 DR7
11010	11010-2263	FILTER-ASS'Y-AIR	1	TG18D-BF46 DR7
11011	11011-2163	CASE-AIR FILTER	1	TG18D-BF46 DR7
11012	11012-2197	CAP, AIR FILTER	1	TG18D-BF46 DR7
11013	310301-1312A	ELEMENT-AIR FILTER	1	TG18D-BF46 DR7
49070	49070-2300-9X	MUFFLER-COMP	1	TG18D-BF46 DR7
49106	49106-2435	COVER, MUFFLER	1	TG18D-BF46 DR7
92004	92004-2120	STUD	2	TG18D-BF46 DR7
233	233B0420	SCREW-PAN-WP	2	TG18D-BF46 DR7
311	311B0500	NUT-HEX	2	TG18D-BF46 DR7
410	410B0500	W-PLAIN-S	1	TG18D-BF46 DR7
13042	13042-2058	WEIGHT	2	TG18D-BF46 DR8
14069	311409-6646B	BREATHING	1	TG18D-BF46 DR8
32033	310370-6816A	PIPE	1	TG18D-BF46 DR8
32052	32052-2179	PIPE	1	TG18D-BF46 DR8
49019	49019-2063	BRACKET-TANK	1	TG18D-BF46 DR8
49019A	49019-2092	GASKET, FUEL	1	TG18D-BF46 DR8
51001	51001-2205	TANK-COMP-FUEL	1	TG18D-BF46 DR8
51048	51048-2066	CAP-ASS'Y-TANK	1	TG18D-BF46 DR8
59071	59071-2066	JOINT	1	TG18D-BF46 DR8
92009	92009-2319	SCREW	3	TG18D-BF46 DR8
92037	310117-6812A	CLAMP	2	TG18D-BF46 DR8
92037A	311501-6814-00	CLAMP	1	TG18D-BF46 DR8
92059	92059-2172	TUBE	1	TG18D-BF46 DR8
92059A	92059-2265	TUBE	1	TG18D-BF46 DR8
92143	92143-2163	COLLAR	3	TG18D-BF46 DR8
13070	232B0408	SCREW-PAN-WSP	2	TG18D-BF46 DR8
232	312599-3442-00	GUIDE	1	TG18D-BF46 DR9
13165	310301-3445A	PAWL	1	TG18D-BF46 DR9
13169	13169-2386	PLATE, RECOIL STARTER	1	TG18D-BF46 DR9
32099	32099-2058	CASE, RECOIL STARTER	1	TG18D-BF46 DR9
46075	310301-3454A	GRIP	1	TG18D-BF46 DR9
49080	49080-2099	PULLEY-STARTING	1	TG18D-BF46 DR9
49088	49088-2211	STARTER-RECOIL	1	TG18D-BF46 DR9

DR 4



DR 10

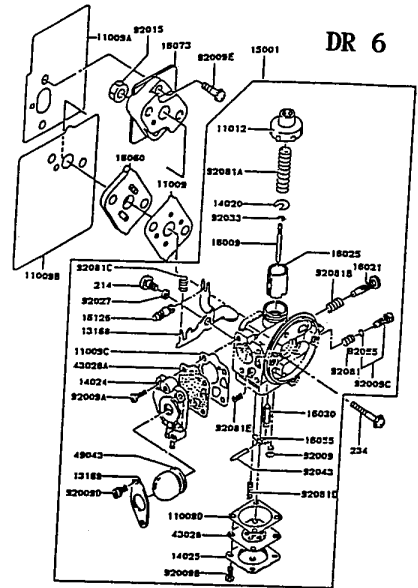


DR 5

DR 11



INFLAMMABLE
LISEZ ATTENTIVEMENT VOTRE MANUEL D'UTILISATION.
REFER TO OPERATOR'S HANDBOOK BEFORE STARTING.
AND DON'T WORK ON ENGINE WHEN IT'S RUNNING.



DR 6

NO.	CODE NO.	NAME	QTY	MODEL	YEN
59101	310301-3441A	REEL	1	TG18D-BF46 DR9	
59106	310301-3453A	ROPE	1	TG18D-BF46 DR9	
92009	92009-2218	SCREW	1	TG18D-BF46 DR9	
92033	310301-3451A	RING-SNAP	1	TG18D-BF46 DR9	
92081	310301-3448A	SPRING	1	TG18D-BF46 DR9	
92081A	310301-3452A	SPRING	1	TG18D-BF46 DR9	
221	221B0616	SCREW-CSK-CROSS	1	TG18D-BF46 DR9	
234	234B0518	SCREW-PAN-WSP	2	TG18D-BF46 DR9	
411	411B0500	WASHER-PLAIN	4	TG18D-BF46 DR9	
13081	13081-2149	CLUTCH-ASS'Y	1	TG18D-BF46 DR10	
49049	49049-2070	SHOE-CLUTCH	2	TG18D-BF46 DR10	
49058	49058-2053	WHEEL, CLUTCH	1	TG18D-BF46 DR10	
92022	92022-2374	WASHER	1	TG18D-BF46 DR10	
92022A	92022-2142	WASHER	1	TG18D-BF46 DR10	
92043	311550-3544B	PIN	2	TG18D-BF46 DR10	
92144	92144-2086	SPRING, CLUTCH	2	TG18D-BF46 DR10	
214	214B0612	SCREW-PAN	1	TG18D-BF46 DR10	
461	461F0600	WASHER-SPRING	1	TG18D-BF46 DR10	
56038	310311-0845A	LABEL-BRAND	1	TG18D-BF46 DR10	
56039	56039-2228	LABEL-PRODUCT	1	TG18D-BF46 DR11	
56040	56040-2235	LABEL-WARNING	1	TG18D-BF46 DR11	
49089	49089-2268	SHROUD-ENGINE (BLUE)	1	TG18D- DR3	
14024	14024-2204	COVER (BLUE)	1	TG18D- DR3	
59066	59066-2395-ZN	HOUSING-FAN (BLUE)	1	TG18D- DR3	

PARTS LIST

2-stroke air-cooled gasoline engine

TG18 DVX