

This catalog covers:
TH043D-□F32

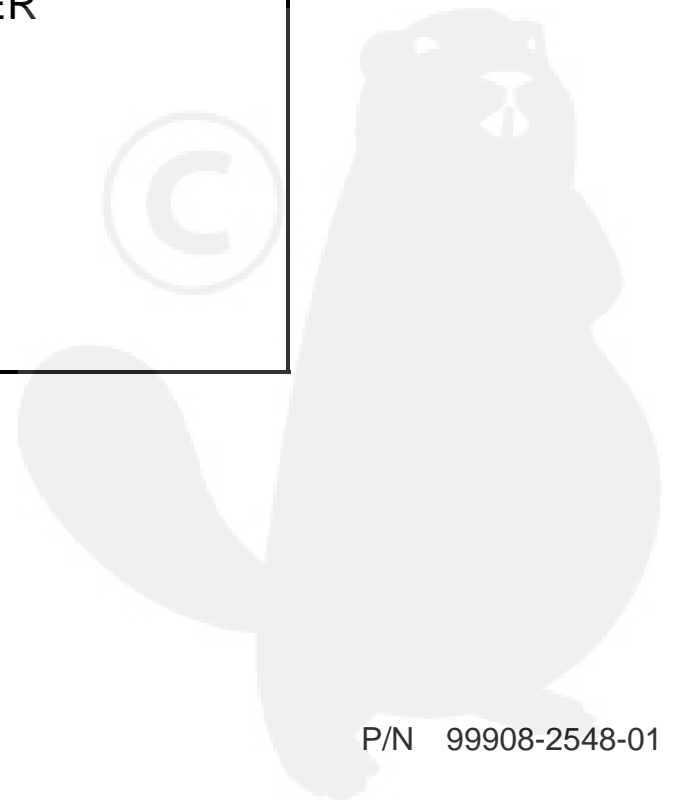
This fig. covers:
TITLE

PARTS CATALOG

2-STROKE ENGINE

TH043D

PRODUCT CODE	NOTE
TH043D-AF32	BRUSH-CUTTER (V26W)



PARTS CATALOG INTRODUCTION

This parts catalog lists parts and sub-assemblies provided as service parts.

When it becomes necessary to replace parts, always use KAWASAKI GENUINE PARTS which have passed strict inspection which guarantees quality and performance.

1. HOW TO ORDER PARTS

- When ordering the parts, be sure to use the parts catalog corresponding to the product code. Check the product revision codes on the product and the catalog.
 Product Code (example) : FA130D-AA00
└──────────────────┘
 Product Revision Code
- Specify the part code (all digits) exactly as listed in this catalog on your parts order.
- The parts not shown in the illustrations of this catalog are not sold separately; only the complete units or next higher assemblies illustrated are supplied as the service parts.

2. EXPLANATION OF PARTS CATALOG FORMAT

This catalog covers: **TH026D-□A10** (1)

This fig. covers: **01 CYLINDER/CRANKCASE** (2) (5) (7)

Ref. No.	Part No.	Description	Quantity
11005	11005-2137	CYLINDER-ENGINE	1
11060	11060-2402	GASKET,CYLINDER	1
11065	11065-2064	CAP	2
14002	14002-2327	CRANKCASE	1
14002A	14002-2328	CRANKCASE	1
34001	34001-2083	STAND	1
92009	92009-2115	SCREW	3
92043	92043-1502	PIN	2
92045	92045-2006	BEARING-BALL,6000C3	2
92049	92049-2074	SEAL-OIL	2
92150	92150-2091	BOLT	4

(6)

1 JUN.03.1999 E0110-A216A

1) Product Code

This code describes the product code covered by this catalog. The product revision code, which is a part of the product code, is omitted.

2) Part Group Title

This title is the representative name for the group of parts illustrated on the page.

3) Reference Number

The reference numbers are shown on the illustration and the list as the link between them.

4) Part Number

This is the key of your parts ordering.

Three kinds of part number are used in this catalog.

- Structure 1
- Structure 2
- Standard Hardware Number
 (for bolts, nuts, washer, or the like)

5) Description and Additional Information

The part name, the location, the size, and the serial number as additional information, etc. are described here. Use them to find out and check the part required.

When a part number is changed without change of the product revision code and the changed parts are not interchangeable, the serial number of the product is noted as follows;

- (- FA130 - 100001) : Affected units are from beginning of the product of the product code up to and including this serial number.
- (FA130 - 100002 -) : Affected units are from this serial number and above.
- (FA130 - 100002 - FA130 - 110001) : Affected units are in this serial number range.

6) Quantity

The figure shows quantity of the part required at the indicated position on the illustration and for the specified product revision code.

The asterisk (*) on this column means the part can be used as the substitute on the product and is supplied until the stock is exhausted.

Note:Some small parts will be supplied by units.

Example: If six (6) bolts are ordered and the minimum quantity per unit is five (5), two (2), units of the bolt will be delivered.

7) Product Revision Code

This Code indicates an important change which affects the service parts interchangeability.

3. ABBREVIATIONS

#.....Number	FR.....Front	RH.....Right Hand
&.....And	G.....Gram	RPM.....Revolutions Per Minute
(+).....Plus	HEX.....Hexagonal	RR.....Rear
(-).....Minus	ID=.....Inside Diameter	STD.....Standard
2ND.....Second	IN.....Inch	T.....Teeth
3RD.....Third	L=.....Length	T=.....Thickness
4TH.....Fourth	LH.....Left Hand	U/S.....Under Size
A.....Ampere	LWR.....Lower	UPP.....Upper
AR.....As Required	MM.....Millimeter	V.....Volt
ASSY.....Assembly	O/S.....Over Size	W.....Watt
CNT.....Center	OD=.....Outside Diameter	
COMP.....Complete	REF.....Reference	

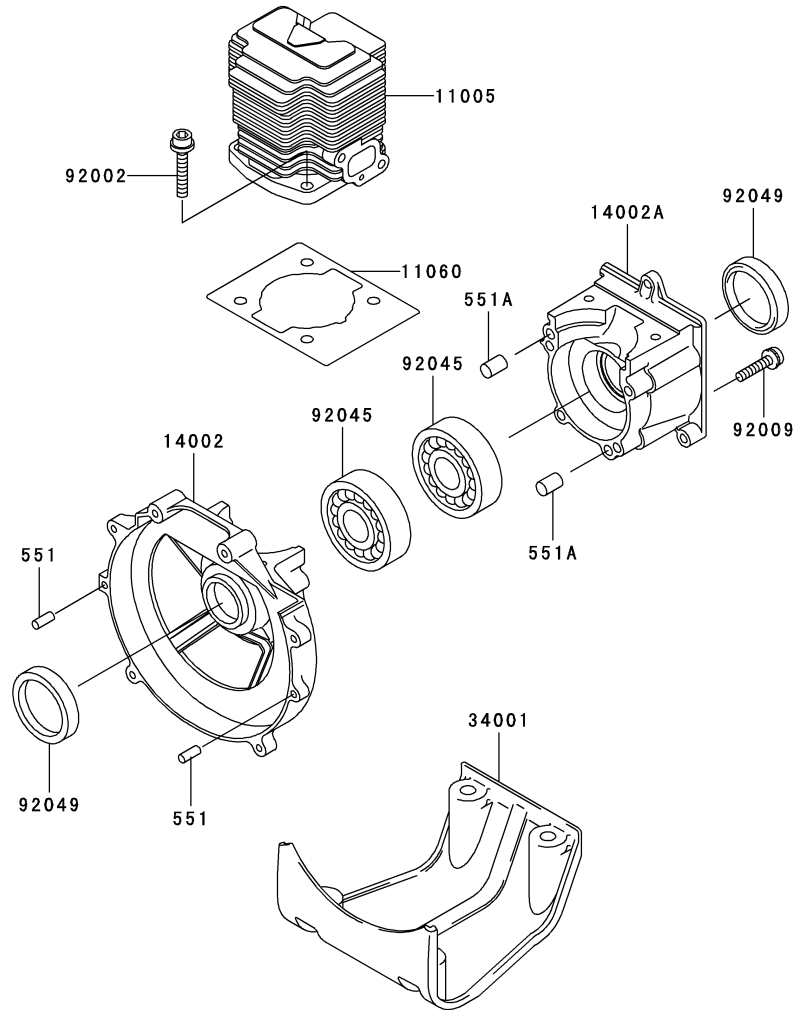
This catalog covers:

TH043D- □ F32

This fig. covers:

01 CYLINDER/CRANKCASE

E0110-A060A



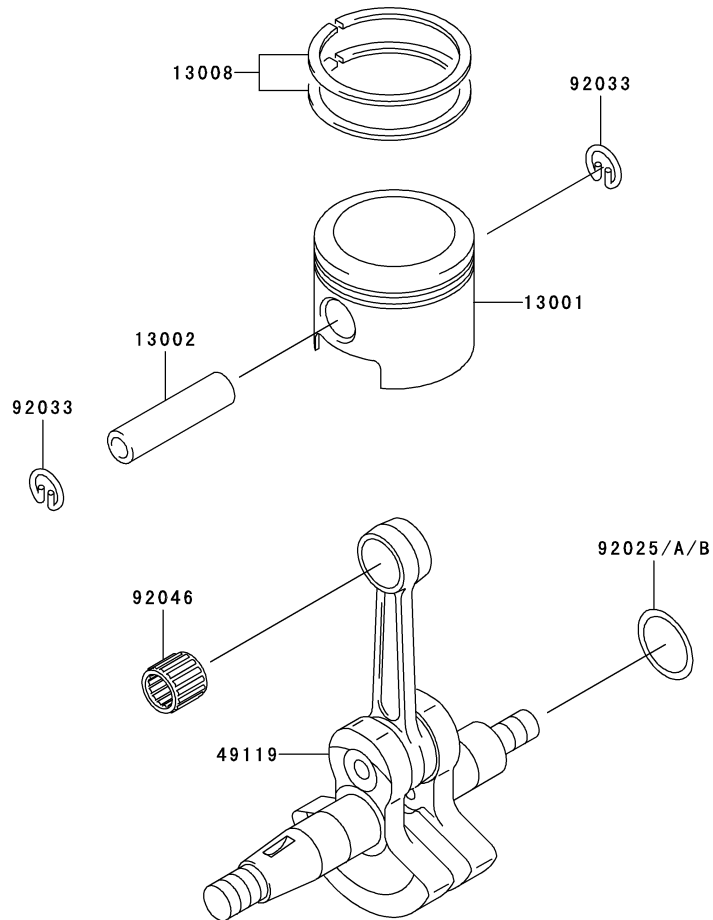
Ref. No.	Part No.	Description	Quantity
11005	11005-2122	CYLINDER-ENGINE	1
11060	11060-2296	GASKET,CYLINDER	1
14002	14002-2316	CRANKCASE	1
14002A	14002-2317	CRANKCASE	1
34001	34001-2082	STAND	1
92002	92002-2150	BOLT	4
92009	92009-2115	SCREW	4
92045	92045-2005	BEARING-BALL,6202C3	2
92049	92049-2206	SEAL-OIL	2
551	551A0410	PIN-DOWEL	2
551A	551A0610	PIN-DOWEL	2



This catalog covers:
TH043D- □ F32

This fig. covers:
02 PISTON/CRANKSHAFT

E0120-A054A



Ref. No.	Part No.	Description	Quantity
13001	13001-2140	PISTON-ENGINE	1
13002	13002-2065	PIN-PISTON	1
13008	13008-6052	RING-SET-PISTON	1
49119	49119-2173	CRANKSHAFT-ASSY	1
92025	92025-2135	SHIM,T=0.20	AR
92025A	92025-2136	SHIM,T=0.40	AR
92025B	92025-2137	SHIM,T=0.60	AR
92033	92033-2058	RING-SNAP	2
92046	13033-2005	BEARING-NEEDLE	1



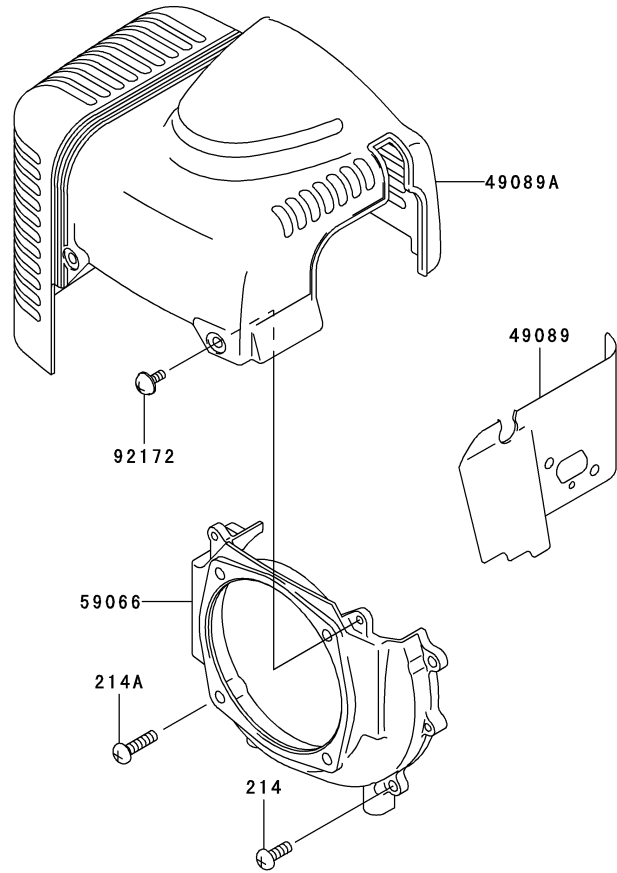
This catalog covers:

TH043D- □ F32

This fig. covers:

03 COOLING-EQUIPMENT

E0150-A334E



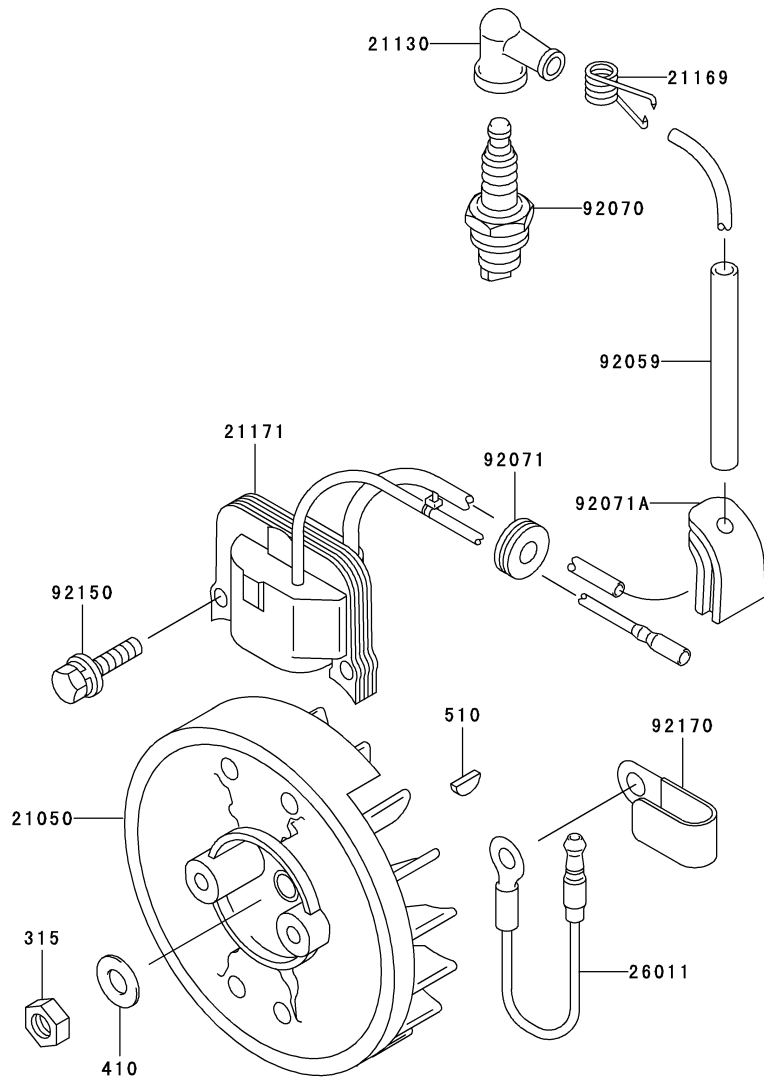
Ref. No.	Part No.	Description	Quantity
49089	49089-2386	SHROUD-ENGINE	1
49089A	49089-2553	SHROUD-ENGINE	1
59066	59066-2747	HOUSING-FAN	1
92172	92172-2060	SCREW,4X10	2
214	214B0514	SCREW-PAN+-	3
214A	214B0520	SCREW-PAN+-	1



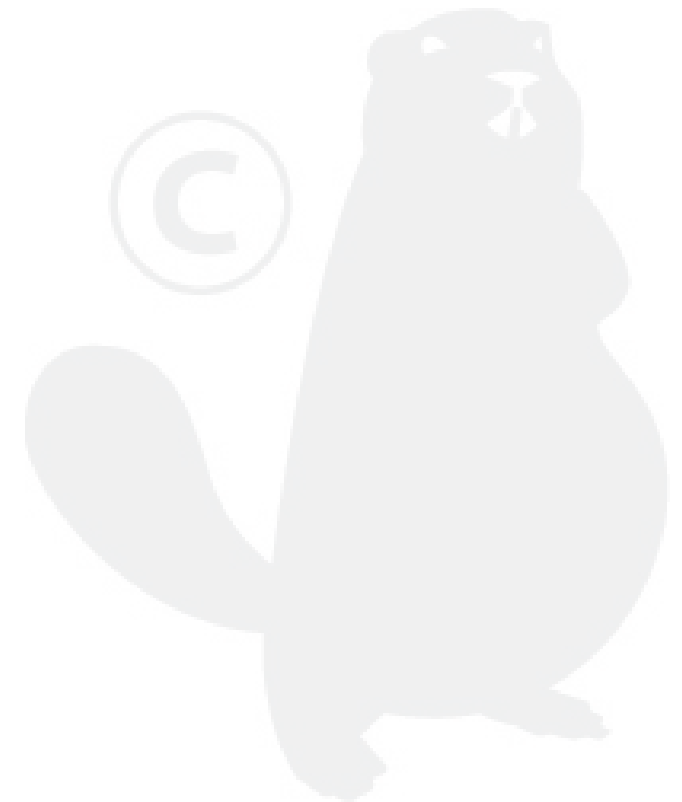
This catalog covers:
TH043D- □ F32

This fig. covers:
04 ELECTRIC-EQUIPMENT

E0160-A083A



Ref. No.	Part No.	Description	Quantity
21050	21050-2240	FLYWHEEL	1
21130	21130-2056	CAP-SPARK PLUG	1
21169	21169-2051	TERMINAL	1
21171	21171-2195	COIL-ASSY-IGNITION	1
26011	26011-2113	WIRE-LEAD	1
92059	92059-2103	TUBE,6X7.4X108	1
92070	92070-2060	PLUG-SPARK,BMR6A(NGK),SOLID	1
92071	92071-2097	GROMMET	1
92071A	92071-2143	GROMMET,IGNITION COIL	1
92150	92150-2182	BOLT,5X18	2
92170	92170-2041	CLAMP	1
315	315B1000	NUT-HEX-FINE	1
410	410B1000	W-PLAIN-S	1
510	510A3100	KEY-WOODRUFF	1

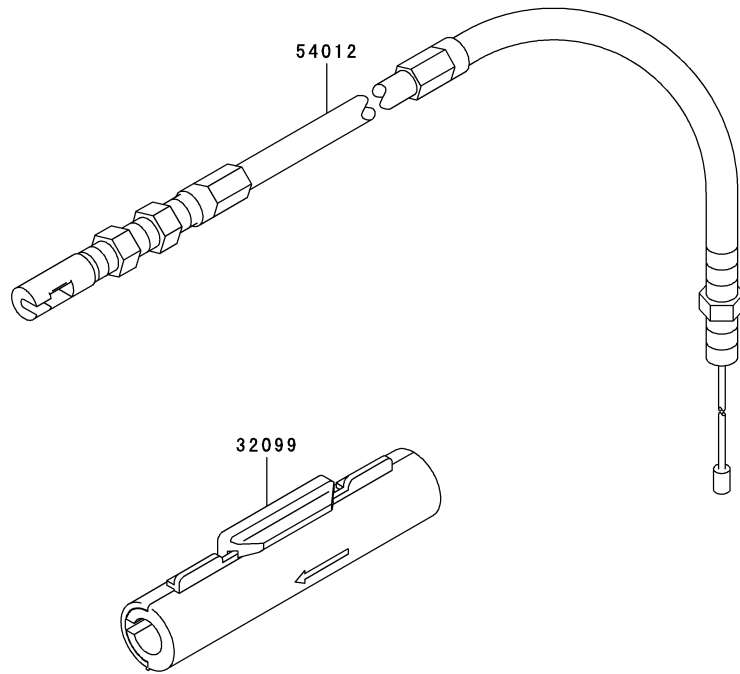


This catalog covers:
TH043D- □ F32

This fig. covers:
05 CONTROL-EQUIPMENT

E0170-A228A

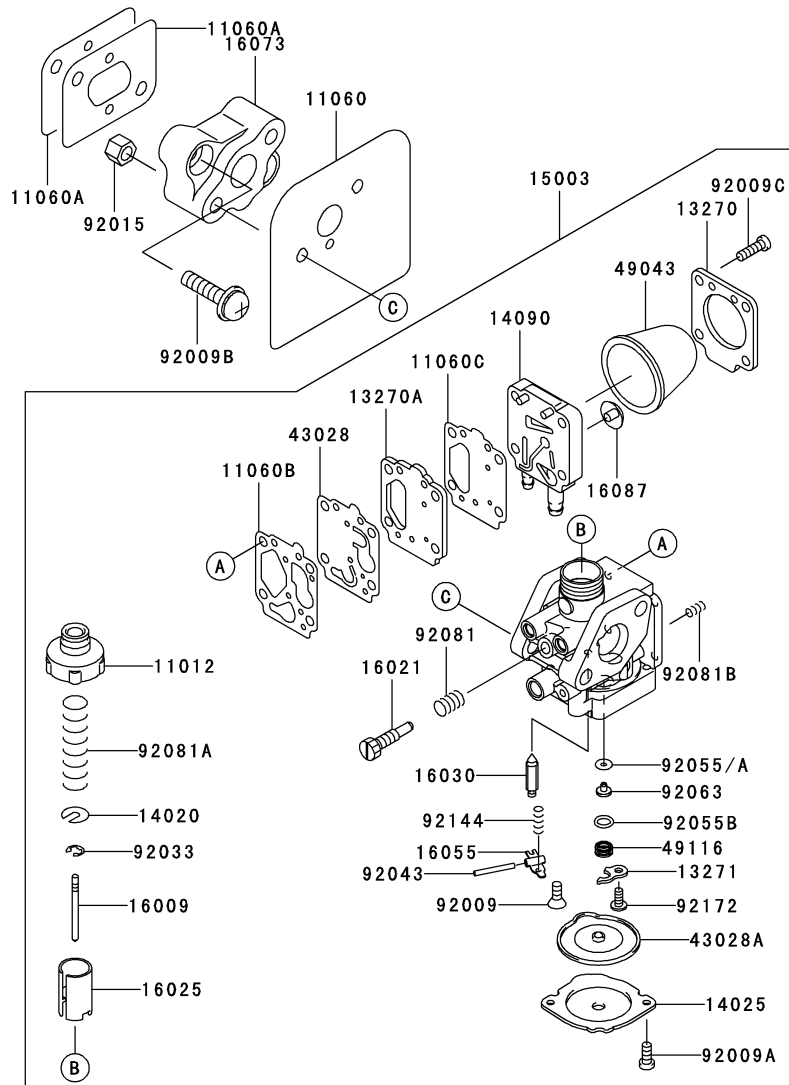
Ref. No.	Part No.	Description	Quantity
32099	32099-2326	CASE	1
54012	54012-2342	CABLE-THROTTLE	1



This catalog covers:
TH043D- □ F32

This fig. covers:
06 CARBURETOR

E0180-A604C



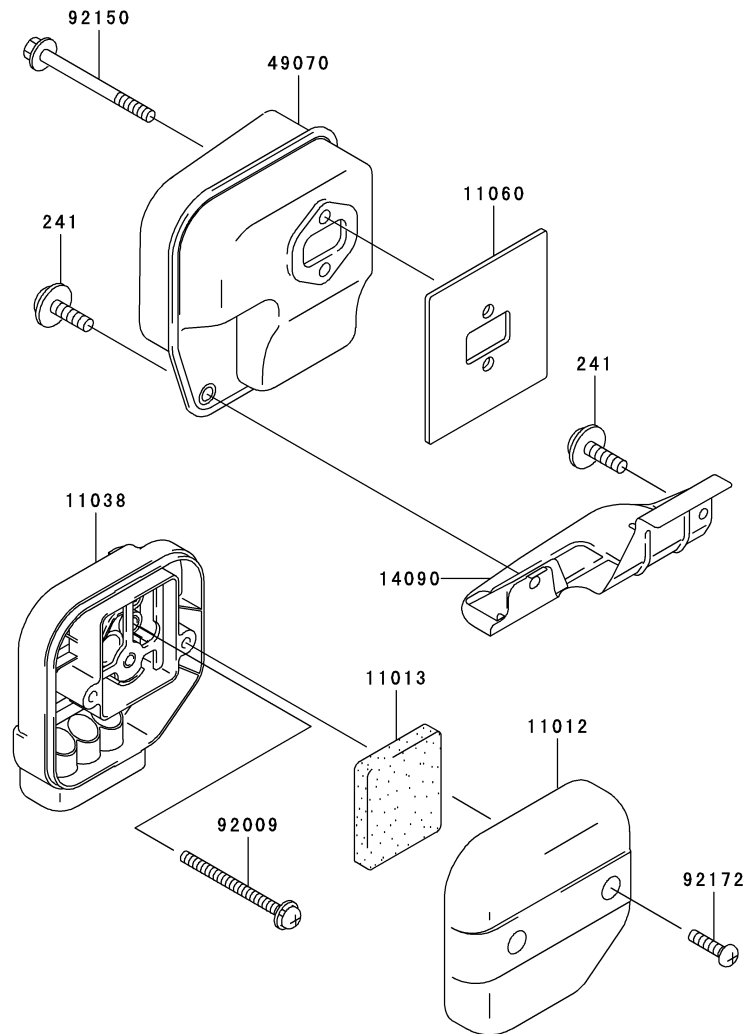
Ref. No.	Part No.	Description	Quantity
11012	11012-2185	CAP,BODY	1
11060	11060-2298	GASKET,CARBURETOR	1
11060A	11060-2299	GASKET,INSULATOR	2
11060B	11060-2305	GASKET	1
11060C	11060-2306	GASKET	1
13270	13270-2014	PLATE	1
13270A	13270-2015	PLATE	1
13271	13271-2247	PLATE	1
14020	14020-2009	RETAINER,VALVE	1
14025	14025-2027	COVER	1
14090	14090-2060	COVER	1
15003	15003-2935	CARBURETOR-ASSY	1
16009	16009-2114	NEEDLE-JET,#114	1
16021	16021-2008	SCREW-THROTTLE STOP	1
16025	16025-2173	VALVE-THROTTLE	1
16030	16030-2087	VALVE-FLOAT	1
16055	13168-2118	ARM-FLOAT	1
16073	16073-2176	INSULATOR	1
16087	16087-2059	VALVE-CHECK	1
43028	43028-2082	DIAPHRAGM	1
43028A	43028-2093	DIAPHRAGM	1
49043	49043-2071	PUMP-PRIMING	1
49116	49116-2066	VALVE-ASSY	1
92009	92009-2053	SCREW	1
92009A	92009-2061	SCREW	2
92009B	92009-2249	SCREW,5X20	2
92009C	92009-2361	SCREW,3X14	4
92015	92015-2097	NUT,M5	2
92033	92033-2070	RING-SNAP	1
92043	92043-2099	PIN	1
92055	92055-2077	RING-O	1
92055A	92055-2206	RING-O	*
92055B	92055-2207	RING-O	1
92063	92063-2444	JET-MAIN,#58	1
92081	92081-2245	SPRING	1
92081A	92081-2246	SPRING,THROTTLE	1
92081B	92081-2340	SPRING	1
92144	92144-2009	SPRING	1
92172	92172-2086	SCREW	1

This catalog covers:
TH043D- □ F32

07

This fig. covers:
AIR-FILTER/MUFFLER

E0190-A766A



Ref. No.	Part No.	Description	Quantity
11012	11012-2349	CAP,AIR FILTER	1
11013	11013-2081	ELEMENT-AIR FILTER	1
11038	11038-2055	CASE-ASSY-AIR FILTER	1
11060	11060-2297	GASKET,MUFFLER	1
14090	14090-2059	COVER,MUFFLER	1
49070	49070-2630	MUFFLER-COMP	1
92009	92009-2449	SCREW,5X55	2
92150	92150-2180	BOLT,6X65	2
92172	92172-2062	SCREW	2
241	241B0512	SCREW-PAN-WP+	2



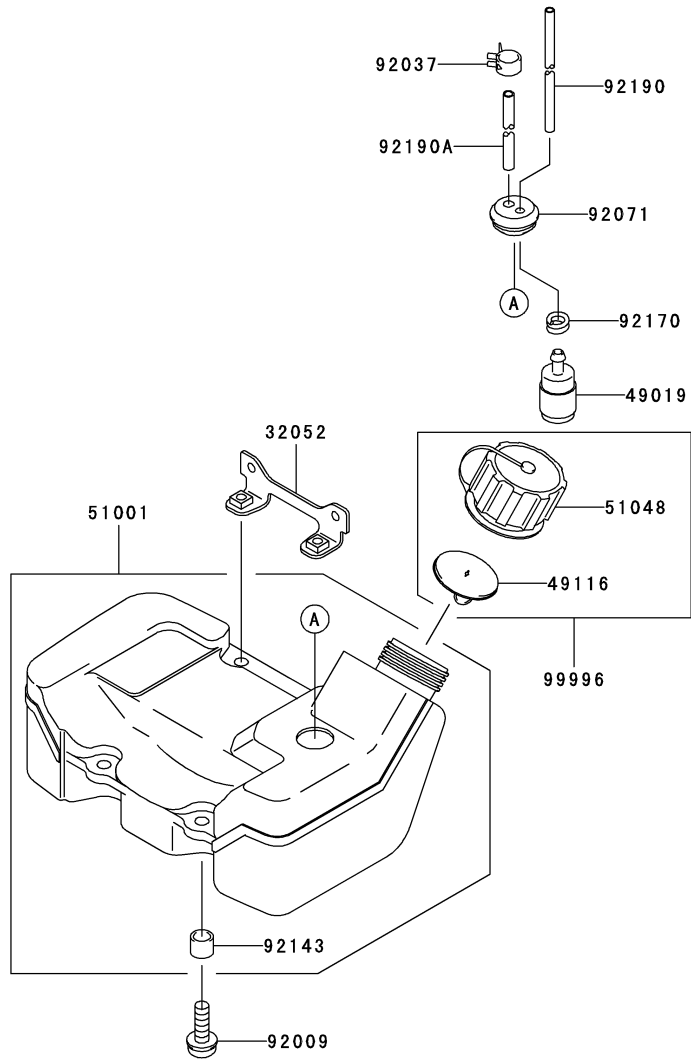
This catalog covers:

TH043D- □ F32

This fig. covers:

08 FUEL-TANK/FUEL-VALVE

E0200-A146F



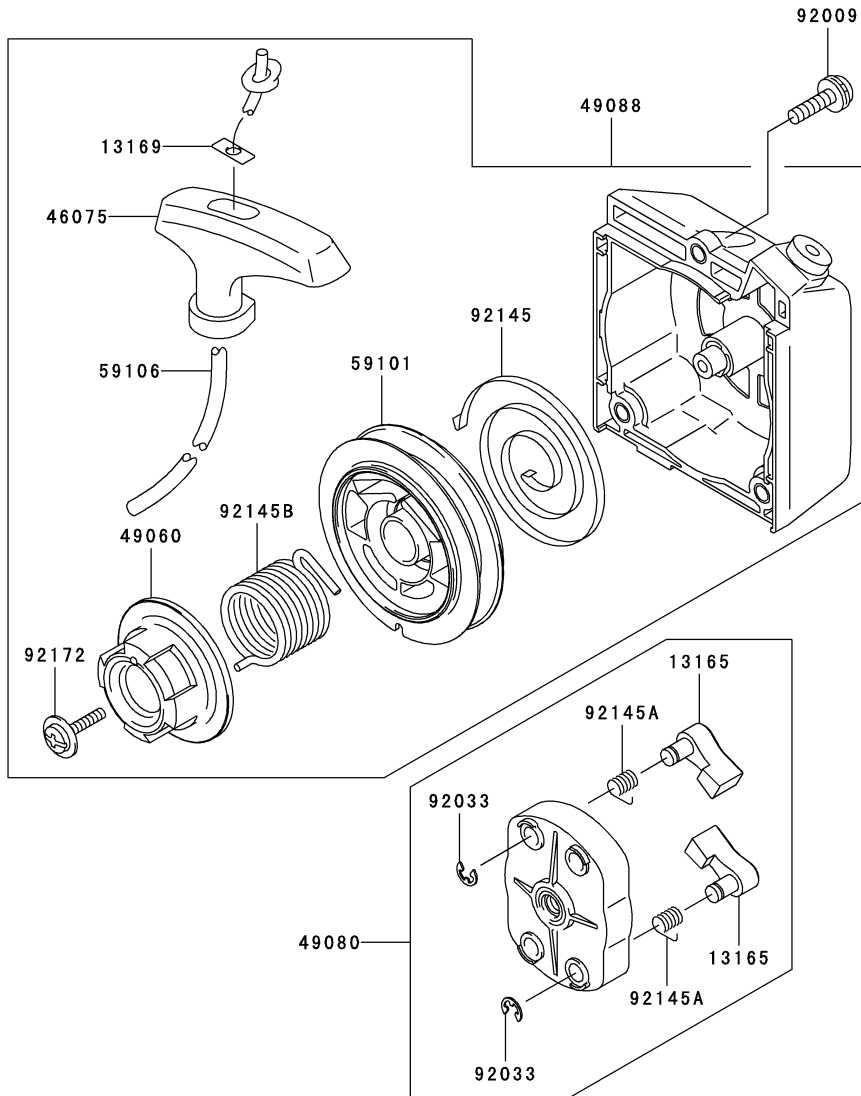
Ref. No.	Part No.	Description	Quantity
32052	32052-2215	BRACKET-TANK	1
49019	49019-2111	FILTER-FUEL	1
49116	49116-2064	VALVE-ASSY	1
51001	51001-2268	TANK-COMP-FUEL	1
51048	51048-2078	CAP-ASSY-TANK	1
92009	92009-2383	SCREW,5X20	4
92037	92037-2139	CLAMP	1
92071	92071-2142	GROMMET,FUEL TANK	1
92143	92143-2162	COLLAR	4
92170	92170-2080	CLAMP,FUEL FILTER	1
92190	92190-2157	TUBE,3X5X200	1
92190A	92190-2161	TUBE,3X6X100	1
99996	99996-6060	KIT,CAP-ASSY-TANK	1



This catalog covers:
TH043D- □ F32

09 This fig. covers:
STARTER

E0210-A350A



Ref. No.	Part No.	Description	Quantity
13165	13165-2103	PAWL	2
13169	13169-2386	PLATE,RECOIL STARTER	1
46075	46075-2067	GRIP,RECOIL STARTER	1
49060	49060-2063	CAM,STARTER-RECOIL	1
49080	49080-2200	PULLEY-STARTING	1
49088	49088-2544	STARTER-RECOIL	1
59101	59101-2120	REEL,STARTER-RECOIL	1
59106	59106-2064	ROPE,3.8X950	1
92009	92009-2249	SCREW,5X20	3
92033	92033-2010	RING-SNAP	2
92145	92145-2112	SPRING,SPIRAL	1
92145A	92145-2148	SPRING	2
92145B	92145-2150	SPRING	1
92172	92172-2052	SCREW	1

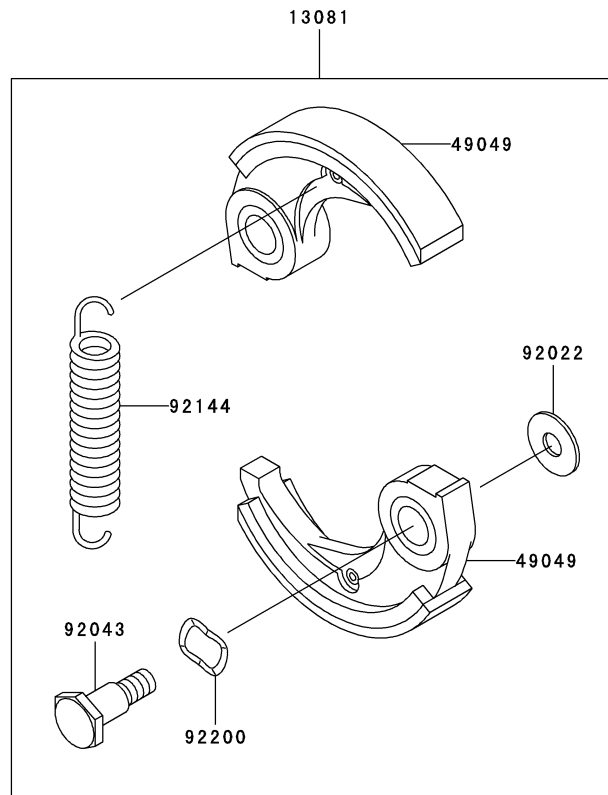


This catalog covers:
TH043D- □ F32

10

This fig. covers:
P.T.O-EQUIPMENT

E0220-A008A



Ref. No.	Part No.	Description	Quantity
13081	13081-2220	CLUTCH-ASSY	1
49049	49049-2075	SHOE-CLUTCH	2
92022	92026-2125	WASHER	2
92043	92043-2210	PIN,CLUTCH	2
92144	92144-2390	SPRING	1
92200	92200-2064	WASHER,SPRING,10.5X14.5X0.3	2



This catalog covers:
TH043D- □ F32

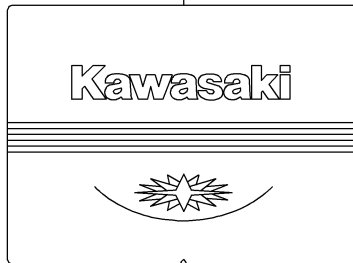
11

This fig. covers:
LABEL

F0290-A296A

Ref. No.	Part No.	Description	Quantity
56038	56038-2894	LABEL-BRAND	1
56039	56039-2700	LABEL-PRODUCT	1
56070	56070-2020	LABEL-WARNING	1

56038



56039



56070



This catalog covers:

TH043D- □ F32

This fig. covers:

PART NAME INDEX

AIR-FILTER/MUFFLER.....	07
CARBURETOR.....	06
CONTROL-EQUIPMENT.....	05
COOLING-EQUIPMENT.....	03
CYLINDER/CRANKCASE.....	01
ELECTRIC-EQUIPMENT.....	04
FUEL-TANK/FUEL-VALVE.....	08
LABEL.....	11
P.T.O-EQUIPMENT.....	10
PISTON/CRANKSHAFT.....	02
STARTER.....	09



This catalog covers:

TH043D- F32

This fig. covers:

NUMERICAL PARTS INDEX

Part No.	Fig No.	Part No.	Fig No.	Part No.	Fig No.	Part No.	Fig No.	Part No.	Fig No.
11005-2122	01	49116-2064	08	92172-2060	03				
11012-2185	06	49116-2066	06	92172-2062	07				
11012-2349	07	49119-2173	02	92172-2086	06				
11013-2081	07	51001-2268	08	92190-2157	08				
11038-2055	07	51048-2078	08	92190-2161	08				
11060-2296	01	510A3100	04	92200-2064	10				
11060-2297	07	54012-2342	05	99996-6060	08				
11060-2298	06	551A0410	01						
11060-2299	06	551A0610	01						
11060-2305	06	56038-2894	11						
		56039-2700	11						
11060-2306	06	56070-2020	11						
13001-2140	02	59066-2747	03						
13002-2065	02	59101-2120	09						
13008-6052	02	59106-2064	09						
13033-2005	02	92002-2150	01						
13081-2220	10	92009-2053	06						
13165-2103	09	92009-2061	06						
13168-2118	06	92009-2115	01						
13169-2386	09	92009-2249	06						
13270-2014	06								
		92009-2249	09						
13270-2015	06	92009-2361	06						
13271-2247	06	92009-2383	08						
14002-2316	01	92009-2449	07						
14002-2317	01	92015-2097	06						
14020-2009	06	92025-2135	02						
14025-2027	06	92025-2136	02						
14090-2059	07	92025-2137	02						
14090-2060	06	92026-2125	10						
15003-2935	06	92033-2010	09						
16009-2114	06								
		92033-2058	02						
16021-2008	06	92033-2070	06						
16025-2173	06	92037-2139	08						
16030-2087	06	92043-2099	06						
16073-2176	06	92043-2210	10						
16087-2059	06	92045-2005	01						
21050-2240	04	92049-2206	01						
21130-2056	04	92055-2077	06						
21169-2051	04	92055-2206	06						
21171-2195	04	92055-2207	06						
214B0514	03								
		92059-2103	04						
214B0520	03	92063-2444	06						
241B0512	07	92070-2060	04						
26011-2113	04	92071-2097	04						
315B1000	04	92071-2142	08						
32052-2215	08	92071-2143	04						
32099-2326	05	92081-2245	06						
34001-2082	01	92081-2246	06						
410B1000	04	92081-2340	06						
43028-2082	06	92143-2162	08						
43028-2093	06								
		92144-2009	06						
46075-2067	09	92144-2390	10						
49019-2111	08	92145-2112	09						
49043-2071	06	92145-2148	09						
49049-2075	10	92145-2150	09						
49060-2063	09	92150-2180	07						
49070-2630	07	92150-2182	04						
49080-2200	09	92170-2041	04						
49088-2544	09	92170-2080	08						
49089-2386	03	92172-2052	09						
49089-2553	03								

