

This catalog covers:  
**TH048D-□F30**

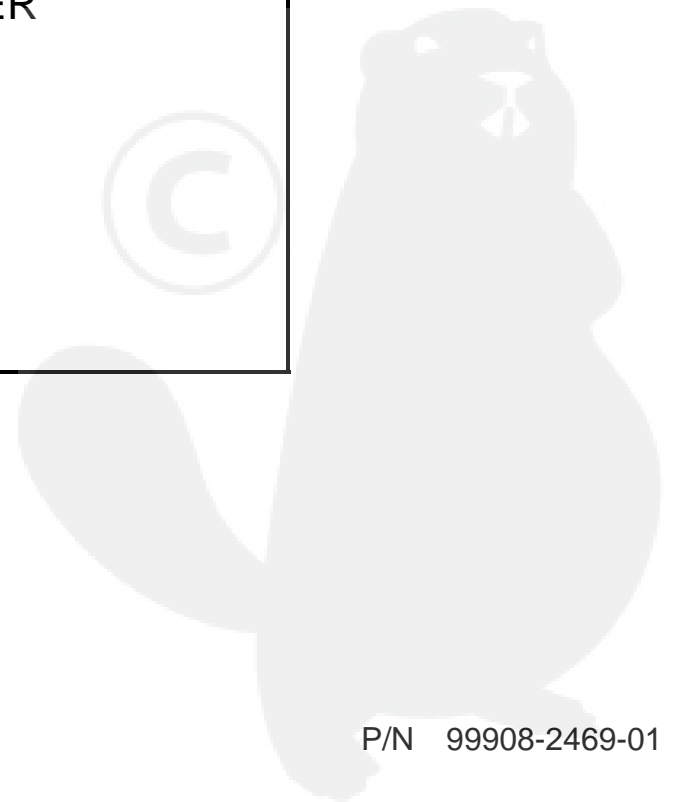
This fig. covers:  
**TITLE**

# PARTS CATALOG

2-STROKE ENGINE

TH048D

PRODUCT CODE	NOTE
TH048D-CF30	BRUSH-CUTTER



This catalog covers:  
**TH048D-□F30**

# PARTS CATALOG INTRODUCTION

This parts catalog lists parts and sub-assemblies provided as service parts.

When it becomes necessary to replace parts, always use KAWASAKI GENUINE PARTS which have passed strict inspection which guarantees quality and performance.

## 1. HOW TO ORDER PARTS

- When ordering the parts, be sure to use the parts catalog corresponding to the product code. Check the product revision codes on the product and the catalog.  
 Product Code (example) : FA130D-AA00  
└──────────────────┘  
 Product Revision Code
- Specify the part code (all digits) exactly as listed in this catalog on your parts order.
- The parts not shown in the illustrations of this catalog are not sold separately; only the complete units or next higher assemblies illustrated are supplied as the service parts.

## 2. EXPLANATION OF PARTS CATALOG FORMAT

This catalog covers: **TH026D-□A10** (1)

This fig. covers: **01 CYLINDER/CRANKCASE** (2) (5) (7)

Ref. No.	Part No.	Description	Quantity
11005	11005-2137	CYLINDER-ENGINE	1
11060	11060-2402	GASKET,CYLINDER	1
11065	11065-2064	CAP	2
14002	14002-2327	CRANKCASE	1
14002A	14002-2328	CRANKCASE	1
34001	34001-2083	STAND	1
92009	92009-2115	SCREW	3
92043	92043-1502	PIN	2
92045	92045-2006	BEARING-BALL,6000C3	2
92049	92049-2074	SEAL-OIL	2
92150	92150-2091	BOLT	4

1 2 3 4 5 6 7

E0110-A216A

1 JUN.03.1999 E0110-A216A

### 1) Product Code

This code describes the product code covered by this catalog. The product revision code, which is a part of the product code, is omitted.

### 2) Part Group Title

This title is the representative name for the group of parts illustrated on the page.

### 3) Reference Number

The reference numbers are shown on the illustration and the list as the link between them.

This fig. covers:  
**PARTS LIST INFORMATION**

## 4) Part Number

This is the key of your parts ordering.

Three kinds of part number are used in this catalog.

- Structure 1  
 □□□□□□-□□□□-□□  
 □□□□□□-□□□□□□  
└──────────────────┘  
 Part Revision Code
- Structure 2  
 □□□□□□-□□□□□□-□□  
└──────────────────┘  
 Color Code for Painted Part
- Standard Hardware Number  
 (for bolts, nuts, washer, or the like)  
 □□□□□□□□  
└──────────┘ Size Code  
└──────────┘ Material and Surface Treatment Code  
└──────────┘ Item Code

## 5) Description and Additional Information

The part name, the location, the size, and the serial number as additional information, etc. are described here. Use them to find out and check the part required.

When a part number is changed without change of the product revision code and the changed parts are not interchangeable, the serial number of the product is noted as follows;

- (                    - FA130 - 100001 ) : Affected units are from beginning of the product of the product code up to and including this serial number.
- ( FA130 - 100002   -                    ) : Affected units are from this serial number and above.
- ( FA130 - 100002   - FA130 - 110001 ) : Affected units are in this serial number range.

## 6) Quantity

The figure shows quantity of the part required at the indicated position on the illustration and for the specified product revision code.

The asterisk (\*) on this column means the part can be used as the substitute on the product and is supplied until the stock is exhausted.

Note:Some small parts will be supplied by units.

Example: If six (6) bolts are ordered and the minimum quantity per unit is five (5), two (2), units of the bolt will be delivered.

## 7) Product Revision Code

This Code indicates an important change which affects the service parts interchangeability.

## 3. ABBREVIATIONS

#.....Number	FR.....Front	RH.....Right Hand
&.....And	G.....Gram	RPM.....Revolutions Per Minute
(+).....Plus	HEX.....Hexagonal	RR.....Rear
(-).....Minus	ID=.....Inside Diameter	STD.....Standard
2ND.....Second	IN.....Inch	T.....Teeth
3RD.....Third	L=.....Length	T=.....Thickness
4TH.....Fourth	LH.....Left Hand	U/S.....Under Size
A.....Ampere	LWR.....Lower	UPP.....Upper
AR.....As Required	MM.....Millimeter	V.....Volt
ASSY.....Assembly	O/S.....Over Size	W.....Watt
CNT.....Center	OD=.....Outside Diameter	
COMP.....Complete	REF.....Reference	

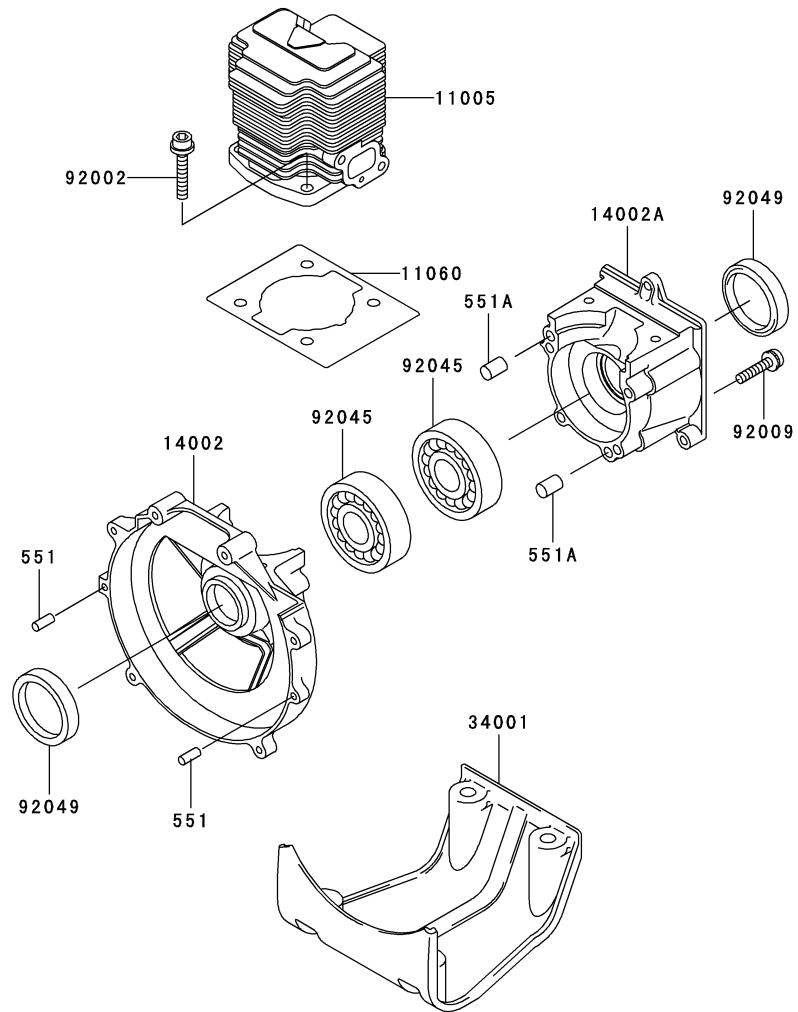
This catalog covers:

TH048D- □ F30

This fig. covers:

**01 CYLINDER/CRANKCASE**

E0110-A060A



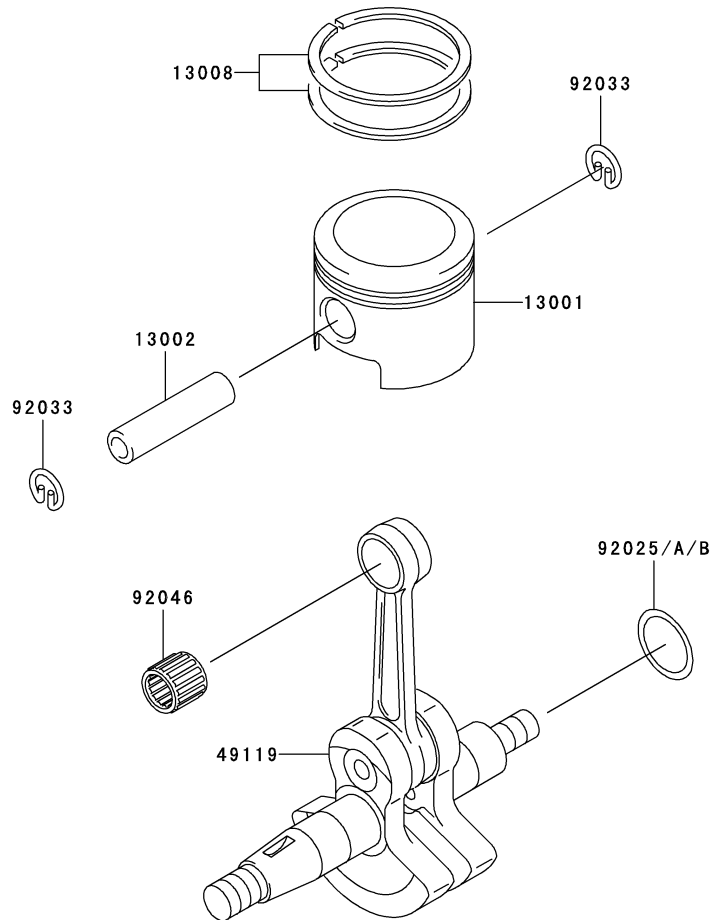
Ref. No.	Part No.	Description	Quantity
11005	11005-2123	CYLINDER-ENGINE	1
11060	11060-2296	GASKET,CYLINDER	1
14002	14002-2316	CRANKCASE	1
14002A	14002-2317	CRANKCASE	1
34001	34001-2082	STAND	1
92002	92002-2150	BOLT	4
92009	92009-2115	SCREW	4
92045	92045-2005	BEARING-BALL,6202C3	2
92049	92049-2206	SEAL-OIL	2
551	551A0410	PIN-DOWEL	2
551A	551A0610	PIN-DOWEL	2



This catalog covers:  
**TH048D- □ F30**

This fig. covers:  
**02 PISTON/CRANKSHAFT**

E0120-A054A



Ref. No.	Part No.	Description	C	Quantity
13001	13001-2141	PISTON-ENGINE		1
13002	13002-2067	PIN-PISTON		1
13008	13008-6044	RING-SET-PISTON		1
49119	49119-2173	CRANKSHAFT-ASSY		1
92025	92025-2135	SHIM,T=0.20		AR
92025A	92025-2136	SHIM,T=0.40		AR
92025B	92025-2137	SHIM,T=0.60		AR
92033	92033-2058	RING-SNAP		2
92046	13033-2005	BEARING-NEEDLE		1



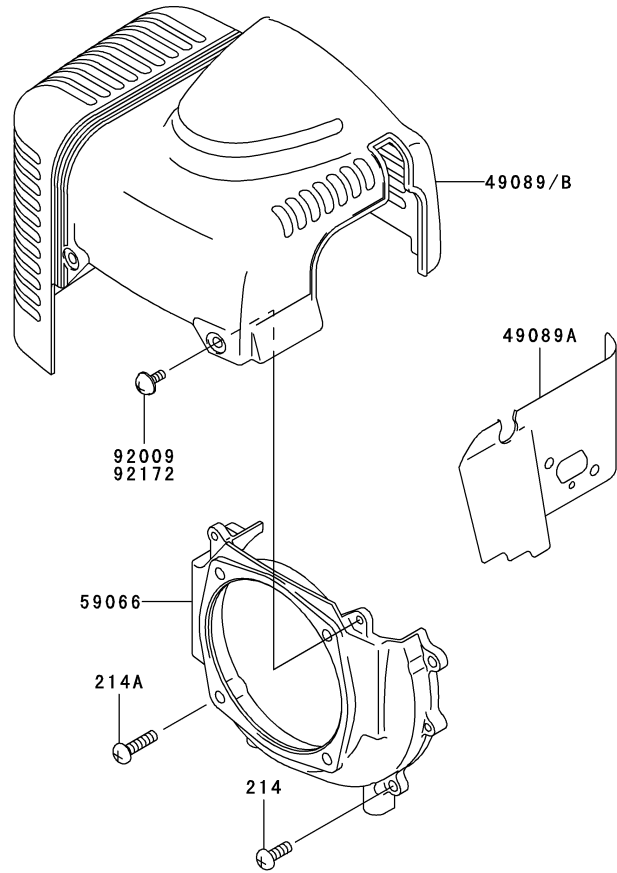
This catalog covers:

**TH048D- □ F30**

This fig. covers:

**03 COOLING-EQUIPMENT**

E0150-A334F



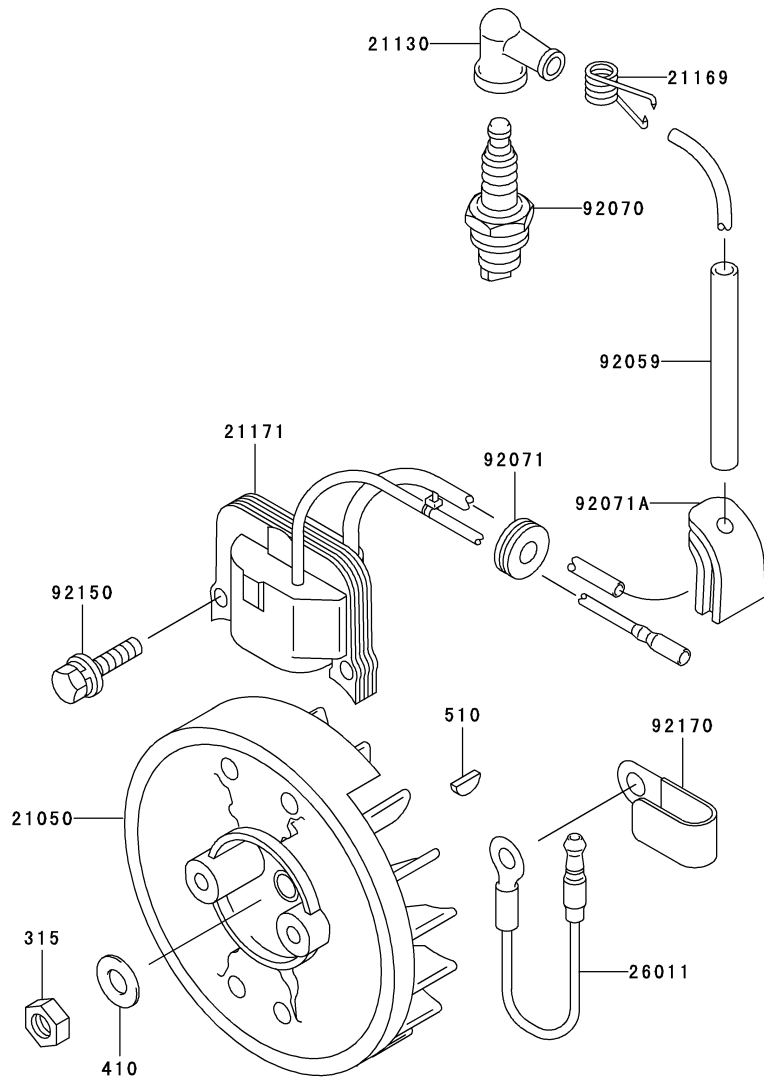
Ref. No.	Part No.	Description	C	Quantity
49089	49089-2385	SHROUD-ENGINE		*
	(		TH048-123604)	
49089A	49089-2386	SHROUD-ENGINE		1
49089B	49089-2553	SHROUD-ENGINE		1
	(	TH048-123605 -	)	
59066	59066-2747	HOUSING-FAN		1
92009	92009-2234	SCREW,4X10		*
92172	92172-2060	SCREW,4X10		2
214	214B0514	SCREW-PAN+-		3
214A	214B0520	SCREW-PAN+-		1



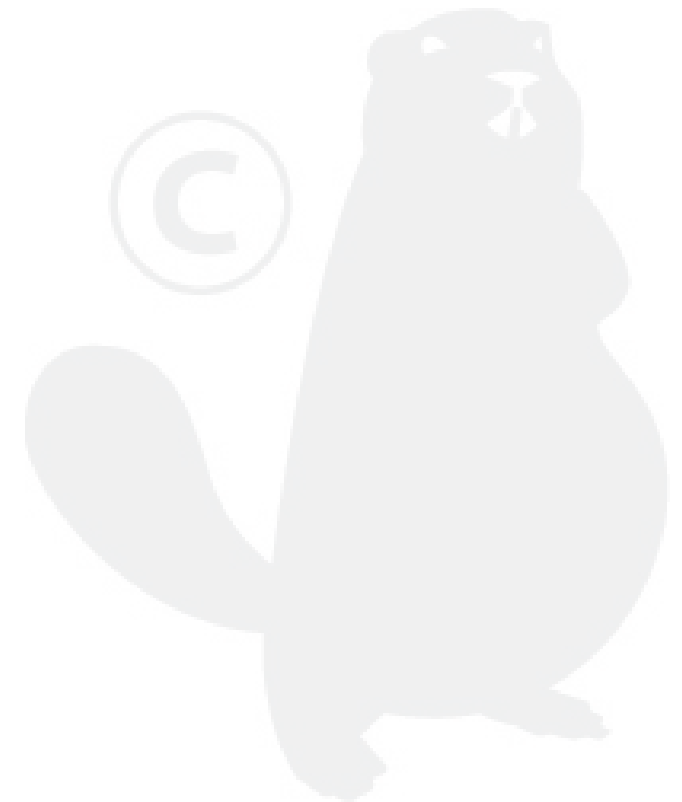
This catalog covers:  
**TH048D- □ F30**

This fig. covers:  
**04 ELECTRIC-EQUIPMENT**

E0160-A083A



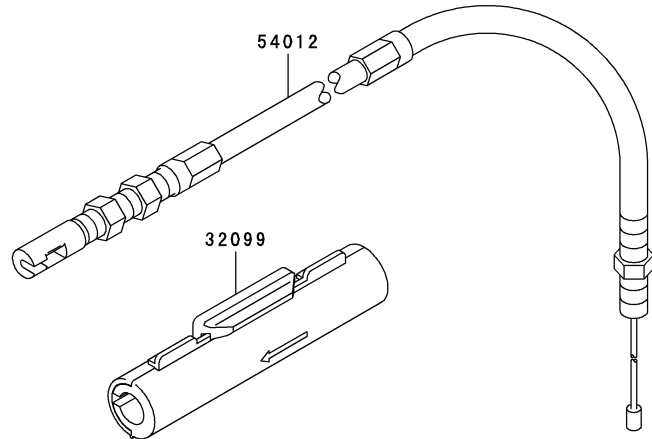
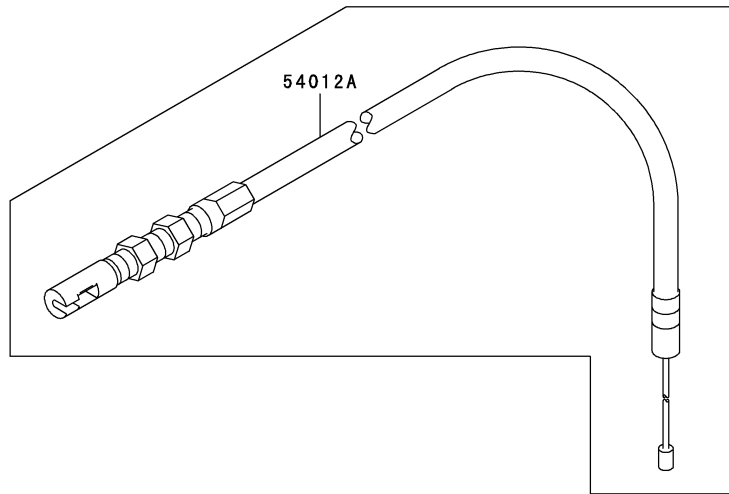
Ref. No.	Part No.	Description	Quantity
21050	21050-2240	FLYWHEEL	1
21130	21130-2056	CAP-SPARK PLUG	1
21169	21169-2051	TERMINAL	1
21171	21171-2195	COIL-ASSY-IGNITION	1
26011	26011-2113	WIRE-LEAD	1
92059	92059-2103	TUBE,6X7.4X108	1
92070	92070-2060	PLUG-SPARK,BMR6A(NGK),SOLID	1
92071	92071-2097	GROMMET	1
92071A	92071-2143	GROMMET,IGNITION COIL	1
92150	92150-2182	BOLT,5X18	2
92170	92170-2041	CLAMP	1
315	315B1000	NUT-HEX-FINE	1
410	410B1000	W-PLAIN-S	1
510	510A3100	KEY-WOODRUFF	1



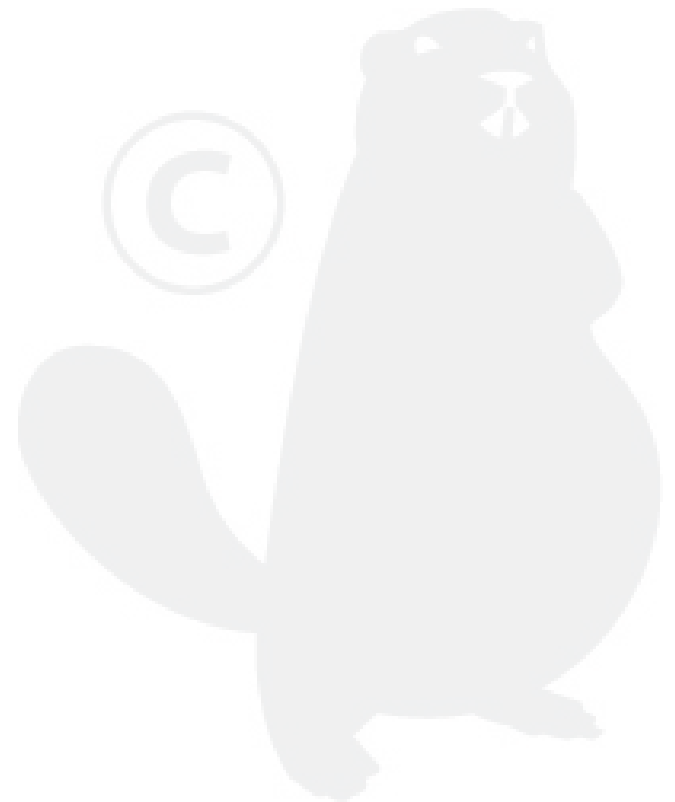
This catalog covers:  
**TH048D- □ F30**

This fig. covers:  
**05 CONTROL-EQUIPMENT**

E0170-A504A



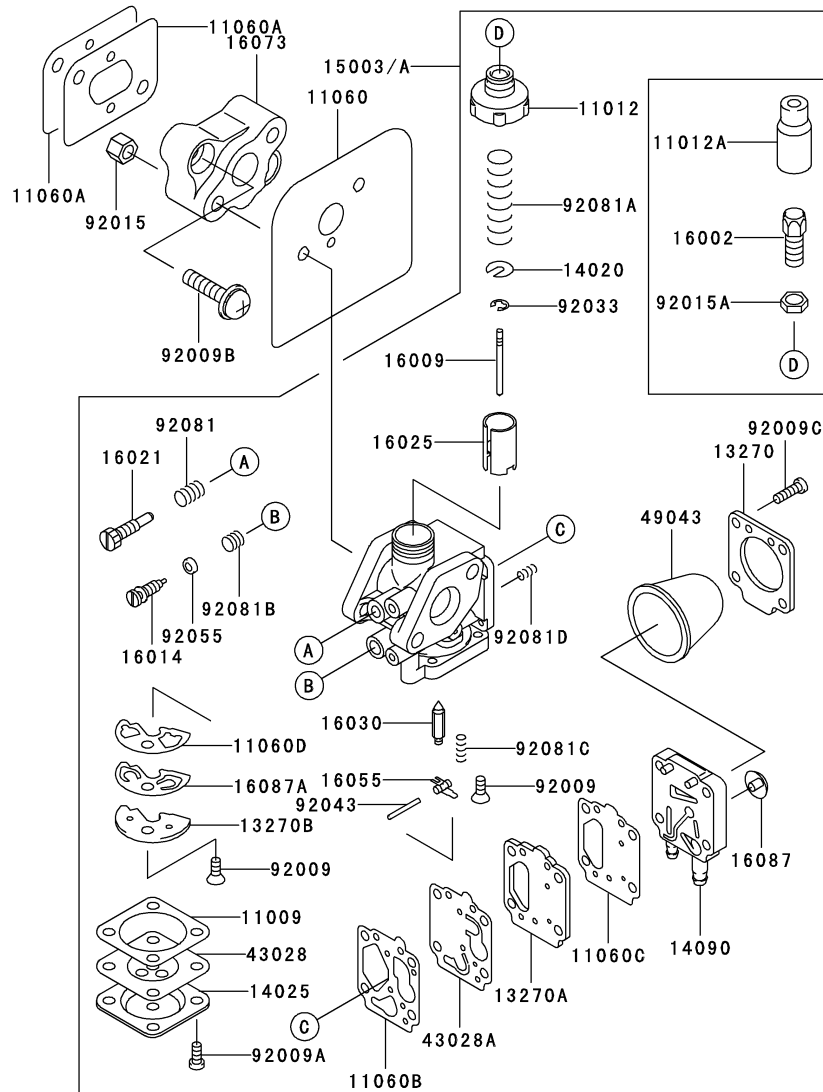
Ref. No.	Part No.	Description	C	Quantity
32099	32099-2326	CASE		1
54012	54012-2342	CABLE-THROTTLE		1
	(	TH048-183375 -	)	
54012A	54012-2359	CABLE-THROTTLE		1
	(	-	TH048-183374)	



This catalog covers:  
**TH048D- □ F30**

This fig. covers:  
**06 CARBURETOR**

E0180-A052D



Ref. No.	Part No.	Description	Quantity
11009	11009-2366	GASKET	1
11012	11012-2185	CAP,BODY	1
11012A	11012-2230	CAP,CARBURETOR	1
(			
11060	11060-2298	GASKET,CARBURETOR	1
11060A	11060-2299	GASKET,INSULATOR	2
11060B	11060-2305	GASKET	1
11060C	11060-2306	GASKET	1
11060D	11060-2307	GASKET	1
13270	13270-2014	PLATE	1
13270A	13270-2015	PLATE	1
13270B	13270-2016	PLATE	1
14020	14020-2009	RETAINER,VALVE	1
14025	14025-2027	COVER	1
14090	14090-2060	COVER	1
15003	15003-2335	CARBURETOR-ASSY	1
(			
			TH048-183374)
15003A	15003-2431	CARBURETOR-ASSY	1
(			
			TH048-183375 - )
16002	16002-2004	ADJUSTER-CABLE	1
(			
			TH048-183374)
16009	16009-2114	NEEDLE-JET,#114	1
16014	16014-2064	SCREW-PILOT AIR	1
16021	16021-2008	SCREW-THROTTLE STOP	1
16025	16025-2173	VALVE-THROTTLE	1
16030	16030-2087	VALVE-FLOAT	1
16055	13168-2118	ARM-FLOAT	1
16073	16073-2176	INSULATOR	1
16087	16087-2059	VALVE-CHECK	1
16087A	16087-2060	VALVE-CHECK	1
43028	43028-2065	DIAPHRAGM	1
43028A	43028-2082	DIAPHRAGM	1
49043	49043-2071	PUMP-PRIMING	1
92009	92009-2053	SCREW	2
92009A	92009-2061	SCREW	4
92009B	92009-2249	SCREW,5X20	2
92009C	92009-2361	SCREW,3X14	4
92015	92015-2097	NUT,M5	2
92015A	92015-2124	NUT	1
(			
			TH048-183374)



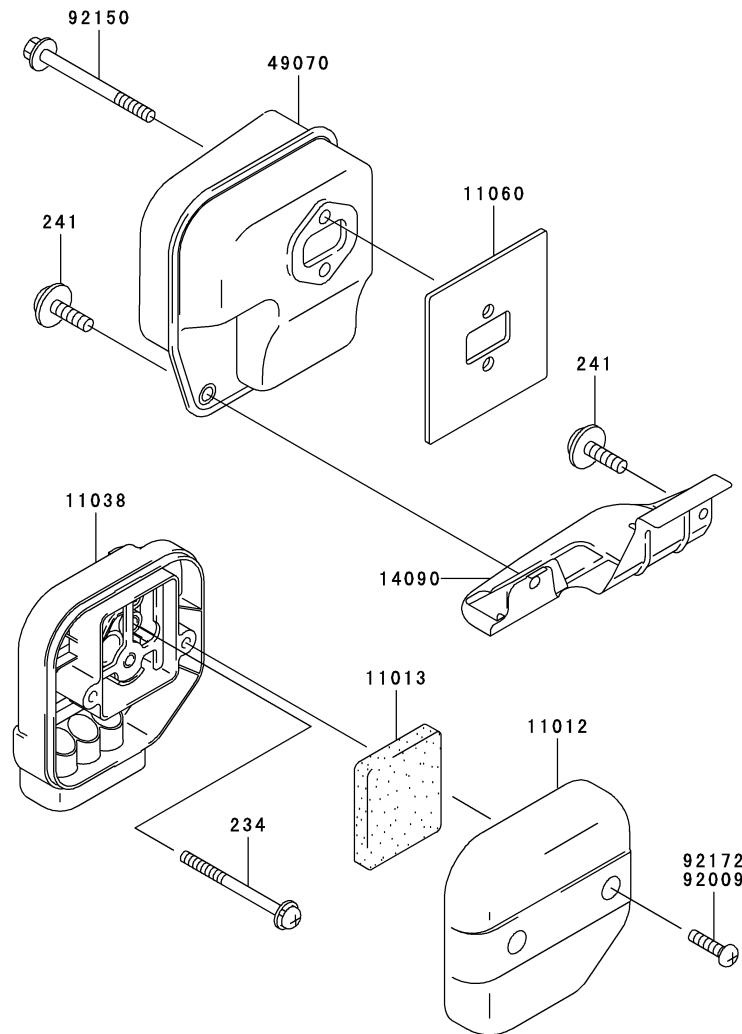


This catalog covers:  
**TH048D- □ F30**

**07**

This fig. covers:  
**AIR-FILTER/MUFFLER**

E0190-A052C

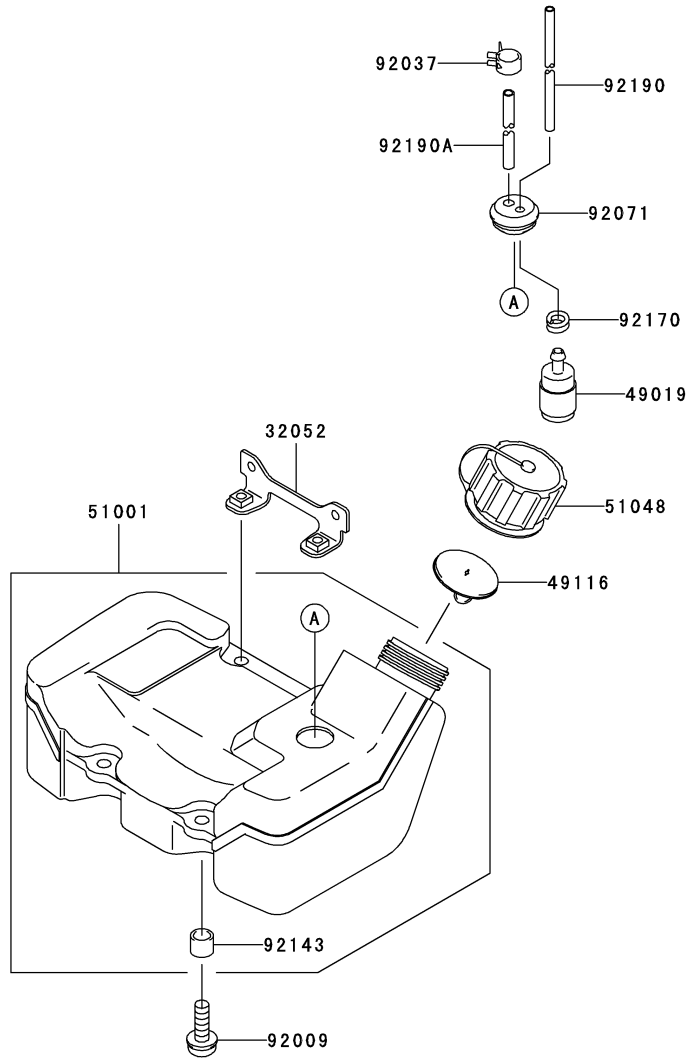


Ref. No.	Part No.	Description	Quantity
11012	11012-2349	CAP,AIR FILTER	1
11013	11013-2081	ELEMENT-AIR FILTER	1
11038	11038-2055	CASE-ASSY-AIR FILTER	1
11060	11060-2297	GASKET,MUFFLER	1
14090	14090-2059	COVER,MUFFLER	1
49070	49070-2630	MUFFLER-COMP	1
92009	92009-2324	SCREW	*
92150	92150-2180	BOLT,6X65	2
92172	92172-2062	SCREW	2
234	234B0555	SCREW-PAN-WSP+-	2
241	241B0512	SCREW-PAN-WP+-	2

This catalog covers:  
**TH048D- □ F30**

This fig. covers:  
**08 FUEL-TANK/FUEL-VALVE**

E0200-A146C



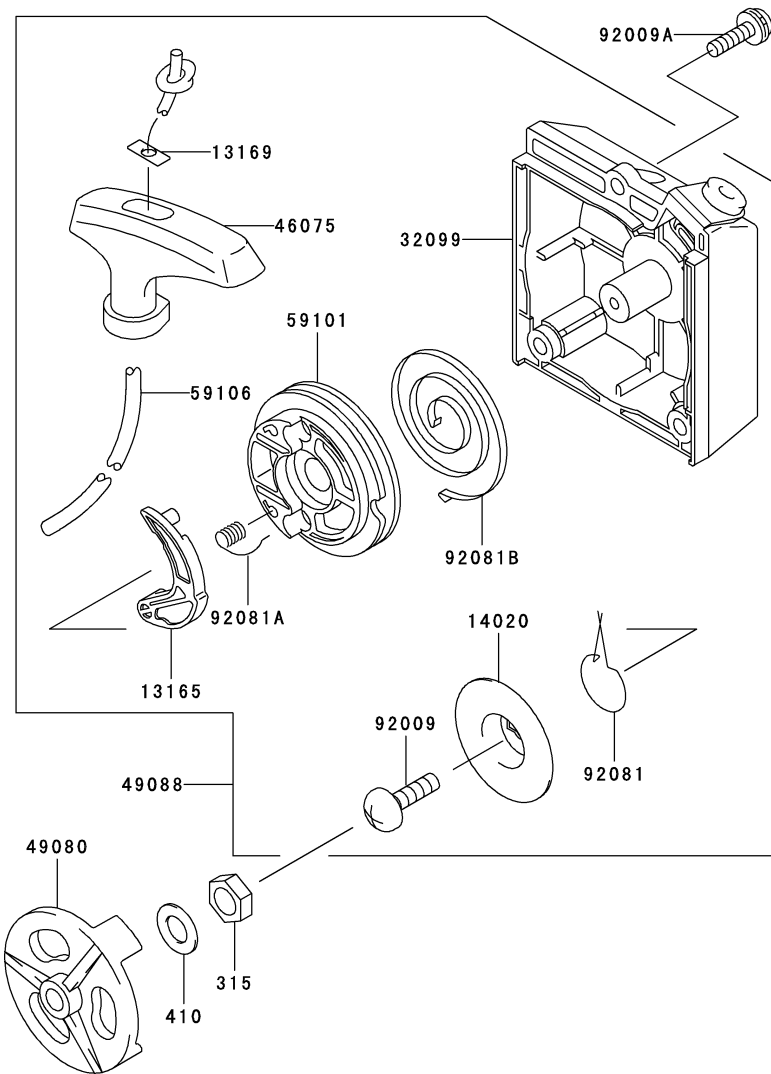
Ref. No.	Part No.	Description	Quantity
32052	32052-2215	BRACKET-TANK	1
49019	49019-2111	FILTER-FUEL	1
49116	49116-2064	VALVE-ASSY	1
51001	51001-2268	TANK-COMP-FUEL	1
51048	51048-2078	CAP-ASSY-TANK	1
92009	92009-2383	SCREW,5X20	4
92037	92037-2139	CLAMP	1
92071	92071-2142	GROMMET,FUEL TANK	1
92143	92143-2162	COLLAR	4
92170	92170-2080	CLAMP,FUEL FILTER	1
92190	92190-2157	TUBE,3X5X200	1
92190A	92190-2161	TUBE,3X6X100	1



This catalog covers:  
**TH048D- □ F30**

This fig. covers:  
**09 STARTER**

E0210-A040B



Ref. No.	Part No.	Description	Quantity
13165	13165-2058	PAWL,RECOIL STARTER	1
13169	13169-2386	PLATE,RECOIL STARTER	1
14020	14020-2057	RETAINER,RECOIL STARTER	1
32099	32099-2272	CASE,RECOIL STARTER	1
46075	46075-2067	GRIP,RECOIL STARTER	1
49080	49080-2173	PULLEY-STARTING	1
49088	49088-2442	STARTER-RECOIL	1
59101	59101-2067	REEL,RECOIL STARTER	1
59106	59106-2077	ROPE,3.8X1200	1
92009	92009-2218	SCREW,5X12	1
92009A	92009-2249	SCREW,5X20	3
92081	92081-2274	SPRING	1
92081A	92081-2275	SPRING	1
92081B	92081-2318	SPRING	1
315	315B0800	NUT-HEX-FINE	1
410	410B0800	W-PLAIN-S	1

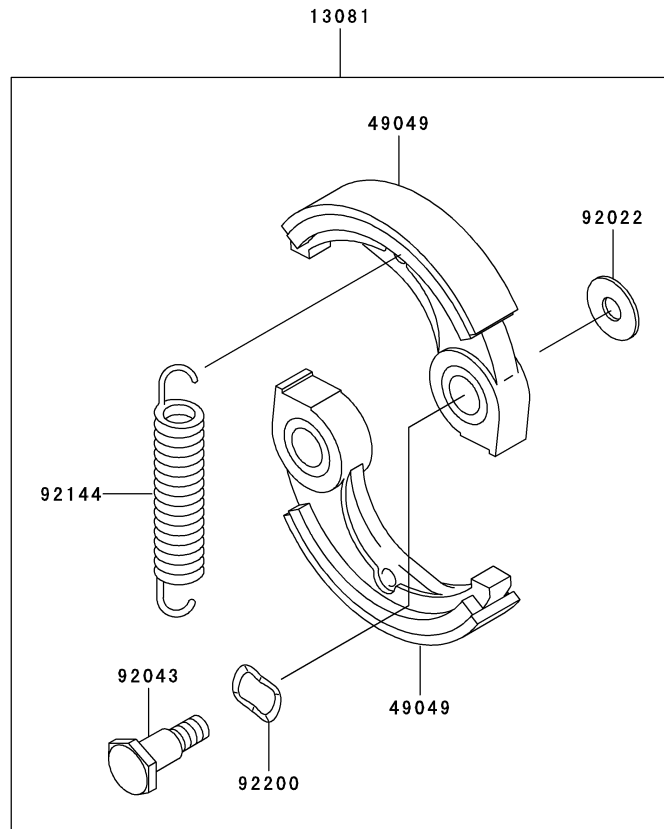


This catalog covers:  
**TH048D- □ F30**

E0220-A022A

**10**

This fig. covers:  
**P.T.O-EQUIPMENT**



Ref. No.	Part No.	Description	Quantity
13081	13081-2221	CLUTCH-ASSY	1
49049	49049-2075	SHOE-CLUTCH	2
92022	92026-2125	WASHER	2
92043	92043-2210	PIN,CLUTCH	2
92144	92144-2390	SPRING	1
92200	92200-2064	WASHER,SPRING,10.5X14.5X0.3	2



This catalog covers:  
**TH048D- □ F30**

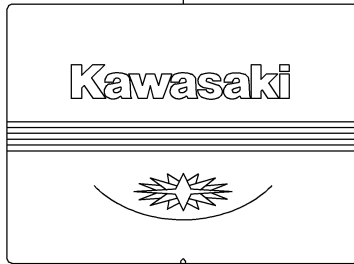
**11**

This fig. covers:  
**LABEL**

F0290-A309A

Ref. No.	Part No.	Description	Quantity
56038	56038-2894	LABEL-BRAND	1
56039	56039-2701	LABEL-PRODUCT	1
56070	56070-2020	LABEL-WARNING	1

56038



56039



56070



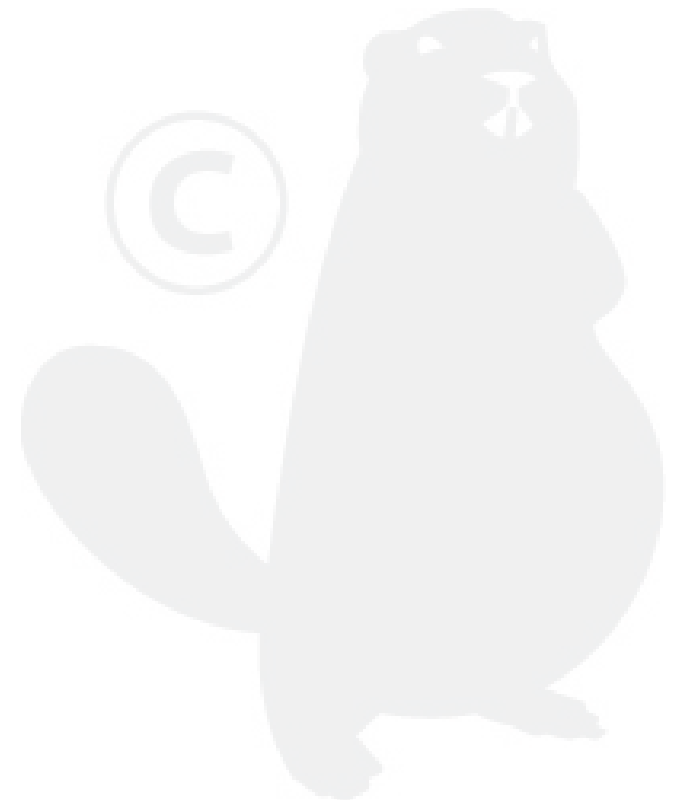
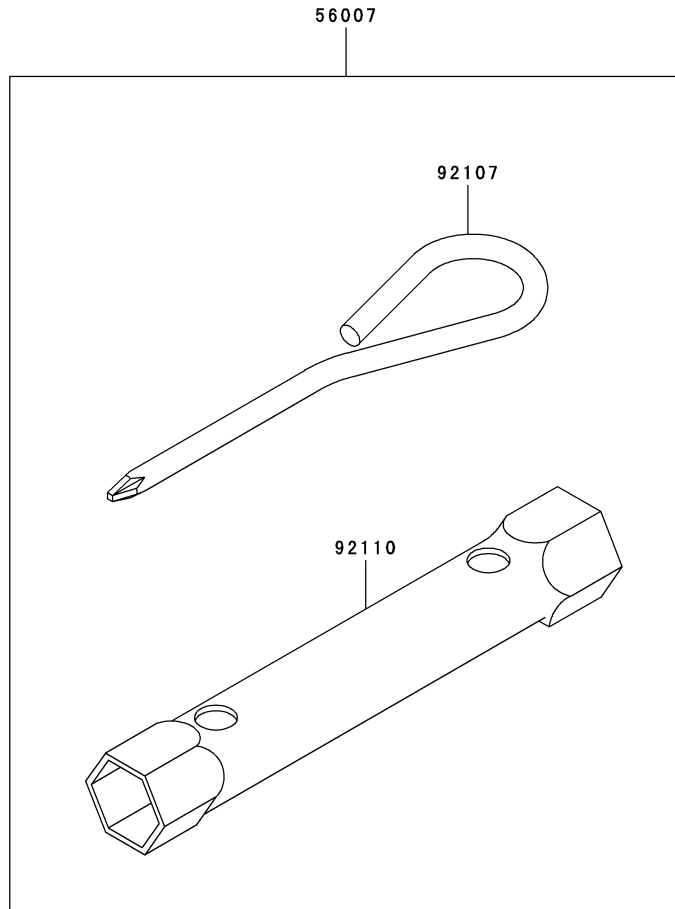
This catalog covers:  
**TH048D- □ F30**

**12**

This fig. covers:  
**TOOL**

F0300-A001A

Ref. No.	Part No.	Description	Quantity
56007	56007-2051	TOOLKIT	1
92107	92107-2057	TOOL-DRIVER	1
92110	92110-2051	TOOL-WRENCH,19X21	1



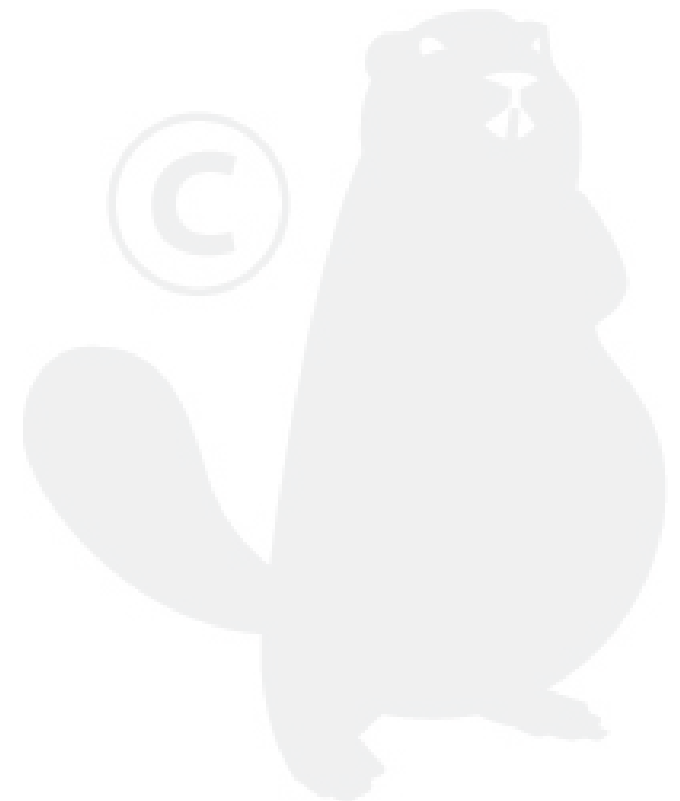
*This catalog covers:*

**TH048D- □ F30**

*This fig. covers:*

## PART NAME INDEX

AIR-FILTER/MUFFLER.....	07
CARBURETOR.....	06
CARBURETOR.....	06
CONTROL-EQUIPMENT.....	05
COOLING-EQUIPMENT.....	03
CYLINDER/CRANKCASE.....	01
ELECTRIC-EQUIPMENT.....	04
FUEL-TANK/FUEL-VALVE.....	08
LABEL.....	11
P.T.O-EQUIPMENT.....	10
PISTON/CRANKSHAFT.....	02
STARTER.....	09
TOOL.....	12





This catalog covers:

TH048D-  F30

This fig. covers:

### NUMERICAL PARTS INDEX

Part No.	Fig No.	Part No.	Fig No.	Part No.	Fig No.	Part No.	Fig No.	Part No.	Fig No.
11005-2123	01	43028-2065	06	92081-2249	06				
11009-2366	06	43028-2082	06	92081-2274	09				
11012-2185	06	46075-2067	09	92081-2275	09				
11012-2230	06	49019-2111	08	92081-2318	09				
11012-2349	07	49043-2071	06	92081-2339	06				
11013-2081	07	49049-2075	10	92081-2340	06				
11038-2055	07	49070-2630	07	92107-2057	12				
11060-2296	01	49080-2173	09	92110-2051	12				
11060-2297	07	49088-2442	09	92143-2162	08				
11060-2298	06	49089-2385	03	92144-2390	10				
11060-2299	06	49089-2386	03	92150-2180	07				
11060-2305	06	49089-2553	03	92150-2182	04				
11060-2306	06	49116-2064	08	92170-2041	04				
11060-2307	06	49119-2173	02	92170-2080	08				
13001-2141	02	51001-2268	08	92172-2060	03				
13002-2067	02	51048-2078	08	92172-2062	07				
13008-6044	02	510A3100	04	92190-2157	08				
13033-2005	02	54012-2342	05	92190-2161	08				
13081-2221	10	54012-2359	05	92200-2064	10				
13165-2058	09	551A0410	01						
13168-2118	06	551A0610	01						
13169-2386	09	56007-2051	12						
13270-2014	06	56038-2894	11						
13270-2015	06	56039-2701	11						
13270-2016	06	56070-2020	11						
14002-2316	01	59066-2747	03						
14002-2317	01	59101-2067	09						
14020-2009	06	59106-2077	09						
14020-2057	09	92002-2150	01						
14025-2027	06	92009-2053	06						
14090-2059	07	92009-2061	06						
14090-2060	06	92009-2115	01						
15003-2335	06	92009-2218	09						
15003-2431	06	92009-2234	03						
16002-2004	06	92009-2249	06						
16009-2114	06	92009-2249	09						
16014-2064	06	92009-2324	07						
16021-2008	06	92009-2361	06						
16025-2173	06	92009-2383	08						
16030-2087	06	92015-2097	06						
16073-2176	06	92015-2124	06						
16087-2059	06	92025-2135	02						
16087-2060	06	92025-2136	02						
21050-2240	04	92025-2137	02						
21130-2056	04	92026-2125	10						
21169-2051	04	92033-2058	02						
21171-2195	04	92033-2070	06						
214B0514	03	92037-2139	08						
214B0520	03	92043-2099	06						
234B0555	07	92043-2210	10						
241B0512	07	92045-2005	01						
26011-2113	04	92049-2206	01						
315B0800	09	92055-2067	06						
315B1000	04	92059-2103	04						
32052-2215	08	92070-2060	04						
32099-2272	09	92071-2097	04						
32099-2326	05	92071-2142	08						
34001-2082	01	92071-2143	04						
410B0800	09	92081-2245	06						
410B1000	04	92081-2246	06						

