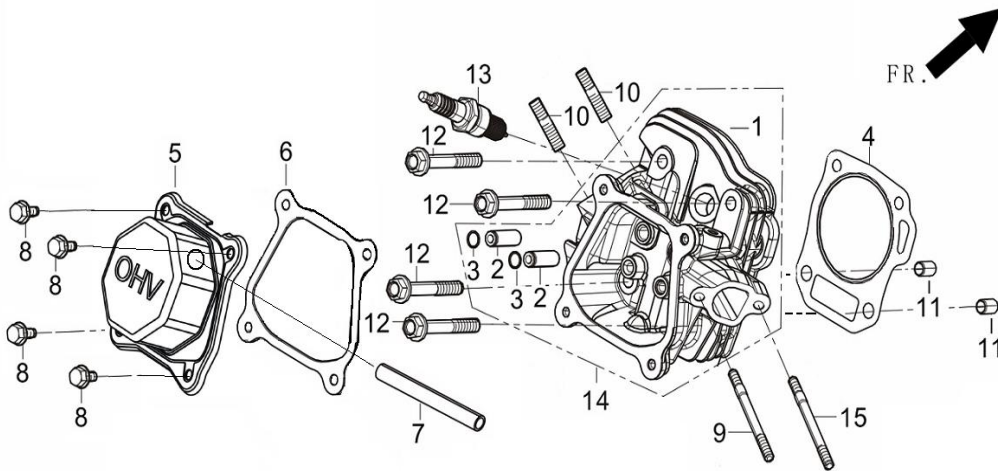


# Pubert engine R180-BH Part list

## Moteur Pubert R180-BH Pièces détachées

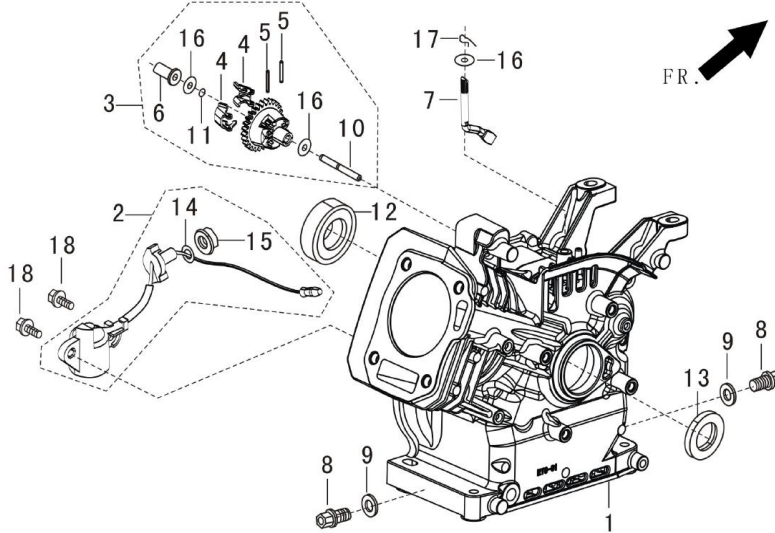
ref document : 0330091004\_-

**FIG.1 HEAD SUBASSEMBLY, CYLINDER / PLUG,SPARK (E04)**



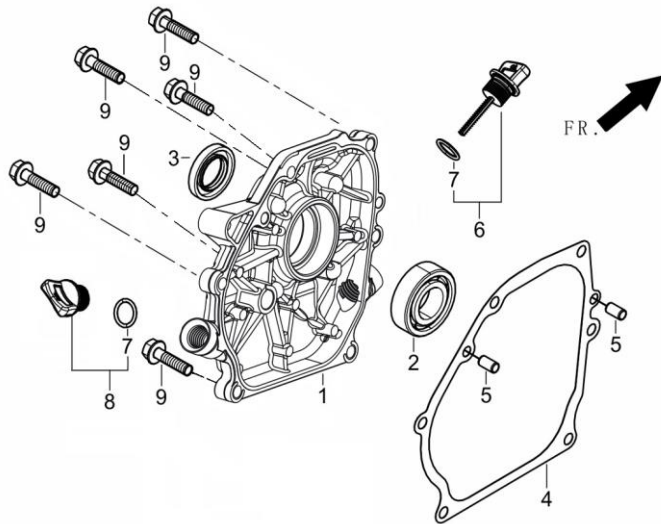
| N°     | Ref externe-External ref | PUBERT Reference | DESIGNATION - DESCRIPTION        | Qt |
|--------|--------------------------|------------------|----------------------------------|----|
| E04-4  | 12131-Z440110-0000       | 0001180003       | GASKET, CYLINDER HEAD            | 1  |
| E04-5  | 12410-Z440110-0000       | 0001210001       | COVER SUBASSEMBLY, CYLINDER HEAD | 1  |
| E04-6  | 12004-Z440110-0000       | 0001180002       | GASKET, CYLINDER HEAD COVER      | 1  |
| E04-7  | 17004-Z440110-0000       | 0001150034       | TUBE, BREATHER                   | 1  |
| E04-8  | 90001-0612-01            |                  | BOLT                             | 4  |
| E04-9  | 90204-Z010310-0000       |                  | STUD                             | 1  |
| E04-10 | 90203-Z010110-0000       |                  | STUD                             | 2  |
| E04-11 | 90502-1114-00            |                  | PIN                              | 2  |
| E04-12 | 12003-Z010110-0000       |                  | BOLT, CYLINDER HEAD              | 4  |
| E04-13 | 30010-Z010110-0000       | 9501000304       | PLUG, SPARK                      | 1  |
| E04-14 | 12140-Z440110-0000       | 0001210002       | HEAD SUBASSEMBLY, CYLINDER       | 1  |
| E04-15 | 90207-Z330210-0000       |                  | STUD                             | 1  |

**FIG.2 CRANKCASE. / GEAR ASSY, GOVERNOR (E17)**



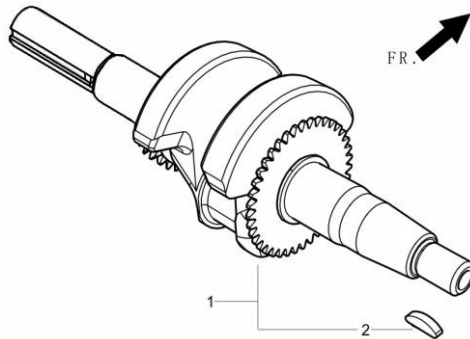
| N°     | Ref externe-External ref | PUBERT Reference | DESIGNATION - DESCRIPTION | Qt |
|--------|--------------------------|------------------|---------------------------|----|
| E17-1  | 11310-Z440310-0000       | 0001210003       | CRANKCASE SUBASSEMBLY.    | 1  |
| E17-2  | 37060-Z010110-0000       |                  | SENSOR, ENGINE OIL        | 1  |
| E17-3  | 16400-Z010110-0000       | 0001180050       | GEAR ASSY, GOVERNOR       | 1  |
| E17-7  | 16061-Z010110-0000       |                  | ARM, GOVERNOR             | 1  |
| E17-8  | 11007-Z010110-0000       | 9501004145       | BOLT, DRAIN PLUG          | 2  |
| E17-9  | 90408-Z010110-0000       | 0001200006       | WASHER                    | 2  |
| E17-12 | 90548-0205-00            | 0001100124       | BEARING                   | 1  |
| E17-13 | 90682-Z300110-0000       | 0001180005       | SEAL, OIL                 | 1  |
| E17-16 | 90408-Z010210-0000       |                  | WASHER, GOVERNOR GEAR     | 3  |
| E17-17 | 90501-Z010110-0000       |                  | PIN                       | 1  |
| E17-18 | 90001-0614-01            |                  | BOLT                      | 2  |

**FIG.3 COVER SUBASSEMBLY, CRANKCASE (E01)**



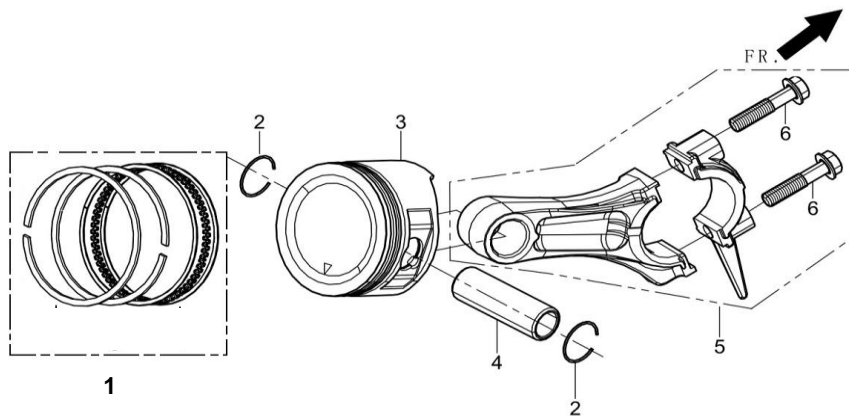
| N°    | Ref externe-External ref | PUBERT Reference | DESIGNATION - DESCRIPTION    | Qt |
|-------|--------------------------|------------------|------------------------------|----|
| E01-1 | 11411-Z440210-0000       | 0001210004       | COVER ASSY, CRANKCASE        | 1  |
| E01-2 | 90548-0205-00            | 0001100124       | BEARING                      | 1  |
| E01-3 | 90682-Z300110-0000       | 0001180005       | SEAL, OIL                    | 1  |
| E01-4 | 11001-Z440110-0000       | 0001060053       | GASKET, CRANKCASE            | 1  |
| E01-5 | 90502-0912-00            |                  | PIN                          | 2  |
| E01-6 | 15010-Z010110-QG00       | 0001180008       | DIPSTICK SUBASSEMBLY, OIL    | 1  |
| E01-8 | 15030-Z010110-QG00       | 0001180007       | PLUG SUBASSEMBLY, ENGINE OIL | 1  |
| E01-9 | 90001-0832-01            |                  | BOLT                         | 6  |

**FIG.4 ROD,CRANKSHAFT CONNETING (E03)**



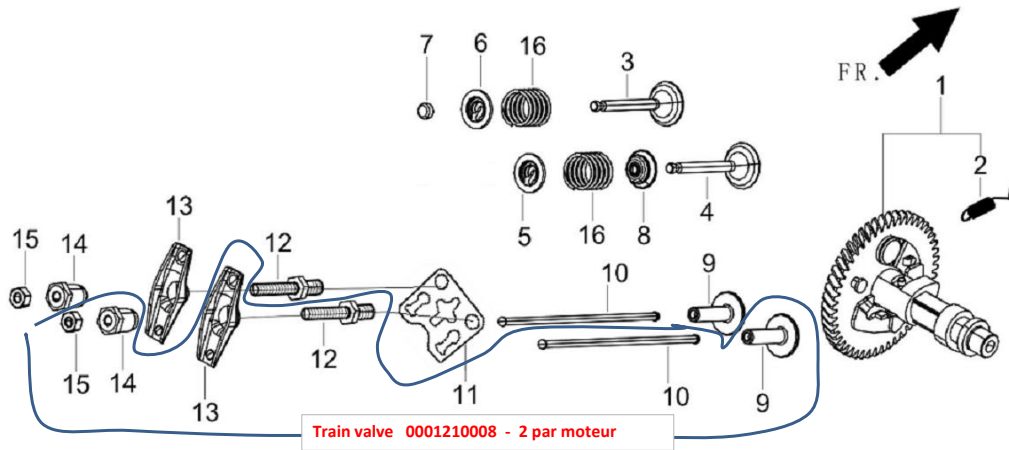
| N°    | Ref externe-External ref | PUBERT Reference | DESIGNATION - DESCRIPTION | QTY |
|-------|--------------------------|------------------|---------------------------|-----|
| E03-1 | 13300-Z440220-0000       | 0001210005       | CRANKSHAFT ASSY.          | 1   |
| E03-2 |                          | 0001180015       | Key shaft                 | 1   |

**FIG.5 RING SET,OIL / ROD,CRANKSHAFT CONNETING (E03)**



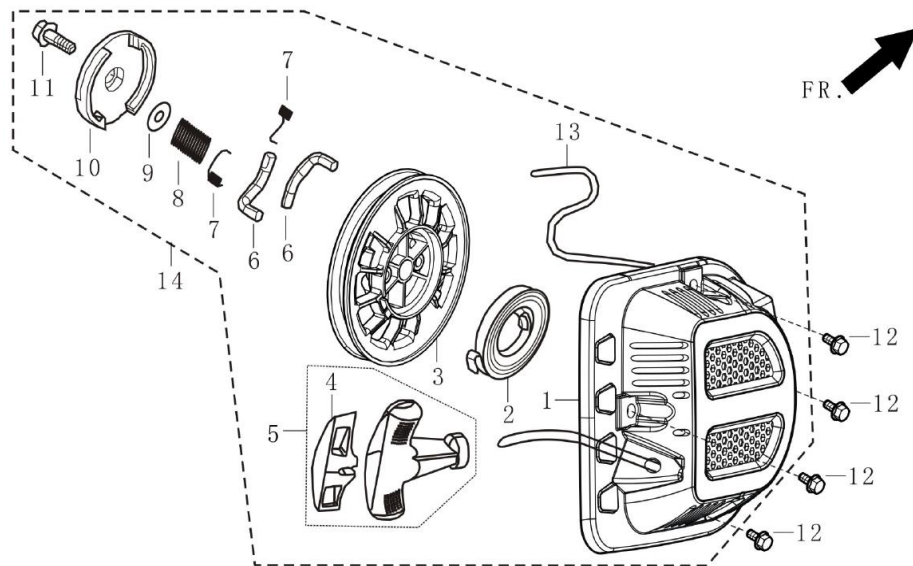
| N°    | Ref externe-External ref | PUBERT Reference | DESIGNATION - DESCRIPTION | Qt |
|-------|--------------------------|------------------|---------------------------|----|
| E04-1 | 13210-Z360110-0000       | 0001210007       | RING SET, OIL             | 1  |
| E04-2 | 13122-Z010110-0000       | 0001180014       | CLIP, PISTON PIN          | 2  |
| E04-3 | 13111-Z360120-0000       | 0001210006       | PISTON ASSY.              | 1  |
| E04-4 | 13121-Z360110-0000       | 0001180011       | PIN, PISTON               | 1  |
| E04-5 | 13010-Z440110-0000       | 0001180012       | ROD, CONNECTING           | 1  |

FIG.6 TRAIN,VALVE / CAMSHAFT SUBASSEMBLY (E05)



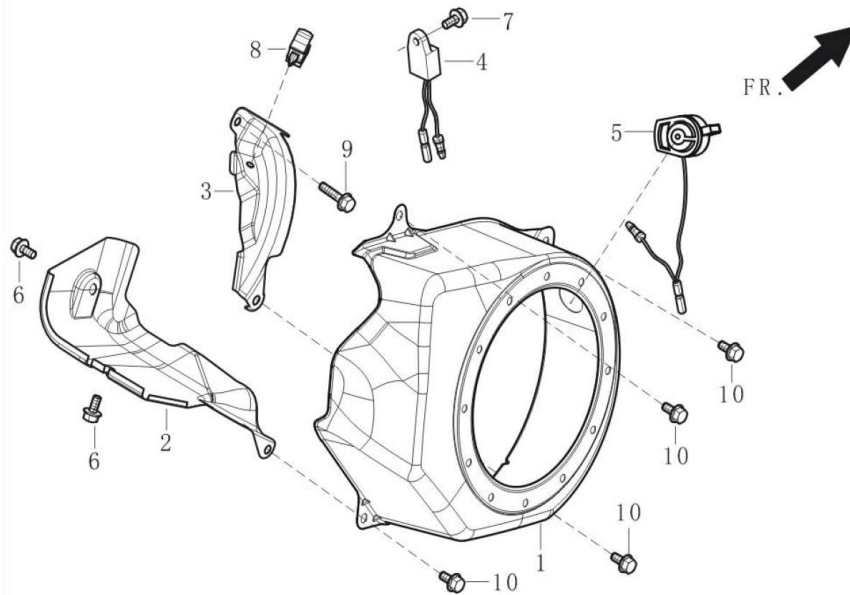
| N°     | Ref externe-External ref | PUBERT Reference | DESIGNATION - DESCRIPTION         | Qt |
|--------|--------------------------|------------------|-----------------------------------|----|
| E04-1  | 14200-Z440110-0000       | 0001180040       | CAMSHAFT ASSY.                    | 1  |
| E04-3  | 12121-Z010110-0000       | 0001060065       | VALVE, EXHAUST                    | 1  |
| E04-4  | 12111-Z010110-0000       | 0001060077       | VALVE, INTAKE                     | 1  |
| E04-5  | 12112-Z010110-0000       | 0001090011       | SEAT, VALVE SPRING                | 1  |
| E04-6  | 12107-Z010110-0000       | 0001060078       | RETAINER, EXHAUST VALVE           | 1  |
| E04-7  | 12104-Z010110-0000       | 9501000562       | R0TATOR, VALVE                    | 1  |
| E04-8  | 12101-Z010110-0000       | 0001180048       | GUIDE, SEAL                       | 1  |
| E04-9  | 14081-Z440110-0000       |                  | TAPPET, VALVE                     | 2  |
| E04-10 | 14071-Z440110-0000       |                  | LIFTER, VALVE                     | 2  |
| E04-11 | 14090-Z440110-0000       |                  | PLATE SUBASSEMBLY, LIFTER STOPPER | 1  |
| E04-12 | 14313-Z010110-0000       |                  | BOLT, VALVE ADJUSTING             | 2  |
| E04-13 | 14311-Z010110-0000       |                  | ROCKER, VALVE                     | 2  |
| E04-14 | 14314-Z010110-0000       |                  | NUT, VALVE ADJUSTING              | 2  |
| E04-15 | 14312-Z010110-0000       |                  | NUT, VALVE LOCK                   | 2  |
| E04-16 | 12103-Z010110-0000       | 0001090010       | SPRING, VALVE                     | 2  |

FIG.7 STARTER,RECOIL (E08)



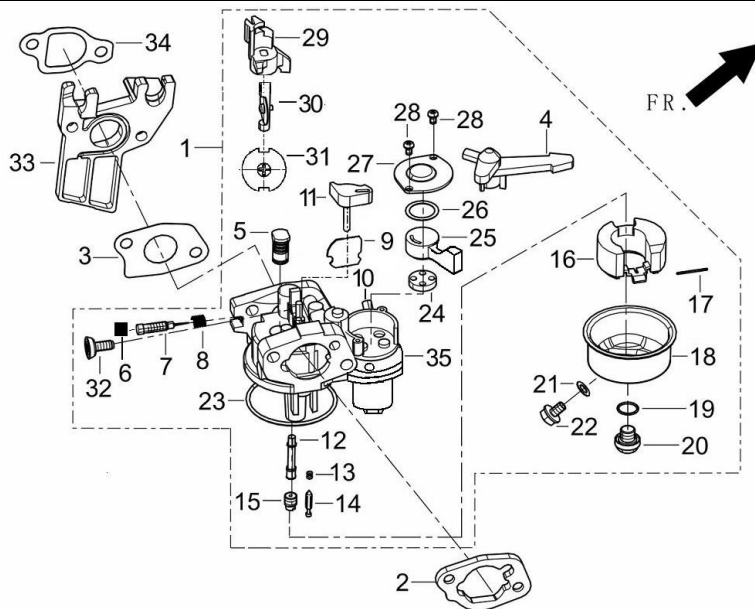
| N°     | Ref externe-External ref | PUBERT Reference | DESIGNATION - DESCRIPTION | Qt |
|--------|--------------------------|------------------|---------------------------|----|
| E08-5  |                          | 0001180017       | Handle                    | 1  |
| E08-12 | 90001-0612-01            |                  | BOLT                      | 4  |
| E08-13 |                          | 0001180041       | Rope                      | 1  |
| E08-14 | 28200-Z010310-Q200       | 0001210010       | STARTER ASSY, RECOIL      | 1  |

**FIG.8 SHROUD / SHIELD,LOWER (E14)**



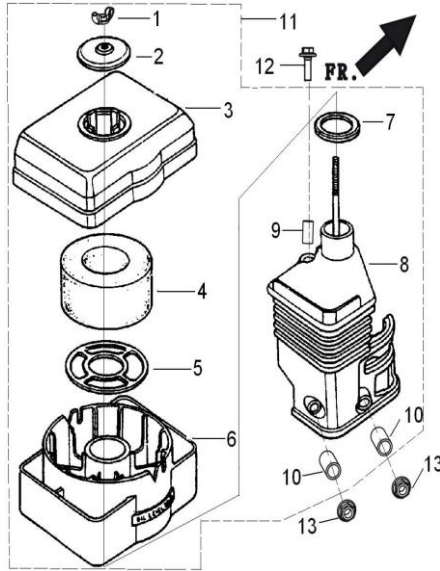
| N°     | Ref externe-External ref | PUBERT Reference  | DESIGNATION - DESCRIPTION       | Qt |
|--------|--------------------------|-------------------|---------------------------------|----|
| E14-1  | 28110-Z010410-H700       | <b>0001210011</b> | SHROUD                          | 1  |
| E14-2  | 19304-Z010110-0000       | <b>0001180019</b> | SHROUD, CYLINDER BODY           | 1  |
| E14-3  | 19340-Z010120-0000       |                   | SHIELD,LOWER                    | 1  |
| E14-4  | 37050-Z010210-0000       |                   | PROTECTOR, OIL                  | 1  |
| E14-5  | 35540-Z060120-QG00       |                   | SWITCH SUBASSEMBLY, STOP ENGINE | 1  |
| E14-6  | 90001-0610-01            |                   | BOLT                            | 2  |
| E14-7  | 90001-0610-01            |                   | BOLT                            | 1  |
| E14-8  | 90740-Z010110-0000       |                   | COLLAR                          | 1  |
| E14-9  | 90001-0616-01            |                   | BOLT                            | 1  |
| E14-10 | 90001-0612-01            |                   | BOLT                            | 4  |

**FIG.9 CARBURETOR ASSY. (E11)**



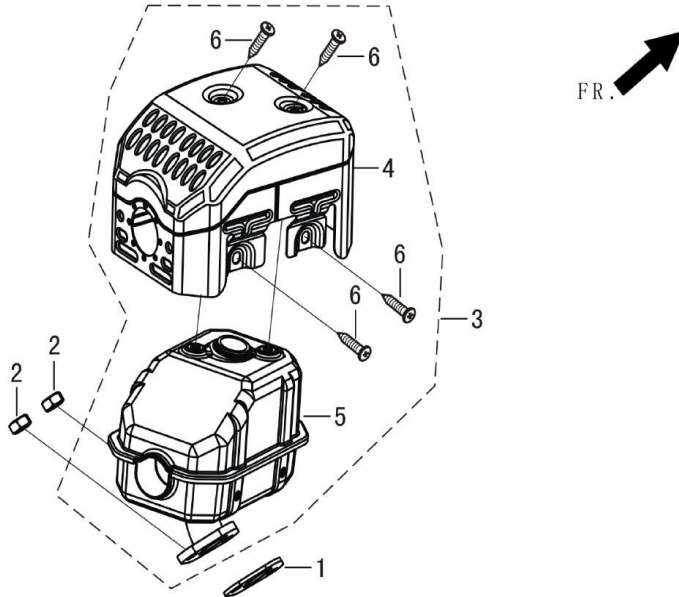
| N°     | Ref externe-External ref | PUBERT Reference  | DESIGNATION - DESCRIPTION    | Qt |
|--------|--------------------------|-------------------|------------------------------|----|
| E11-1  | 16100-Z440210-0000       | <b>0001180020</b> | CARBURETOR ASSY.             | 1  |
| E11-2  | 17001-Z010210-0000       | <b>0001180021</b> | GASKET, AIR CLEANER          | 1  |
| E11-3  | 16001-Z050110-0000       | <b>0001180022</b> | GASKET, CARBURETOR           | 1  |
| E11-4  |                          | <b>0001180047</b> | CHOKE LEVER                  | 1  |
| E11-33 | 16003-Z010110-0000       | <b>0001180023</b> | PLATE, CARBURETOR INSULATOR  | 1  |
| E11-34 | 16002-Z050110-0000       | <b>0001180024</b> | GASKET, CARBURETOR INSULATOR | 1  |

**FIG.10 CLEANER, AIR (F02)**



| N°     | Ref externe-External ref | PUBERT Reference | DESIGNATION - DESCRIPTION   | Qt |
|--------|--------------------------|------------------|-----------------------------|----|
| F02-1  |                          | 0001060037       | BUTTERFLY NUT               | 1  |
| F02-2  |                          | 0001000131       | Plug                        | 1  |
| F02-3  |                          | 0001000130       | filter box - top element    | 1  |
| F02-4  | 17100-Z010410-0000       | 0001060034       | CLEANER, AIR                | 1  |
| F02-5  |                          | 0001000128       | Filter Grid                 | 1  |
| F02-6  |                          | 0001000127       | filter box - bottom element | 1  |
| F02-7  |                          | 0001060036       | seal                        | 1  |
| F02-8  |                          | 0001000129       | filter base                 | 1  |
| F02-11 | 90001-0625-01            | 0001210117       | AIR CLEANER ASSY (OIL BATH) | 1  |

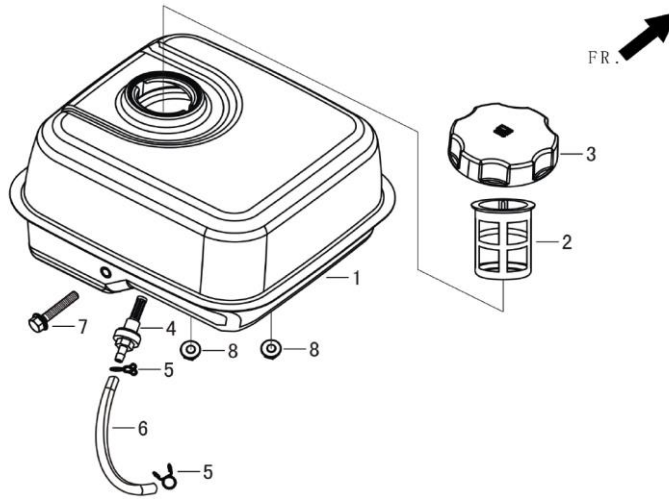
**FIG.11 MUFFLER ASSY. (F04)**



| N°    | Ref externe-External ref | PUBERT Reference | DESIGNATION - DESCRIPTION | Qt |
|-------|--------------------------|------------------|---------------------------|----|
| F04-1 | 18001-Z440110-0000       | 0001180004       | GASKET, EXHAUST OUTLET    | 1  |
| F04-2 | 90303-0800-31            |                  | NUT                       | 2  |
| F04-3 | 18100-Z440420-0000       | 0001210020       | MUFFLER ASSY.             | 1  |
| F04-4 | 18130-Z440210-0000       |                  | COVER, MUFFLER OUTER      | 1  |

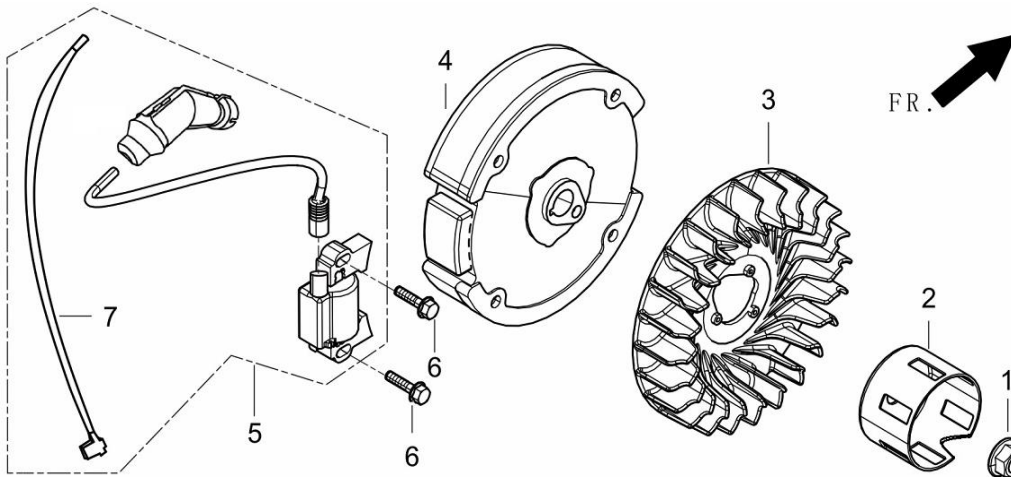


FIG.12 TANK ASSY, FUEL (F01)



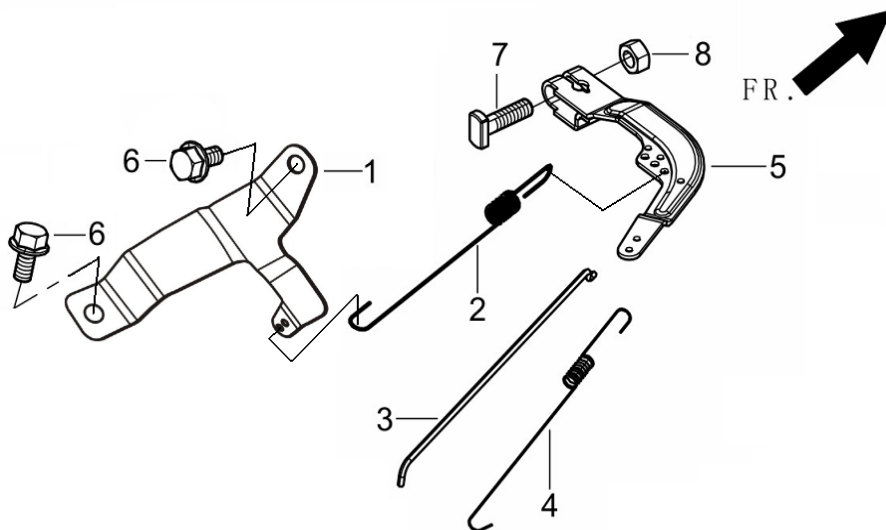
| N°    | Ref externe-External ref | PUBERT Reference | DESIGNATION - DESCRIPTION         | Qt |
|-------|--------------------------|------------------|-----------------------------------|----|
| F01-1 | 16620-Z440210-H700       | 0001210009       | TANK, FUEL                        | 1  |
| F01-2 | 16652-Z010110-0000       | 0001180039       | STRAINER, FUEL                    | 1  |
| F01-3 | 16730-Z440110-0000       | 0001180037       | COVER, FUEL TANK                  | 1  |
| F01-4 | 16680-Z010110-0000       | 0001180036       | OUTLET SUBASSEMBLY, FUEL TANK OIL | 1  |
| F01-5 | 90740-Z010210-0000       |                  | COLLAR                            | 2  |
| F01-6 | 90686-Z010710-0000       | 0001210012       | TUBE, FUEL                        | 1  |
| F01-7 | 90001-0630-01            |                  | BOLT                              | 1  |
| F01-8 | 90305-0600-31            |                  | NUT                               | 2  |

FIG.13 FLYWHEEL / IMPELLER / STARTER PULLEY / IGNITION COIL (E15)



| N°    | Ref externe-External ref | PUBERT Reference | DESIGNATION - DESCRIPTION | Qt |
|-------|--------------------------|------------------|---------------------------|----|
| E15-1 | 13501-Z010110-0000       | 0001180029       | NUT                       | 1  |
| E15-2 | 28002-Z010210-0000       | 0001210021       | PULLEY, STARTER           | 1  |
| E15-3 | 19352-Z440110-0000       | 0001180027       | IMPELLER                  | 1  |
| E15-4 | 13510-Z440110-0000       | 0001210013       | FLYWHEEL SUBASSEMBLY      | 1  |
| E15-5 | 30400-Z440110-0000       | 0001180025       | COIL, IGNITION            | 1  |
| E15-6 | 90001-0625-01            |                  | BOLT                      | 2  |

FIG.14 CONTROL ASSY, THROTTLE (E13)



| N°    | Ref externe-External ref | PUBERT Reference | DESIGNATION - DESCRIPTION        | Qt |
|-------|--------------------------|------------------|----------------------------------|----|
| E13-1 | 16520-Z010610-0000       | 0001180045       | CONTROL ASSY, THROTTLE           | 1  |
| E13-2 | 16063-Z440110-0000       | 0001060023       | SPRING, GOVERNOR                 | 1  |
| E13-3 | 16062-Z010110-0000       | 0001180032       | ROD, GOVERNEOR                   | 1  |
| E13-4 | 16012-Z010110-0000       | 0001000222       | SPRING, THROTTLE VALVE RETURNING | 1  |
| E13-5 | 16070-Z010110-0000       | 0001180046       | SUPPORT SUBASSEMBLY, GOVERNOR    | 1  |
| E13-6 | 90001-0610-01            |                  | BOLT                             | 2  |
| E13-7 | 16072-Z010110-0000       |                  | BOLT, GOVERNOR SUPPORT           | 1  |
| E13-8 | 90305-0600-31            |                  | NUT                              | 1  |