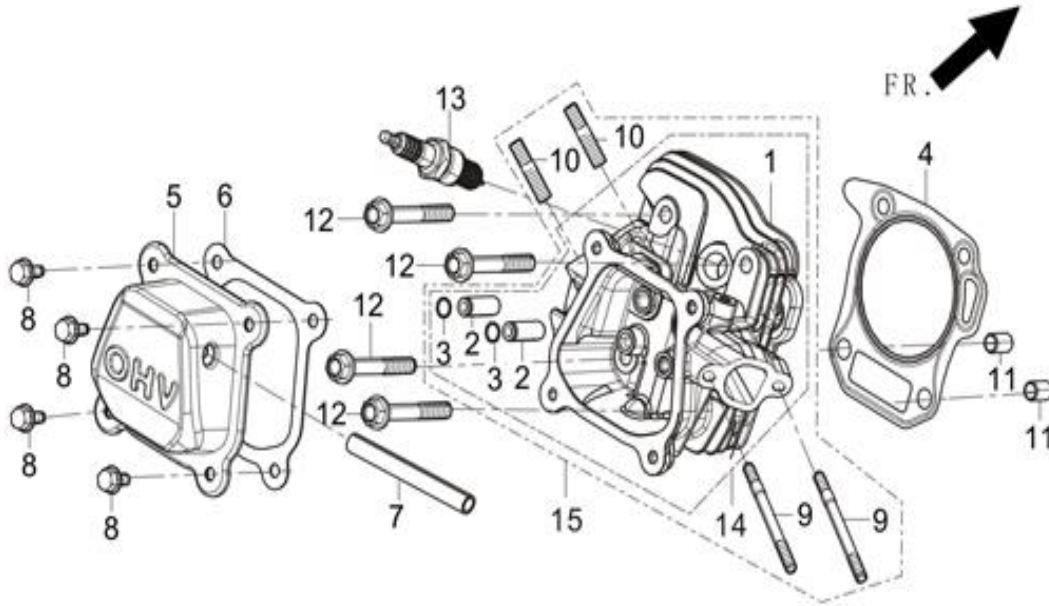


# Pubert engine R210-BH Part list

## Moteur Pubert R210-BH Pièces détachées

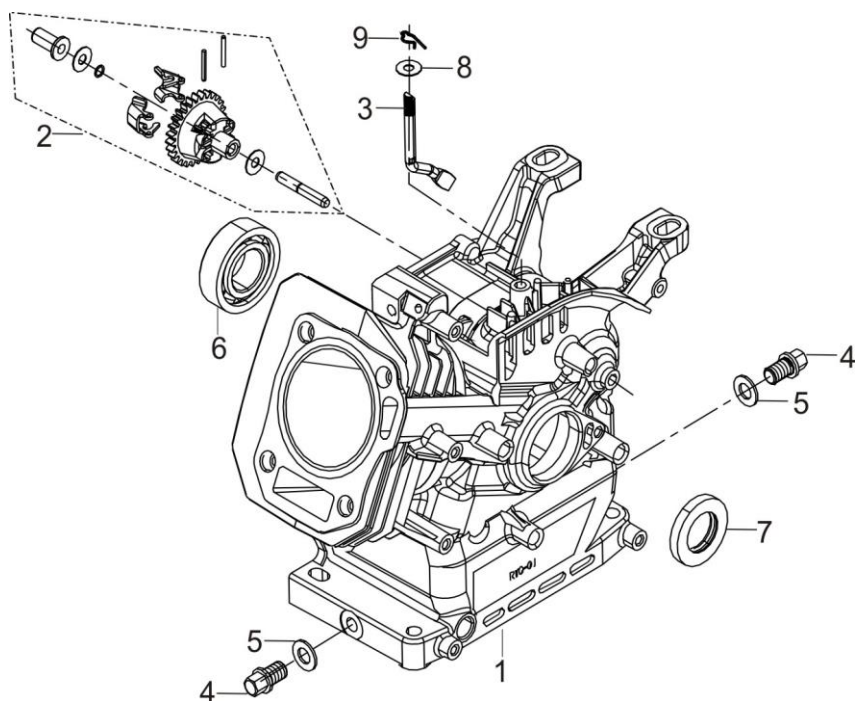
ref document :0330091003\_-

**FIG.1 HEAD SUBASSEMBLY, CYLINDER / PLUG,SPARK (E04)**



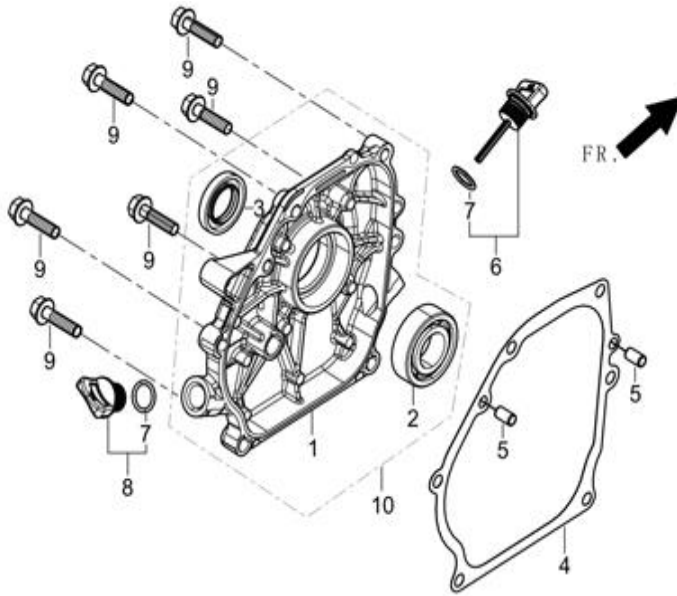
N°	Ref externe - External ref	PUBERT Reference	DESIGNATION - DESCRIPTION	QTY
E04-4	12131-Z530120-0000	<b>0001210101</b>	GASKET, CYLINDER HEAD	1
E04-5	12410-Z440210-0099	<b>0001210001</b>	COVER SUBASSEMBLY, CYLINDER HEAD	1
E04-6	12004-Z440210-0000	<b>0001180002</b>	GASKET, CYLINDER HEAD COVER	1
E04-7	17004-Z440110-0000	<b>0001150034</b>	TUBE, BREATHER	1
E04-8	90001-0612-01	Not available-Pas disponible	BOLT	4
E04-9	90204-Z010310-0000	Not available-Pas disponible	STUD	2
E04-10	90203-Z010110-0000	Not available-Pas disponible	STUD	2
E04-11	90502-1114-00	Not available-Pas disponible	PIN	2
E04-12	12003-Z010110-0000	Not available-Pas disponible	BOLT, CYLINDER HEAD	4
E04-13	30010-Z010110-0000	<b>9501000304</b>	PLUG, SPARK	1
E04-15	12140-Z440310-0000	<b>0001210102</b>	HEAD SUBASSEMBLY, CYLINDER	1

**FIG.2 CRANKCASE. / GEAR ASSY, GOVERNOR. (E17)**



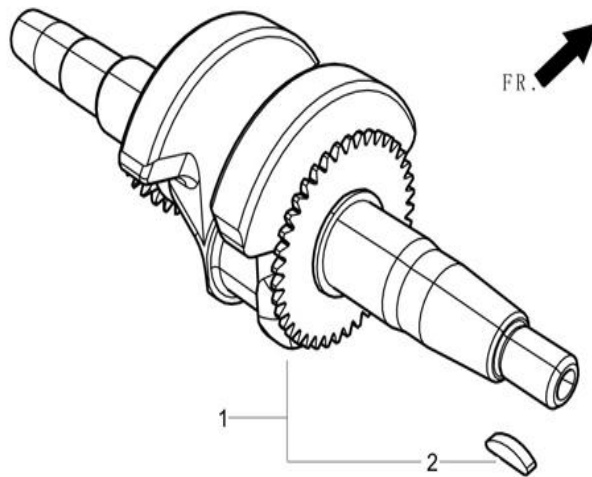
N°	Ref externe - External ref	PUBERT Reference	DESIGNATION - DESCRIPTION	QTY
E17-1	11310-Z530320-0000	<b>0001210103</b>	CRANKCASE SUBASSEMBLY	1
E17-2	16400-Z010110-0000	<b>0001180050</b>	GEAR ASSY, GOVERNOR	1
E17-3	16061-Z010110-0000	Not available-Pas disponible	ARM, GOVERNOR	1
E17-4	11007-Z010110-0000	<b>9501004145</b>	BOLT, DRAIN PLUG	2
E17-5	90408-Z010110-0000	<b>0001200006</b>	WASHER	2
E17-6	90548-0205-CL	<b>0001100124</b>	BEARING	1
E17-7	90682-Z300110-0000	<b>0001180005</b>	SEAL, OIL	1
E17-8	90408-Z010210-0000	Not available-Pas disponible	WASHER, GOVERNOR GEAR	1
E17-9	90501-Z010110-0000	Not available-Pas disponible	PIN	1

**FIG.3 COVER SUBASSEMBLY, CRANKCASE (E01)**



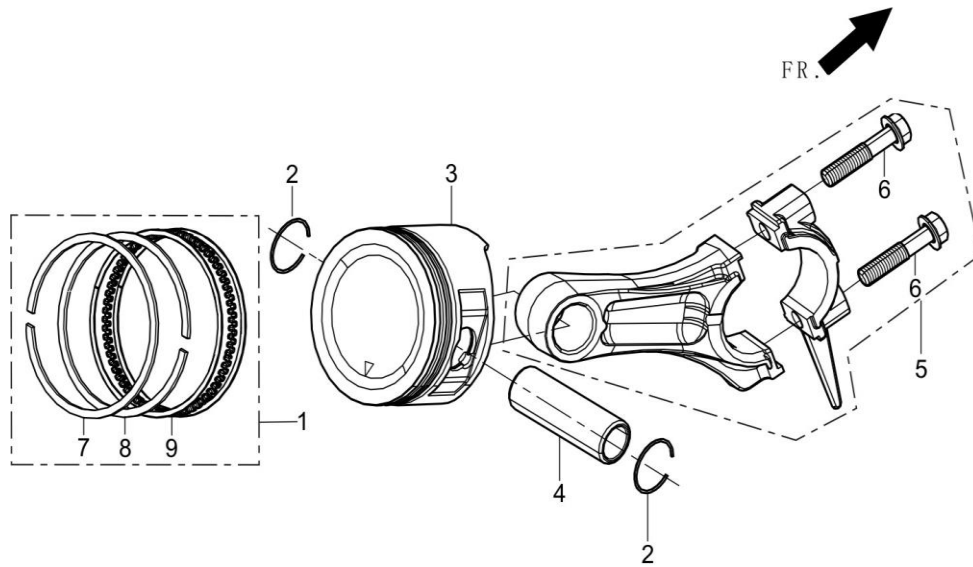
N°	Ref externe - External ref	PUBERT Reference	DESIGNATION - DESCRIPTION	QTY
E01-1	11411-Z440310-0000	0001210004	COVER , CRANKCASE	1
E01-2	90548-0205-CL	0001100124	BEARING	1
E01-3	90682-Z300110-0000	0001180005	SEAL, OIL	1
E01-4	11001-Z440110-0000	0001060053	GASKET, CRANKCASE	1
E01-5	90502-0912-00	Not available-Pas disponible	PIN	2
E01-6	15010-Z010120-Q500	0001180008	DIPSTICK SUBASSEMBLY, OIL	1
E01-8	15030-Z010110-QG00	0001180007	PLUG SUBASSEMBLY, ENGINE OIL	1
E01-9	90001-0832-01	Not available-Pas disponible	BOLT	6

**FIG.4 ROD,CRANKSHAFT CONNETING (E03)**



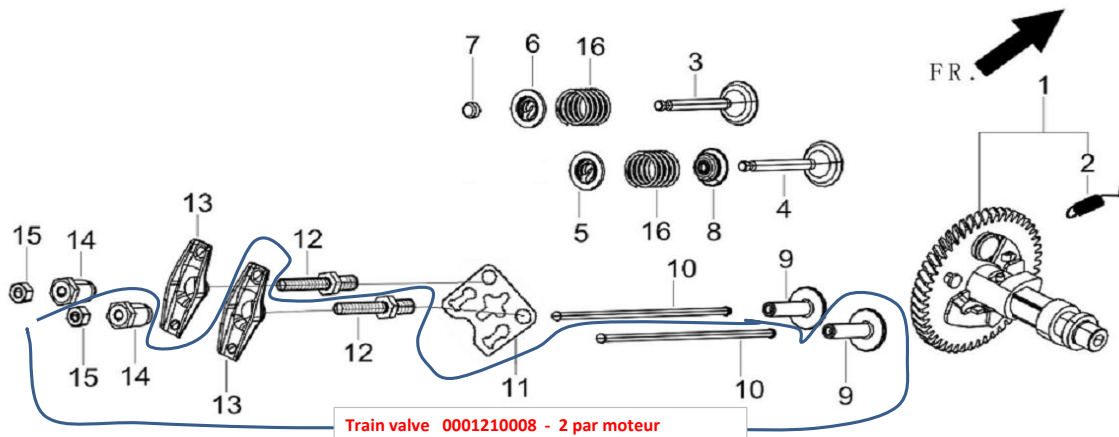
N°	Ref externe - External ref	PUBERT Reference	DESIGNATION - DESCRIPTION	QTY
E03-1	13300-Z530210-0000	0001210005	CRANKSHAFT ASSY.	1
E03-2		0001180015	Key shaft	1

**FIG.5 RING SET,OIL / ROD,CRANKSHAFT CONNETING (E03)**



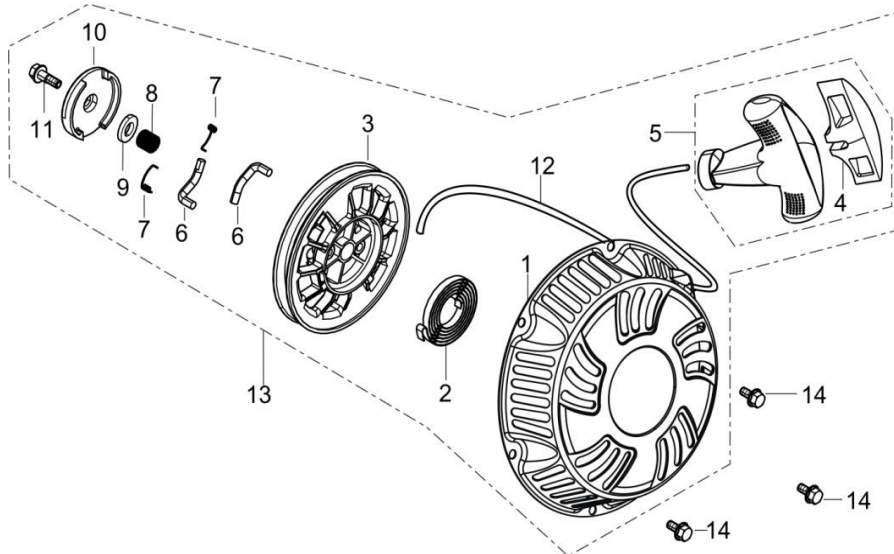
N°	Ref externe - External ref	PUBERT Reference	DESIGNATION - DESCRIPTION	QTY
E04-1		<b>0001210107</b>	RING SET, OIL	1
E04-2	13122-Z010110-0000	<b>0001180014</b>	CLIP, PISTON PIN	2
E04-3	13111-Z140110-0000	<b>0001210106</b>	PISTON	1
E04-4	13121-Z010110-0000	<b>0001180011</b>	PIN, PISTON	1
E04-5	13010-Z440110-0000	<b>0001180012</b>	ROD, CONNECTING	1
E04-7	13201-Z140110-0000	Not available alone -Pas disponible	RING, THE FIRST	1
E04-8	13202-Z140110-0000	Not available alone -Pas disponible	RING, THE SECON	1
E04-9	13210-Z140110-0000	Not available alone -Pas disponible	RING SET, OIL	1

FIG.6 TRAIN,VALVE / CAMSHAFT SUBASSEMBLY (E05)



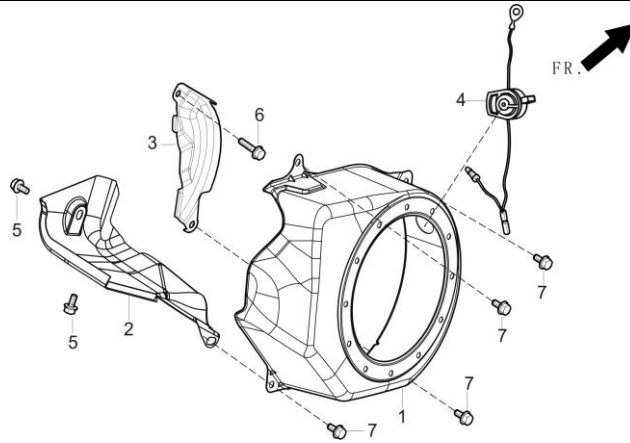
N°	Ref externe - External ref	PUBERT Reference	DESIGNATION - DESCRIPTION	QTY
E04-1	14200-Z440110-0000	0001180040	CAMSHAFT ASSY.	1
E04-3	12121-Z010110-0000	0001060065	VALVE, EXHAUST	1
E04-4	12111-Z010110-0000	0001060077	VALVE, INTAKE	1
E04-5	12112-Z010110-0000	0001090011	SEAT, VALVE SPRING	1
E04-6	12107-Z010110-0000	0001060078	RETAINER, EXHAUST VALVE	1
E04-7	12104-Z010110-0000	9501000562	ROTATOR, VALVE	1
E04-8	12101-Z010110-0000	0001180048	GUIDE, SEAL	1
E04-9	14081-Z440110-0000	Not available-Pas disponible	TAPPET, VALVE	2
E04-10	14071-Z440110-0000	Not available-Pas disponible	LIFTER, VALVE	2
E04-11	14090-Z010110-0000	Not available-Pas disponible	PLATE SUBASSEMBLY, LIFTER STOPPER	1
E04-12	14313-Z010110-0000	Not available-Pas disponible	BOLT, VALVE ADJUSTING	2
E04-13	14311-Z010110-0000	Not available-Pas disponible	ROCKER, VALVE	2
E04-14	14314-Z010110-0000	Not available-Pas disponible	NUT, VALVE ADJUSTING	2
E04-15	14312-Z010110-0000	Not available-Pas disponible	NUT, VALVE LOCK	2
E04-16	12103-Z010110-0000	0001090010	SPRING, VALVE	2

FIG.7 STARTER,RECOIL (E08)



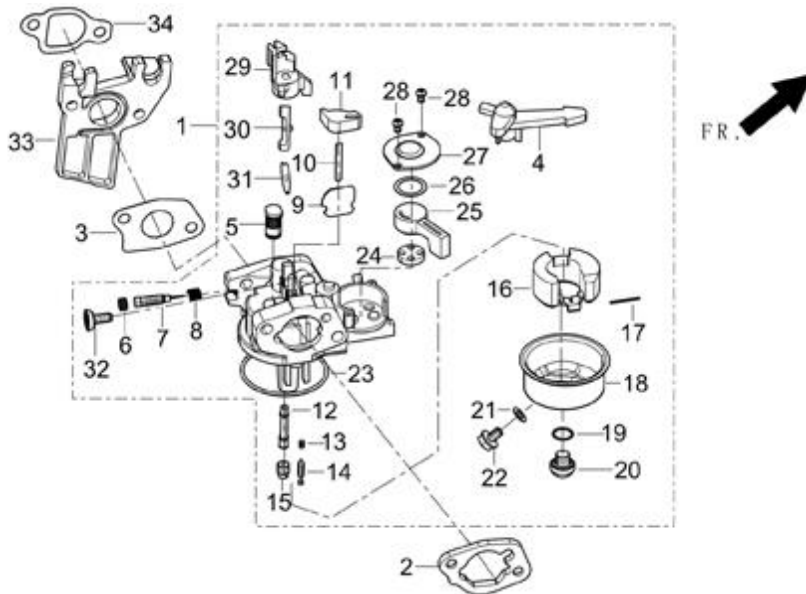
N°	Ref externe - External ref	PUBERT Reference	DESIGNATION - DESCRIPTION	QTY
E08-5		0001180017	Handle	1
E08-12	90001-0612-01		BOLT	4
E08-13		0001180041	Rope	1
E08-14	28200-Z010310-Q200	0001210010	STARTER ASSY, RECOIL	1

**FIG.8 SHROUD / SHIELD,LOWER (E14)**



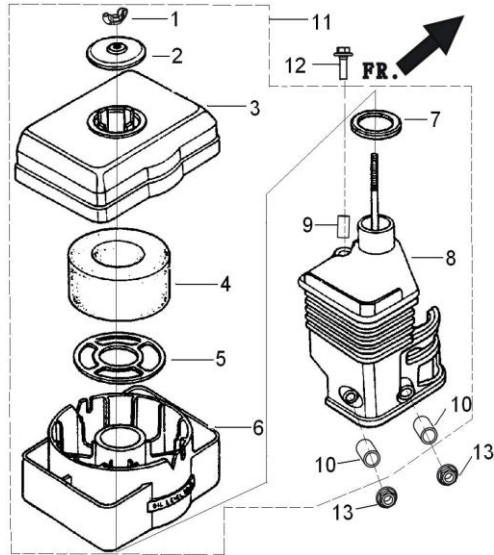
N°	Ref externe - External ref	PUBERT Reference	DESIGNATION - DESCRIPTION	QTY
E14-1	28110-Z010410-H300	<b>0001210011</b>	SHROUD	1
E14-2	19304-Z010110-0000	<b>0001180019</b>	SHROUD, CYLINDER BODY	1
E14-3	19340-Z010120-0000	Not available-Pas disponible	SHIELD,LOWER	1
E14-4	35540-Z010220-QG00	Not available-Pas disponible	SWITCH SUBASSEMBLY, STOP ENGINE	1
E14-7	90001-0612-01	Not available-Pas disponible	BOLT	4
E14-5	90001-0610-01	Not available-Pas disponible	BOLT	2
E14-6	90001-0616-01	Not available-Pas disponible	BOLT	1

**FIG.9 CARBURETOR ASSY. (E11)**



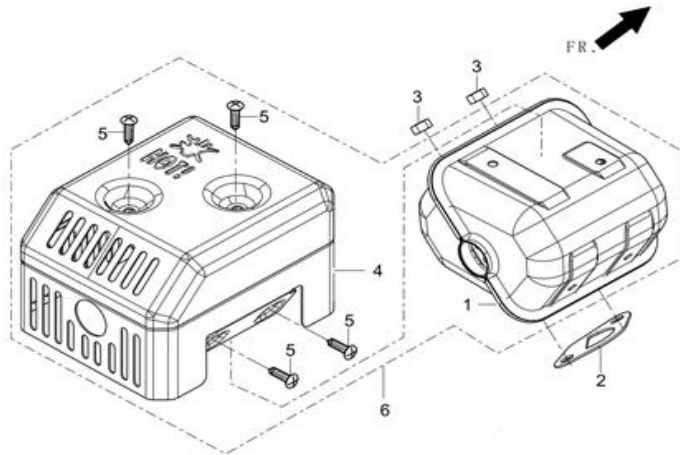
N°	Ref externe - External ref	PUBERT Reference	DESIGNATION - DESCRIPTION	QTY
E11-1	16100-Z530210-0000	<b>0001180020</b>	CARBURETOR ASSY.	1
E11-2	17001-Z010210-0000	<b>0001180021</b>	GASKET, AIR CLEANER	1
E11-3	16001-Z010110-0000	<b>0001180022</b>	GASKET, CARBURETOR	1
E11-4		<b>0001180047</b>	CHOKE LEVER	1
E11-33	16003-Z010110-0000	<b>0001180023</b>	PLATE, CARBURETOR INSULATOR	1
E11-34	16002-Z050110-0000	<b>0001180024</b>	GASKET, CARBURETOR INSULATOR	1

**FIG.10 CLEANER, AIR (F02)**



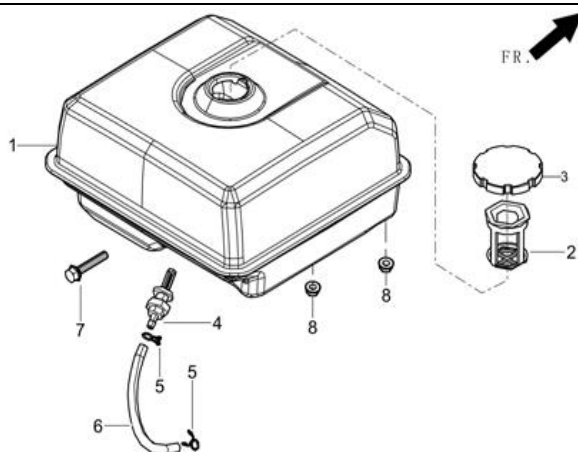
N°	Ref externe-External ref	PUBERT Reference	DESIGNATION - DESCRIPTION	Qt
F02-1		0001060037	BUTTERFLY NUT	1
F02-2		0001000131	Plug	1
F02-3		0001000130	filter box - top element	1
F02-4	17100-Z010410-0000	0001060034	CLEANER, AIR	1
F02-5		0001000128	Filter Grid	1
F02-6		0001000127	filter box - bottom element	1
F02-7		0001060036	seal	1
F02-8		0001000129	filter base	1
F02-11	90001-0625-01	0001210117	AIR CLEANER ASSY (OIL BATH)	1

**FIG.11 MUFFLER ASSY. (F04)**



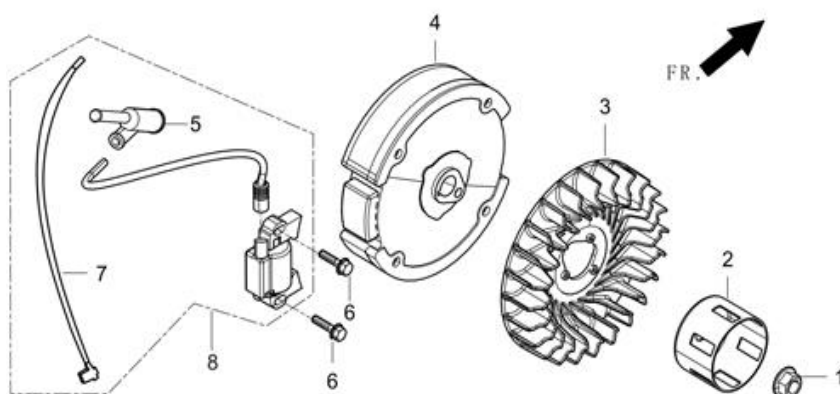
N°	Ref externe - External ref	PUBERT Reference	DESIGNATION - DESCRIPTION	QTY
F04-2	18001-Z440110-0000	0001180004	GASKET, EXHAUST OUTLET	1
F04-3	90303-0800-31	Not available-Pas disponible	NUT	2
F04-6	18100-Z440310-0002	0001210020	MUFFLER ASSY.	1

**FIG.12 TANK ASSY, FUEL (F01)**



N°	Ref externe - External ref	PUBERT Reference	DESIGNATION - DESCRIPTION	QTY
F01-1	16620-Z300110-H300	<b>0001210009</b>	TANK, FUEL	1
F01-2	16652-Z010110-0000	<b>0001180039</b>	STRAINER, FUEL	1
F01-3	16730-Z300120-0000	<b>0001180037</b>	COVER, FUEL TANK	1
F01-4	16680-Z010110-0000	<b>0001180036</b>	OUTLET SUBASSEMBLY, FUEL TANK OIL	1
F01-5	90740-Z010210-0000	Not available-Pas disponible	COLLAR	2
F01-6	90686-Z010710-0000	<b>0001210012</b>	TUBE, FUEL	1
F01-7	90001-0630-01	Not available-Pas disponible	BOLT	1
F01-8	90305-0600-31	Not available-Pas disponible	NUT	2

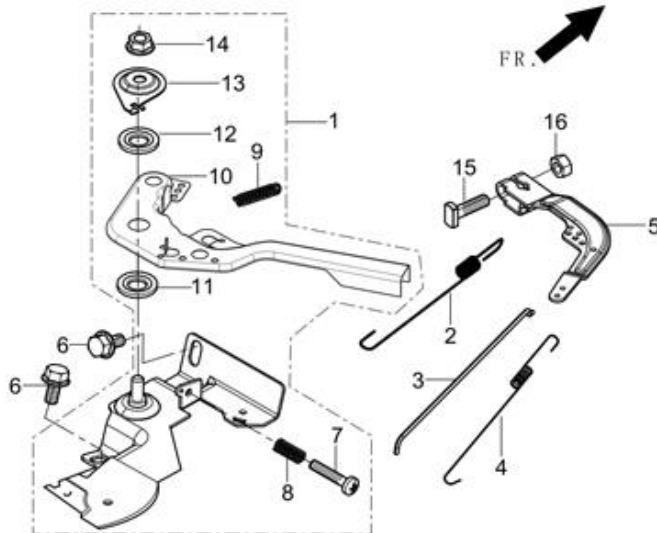
**FIG.13 FLYWHEEL / IMPELLER / STARTER PULLEY / IGNITION COIL (E15)**



N°	Ref externe - External ref	PUBERT Reference	DESIGNATION - DESCRIPTION	QTY
E15-1	13501-Z010110-0000	<b>0001180029</b>	NUT, FLYWHEEL	1
E15-2	28002-Z260210-0000	<b>0001210021</b>	PULLEY, STARTER	1
E15-3	19352-Z440110-0000	<b>0001180027</b>	IMPELLER	1
E15-4	13510-Z440110-0000	Not available-Pas disponible	FLYWHEEL SUBASSEMBLY	1
E15-6	90001-0625-01	Not available-Pas disponible	BOLT	2
E15-8	30400-Z440110-0000	<b>0001180025</b>	COIL, IGNITION	1



**FIG.14 CONTROL ASSY, THROTTLE (E13)**



N°	Ref externe - External ref	PUBERT Reference	DESIGNATION - DESCRIPTION	QTY
E13-1	16520-Z010420-0000	<b>0001180045</b>	CONTROL ASSY, THROTTLE	1
E13-2	16063-Z010110-0000	<b>0001060023</b>	SPRING, GOVERNOR	1
E13-3	16062-Z010110-0000	<b>0001180032</b>	ROD, GOVERNER	1
E13-4	16012-Z010110-0000	<b>0001000222</b>	SPRING, THROTTLE VALVE RETURNING	1
E13-5	16070-Z010110-0000	<b>0001180046</b>	SUPPORT SUBASSEMBLY, GOVERNOR	1
E13-6	90001-0610-01	Not available-Pas disponible	BOLT	2
E13-15	16072-Z010110-0000	Not available-Pas disponible	BOLT, GOVERNOR SUPPORT	1
E13-16	90305-0600-31	Not available-Pas disponible	NUT	1