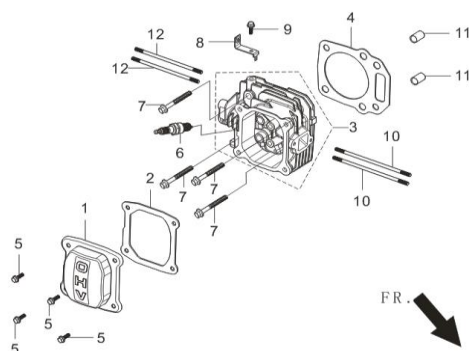


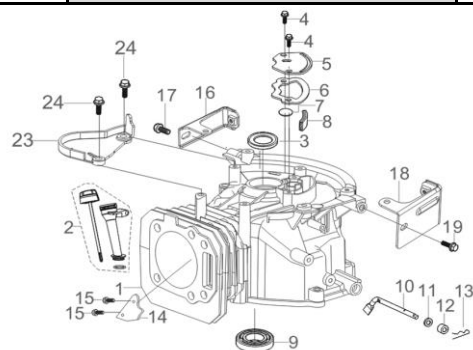
# Pubert engine RV225 Part list

## Moteur Pubert RV225 Pièces détachées

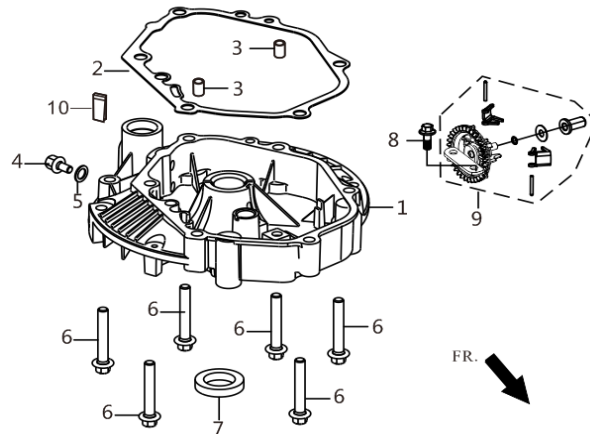
ref du document : 0330091010



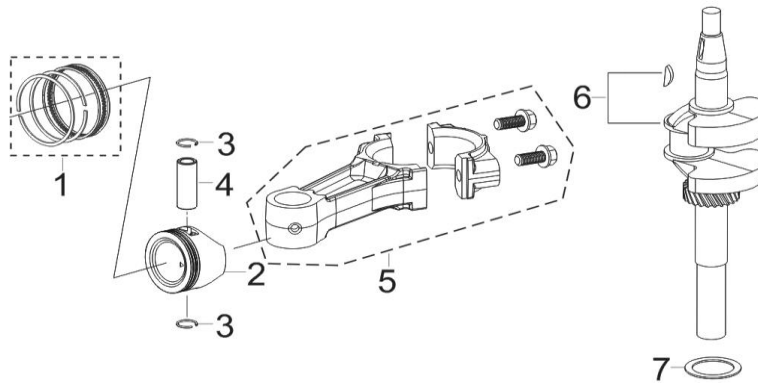
N°	Ref externe-External ref	PUBERT Reference	DESIGNATION - DESCRIPTION	QTY
E01-1	12411-Z030120-0000		COVER, CYLINDER HEAD	1
E01-2	12004-Z030110-0000	0001210302	GASKET, CYLINDER HEAD COVER	1
E01-3	12140-Z390120-0000		HEAD SUBASSEMBLY, CYLINDER	1
E01-4	12131-Z390110-0000	0001210301	GASKET, CYLINDER HEAD	1
E01-5	90007-0612-A1		BOLT	4
E01-6	30010-Z030310-0000		PLUG, SPARK	1
E01-7	12003-Z030110-0000		BOLT, CYLINDER HEAD	4
E01-8	18006-Z030110-0000	0001210316	BRACKET, MUFFLER SHIELD	1
E01-9	90007-0612-A1		BOLT	1
E01-10	90204-Z030110-0000		STUD	2
E01-11	90502-1014-00		PIN	2
E01-12	90204-Z250310-0000		STUD	2



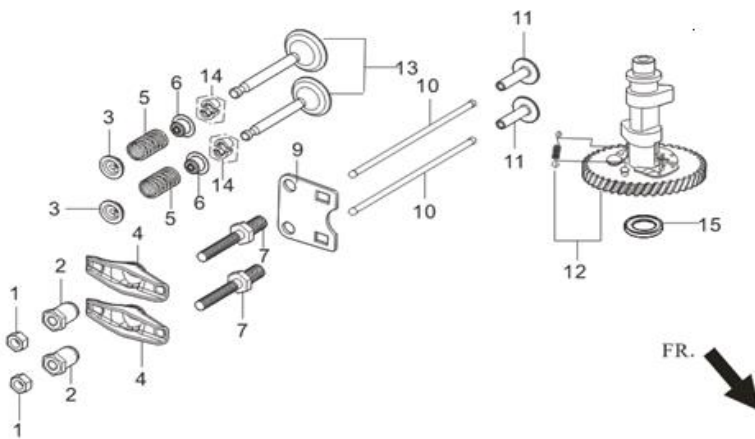
N°	Ref externe-External ref	PUBERT Reference	DESIGNATION - DESCRIPTION	QTY
E02-1	11310-Z390120-0000		CRANKCASE SUBASSEMBLY.	1
E02-2	15010-Z760110-Q231	0001210040	DIPSTICK SUBASSEMBLY, OIL	1
E02-3	90682-Z030120-0000	0001100036	SEAL, OIL	1
E02-4	90007-0612-A1		BOLT	2
E02-5	11333-Z250210-0000		PLATE, BREATH GROOVE COVER	1
E02-6	11332-Z250410-0000		GASKET, BREATH GROOVE	1
E02-7	11321-Z030110-0099		PIECE, BREATH	1
E02-8	11331-Z250110-0000		STRAINER, BREATH GROOVE	2
E02-9	90548-0205-CL	0001100124	BEARING	1
E02-10	16061-Z030120-0000		ARM, GOVERNOR	1
E02-11	90408-Z010210-0000		WASHER	1
E02-12	90682-Z030210-0000		SEAL, OIL	1
E02-13	90501-Z010110-0000		PIN	1
E02-14	11306-Z390110-0000		PLATE	1
E02-15	90001-0510-01		BOLT	2
E02-16	16608HZ470310-0000		BRACKET, FUEL TANK LEFT	1
E02-17	90007-0635-A1		BOLT	1
E02-18	16607HZ470110-0000		BRACKET, FUEL TANK RIGHT	1
E02-19	90007-0612-A1		BOLT	1
E02-23	19308-Z470110-0000		SHIELD, CRANKCASE SIDE	1
E02-24	90007-0628-A1		BOLT	2



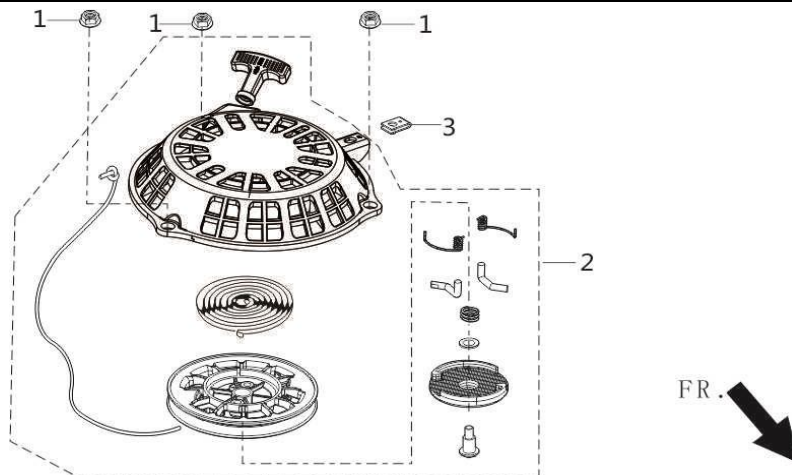
N°	Ref externe-External ref	PUBERT Reference	DESIGNATION - DESCRIPTION	QTY
E03-1	11411-Z470130-0000		COVER, CRANKCASE	1
E03-2	11001-Z390110-0000	<b>0001210337</b>	GASKET, CRANKCASE	1
E03-3	90502-0812-00		PIN	2
E03-4	11007-Z010110-0000		BOLT	1
E03-5	90408-Z010110-0000		WASHER	1
E03-6	90001-Z030310-0000		BOLT	6
E03-7	90682-Z470110-0000		SEAL, OIL	1
E03-8	90007-0612-A1		BOLT	2
E03-9	16400-Z470230-0000		GEAR ASSY, GOVERNOR	1
E03-10	11341-Z030110-0000		PAD	1



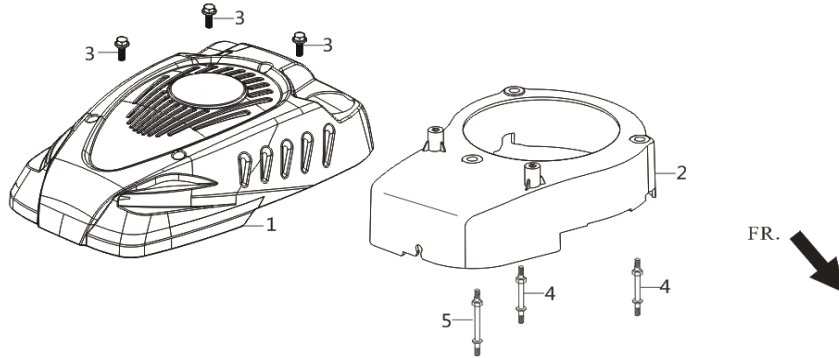
N°	Ref externe-External ref	PUBERT Reference	DESIGNATION - DESCRIPTION	QTY
E04-1	13200-Z140210-0099	<b>0001210343</b>	RING, THE FIRST	1
E04-2	13111-Z810120-0000	<b>0001210344</b>	PISTON	1
E04-3	13122-Z250110-0000		CLIP, PISTON PIN	2
E04-4	13121-Z810110-0000		PIN, PISTON	1
E04-5	13010-Z390110-0000	<b>0001210345</b>	ROD, CONNECTING	1
E04-6	13300-Z390510-0000	<b>0001210342</b>	CRANKSHAFT ASSY.	1
E04-7	90408-Z030210-0000		WASHER	1



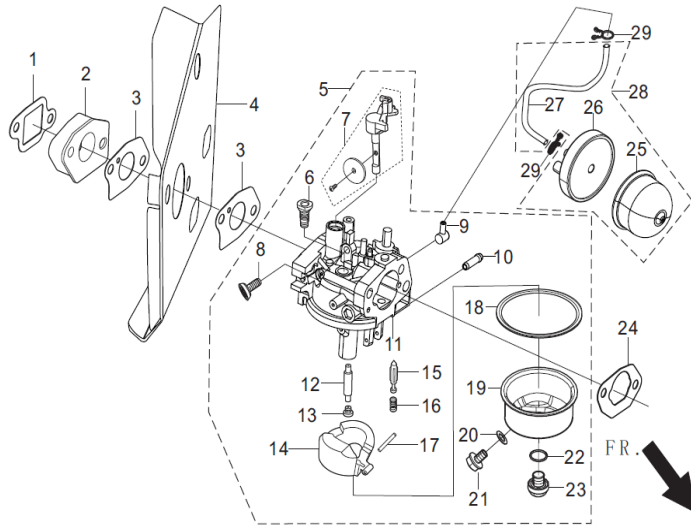
N°	Ref externe-External ref	PUBERT Reference	DESIGNATION - DESCRIPTION	QTY
E05-1	14312-Z010110-0000		NUT, VALVE LOCK	2
E05-2	14314-Z010110-0000		NUT, VALVE ADJUSTING	2
E05-3	12112-Z810110-0000		SEAT, VALVE SPRING	2
E05-4	14311-Z250110-0000		ROCKER, VALVE	2
E05-5	12103-Z030110-0000	<b>0001210320</b>	SPRING, VALVE	2
E05-6	12101-Z810210-0000		GUIDE, SEAL	2
E05-7	14313-Z010110-0000		BOLT, VALVE ADJUSTING	2
E05-9	14091-Z340110-0000		PLATE SUBASSEMBLY, LIFTER STOPPER	1
E05-10	14071-Z390110-0000		LIFTER, VALVE	2
E05-11	14081-Z250110-0000		TAPPET, VALVE	2
E05-12	14200-Z390210-0000		CAMSHAFT ASSY.	1
E05-13	12110-Z390110-0000		SET OF VALVE	1
E05-14	12109-Z810110-0000		CLIP, VALVE	4
E05-15	90408-Z470210-0000		WASHER	1



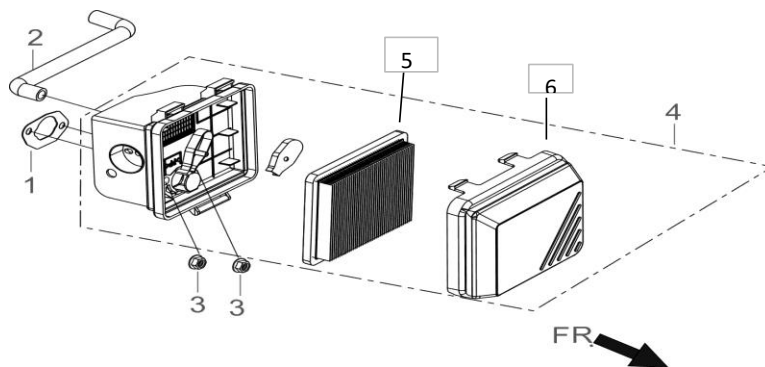
N°	Ref externe-External ref	PUBERT Reference	DESIGNATION - DESCRIPTION	QTY
E06-1	90305-0600-31		NUT	3
E06-2	28200-Z251710-Q200	<b>0001210027</b>	STARTER ASSY, RECOIL	1



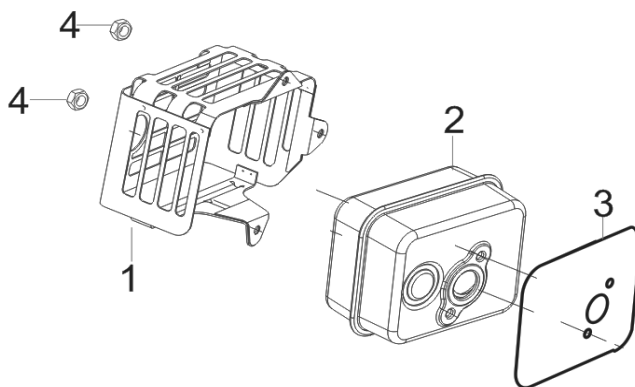
N°	Ref externe-External ref	PUBERT Reference	DESIGNATION - DESCRIPTION	QTY
E07-1	80001-Z030110-Q200	0001210030	HOUSING, ENGINE	1
E07-2	28110-Z390310-0000	0001210340	SHROUD	1
E07-3	90001-0514-01		BOLT	3
E07-4	28001-Z470210-0000	0001210341	STUD	2
E07-5	28001-Z470110-0000	0001210047	STUD	1



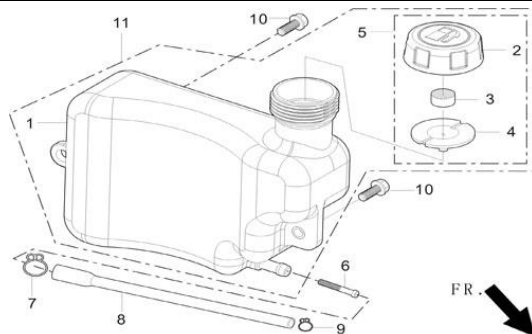
N°	Ref externe-External ref	PUBERT Reference	DESIGNATION - DESCRIPTION	QTY
E08-1	16004-Z030110-0000	0001210305	GASKET, INSULATOR PLATE	1
E08-2	16003-Z030110-0000	0001210306	PLATE, CARBURETOR INSULATOR	1
E08-3	16001-Z010110-0000	0001210307	GASKET, CARBURETOR	2
E08-4	16002-Z340410-0000	0001210308	GASKET, CARBURETOR INSULATOR	1
E08-5	16100-Z390610-0000	0001210334	CARBURETOR ASSY.	1
E08-24	17001-Z030120-0000	0001210309	GASKET, AIR CLEANER	1
E08-27	16211-Z250110-0000	0001210012	TUBE, STARTING RICHED VALVE	1
E08-28	16210-Z250120-0030	0001210041	VALVE, STARTING RICHED	1
E08-29	90685-0700-01		CLAMP	2



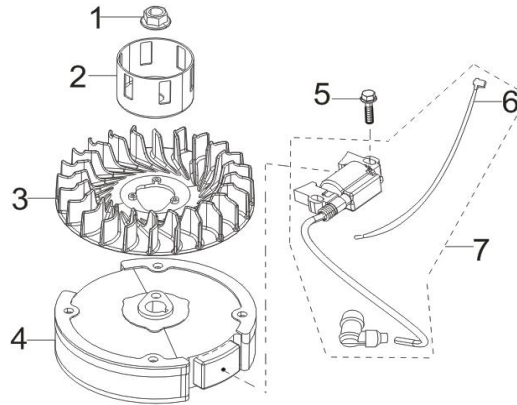
N°	Ref externe-External ref	PUBERT Reference	DESIGNATION - DESCRIPTION	QTY
E09-1	17001-Z030120-0000	0001210309	GASKET, AIR CLEANER	1
E09-2	17004-Z030310-0000	0001210323	TUBE, BREATHER	1
E09-3	90305-0600-31		NUT	1
E09-4	17100-Z250410-0000	0001210338	CASE, AIR CLEANER	1
E09-5	90305-0600-31	0001010013	ELEMENT	1
E09-6	1700-Z030210-0000	0001210338	COVER	1



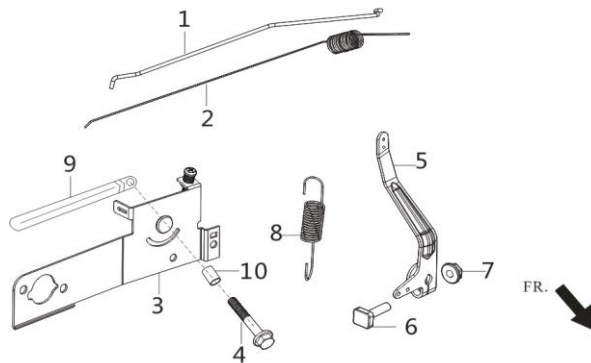
N°	Ref externe-External ref	PUBERT Reference	DESIGNATION - DESCRIPTION	QTY
E10-1	18130-Z390210-QB00	0001210339	COVER, MUFFLER OUTER	1
E10-2	18100-Z340210-QA01	0001210037	MUFFLER ASSY.	1
E10-3	18001-Z340210-0000		GASKET, EXHAUST	1
E10-4	90310-0600-31		BOLT	2



N°	Ref externe-External ref	PUBERT Reference	DESIGNATION - DESCRIPTION	QTY
E11-1	16600-Z030110-Q200	0001210028	TANK ASSY, FUEL	1
E11-5	16730-Z030110-0000	0001000233	Tank Cap	1
E11-6	16652-Z030110-0000	0001210315	STAINER, FUEL	1
E11-7	90685-Z030410-0000		CLIP	1
E11-8	90686-Z030310-0000	0001210322	TUBE, FUEL	1
E11-9	90685-Z030220-0000		COLLAR	1
E11-10	90007-0614-A1		BOLT, HEX. FLANG-LARGE SERIES-B CLASS	1



N°	Ref externe-External ref	PUBERT Reference	DESIGNATION - DESCRIPTION	QTY
E12-1	13501-Z010110-0000	<b>0001180029</b>	NUT, FLYWHEEL	1
E12-2	28002-Z020120-0000		PULLEY,STARTER	1
E12-3	19352-Z010110-0000		IMPELLER	1
E12-4	13510-Z340110-0000		FLYWHEEL SUBASSEMBLY	1
E12-5	90007-0628-A1		BOLT, HEX. FLANG-LARGE SERIES-B CLASS	1
E12-6	30423-Z340410-0000		switch-off wire	1
E12-7	30400-Z760110-0101	<b>0001210032</b>	COIL, IGNITION	1



N°	Ref externe-External ref	PUBERT Reference	DESIGNATION - DESCRIPTION	QTY
E13-1	16062-Z470110-0000	<b>0001210318</b>	ROD, GOUVERNEUR	1
E13-2	16012-Z470110-0000	<b>0001210336</b>	SPRING, THROTTLE	1
E13-3	16520-Z470210-0000	<b>0001210335</b>	CONTROL ASSY, THROTTLE	1
E13-4	90007-0640-A1		BOLT, HEX. FLANG-LARGE SERIES-B CLASS	1
E13-5	16070-Z030130-0000		SUPPORT SUBASSEMBLY, GOVERNOR	1
E13-6	16072-Z010110-0000		BOLT, GOVERNOR SUPPORT	1
E13-7	90305-0600-31		NUT, HEX. FLANGE	1
E13-8	16063-Z030120-0000	<b>0001210044</b>	SPRING, GOVERNOR	1
E13-9	90684-Z030120-0000		CLIP	1
E13-10	90683-Z340110-0000		BUSH	1