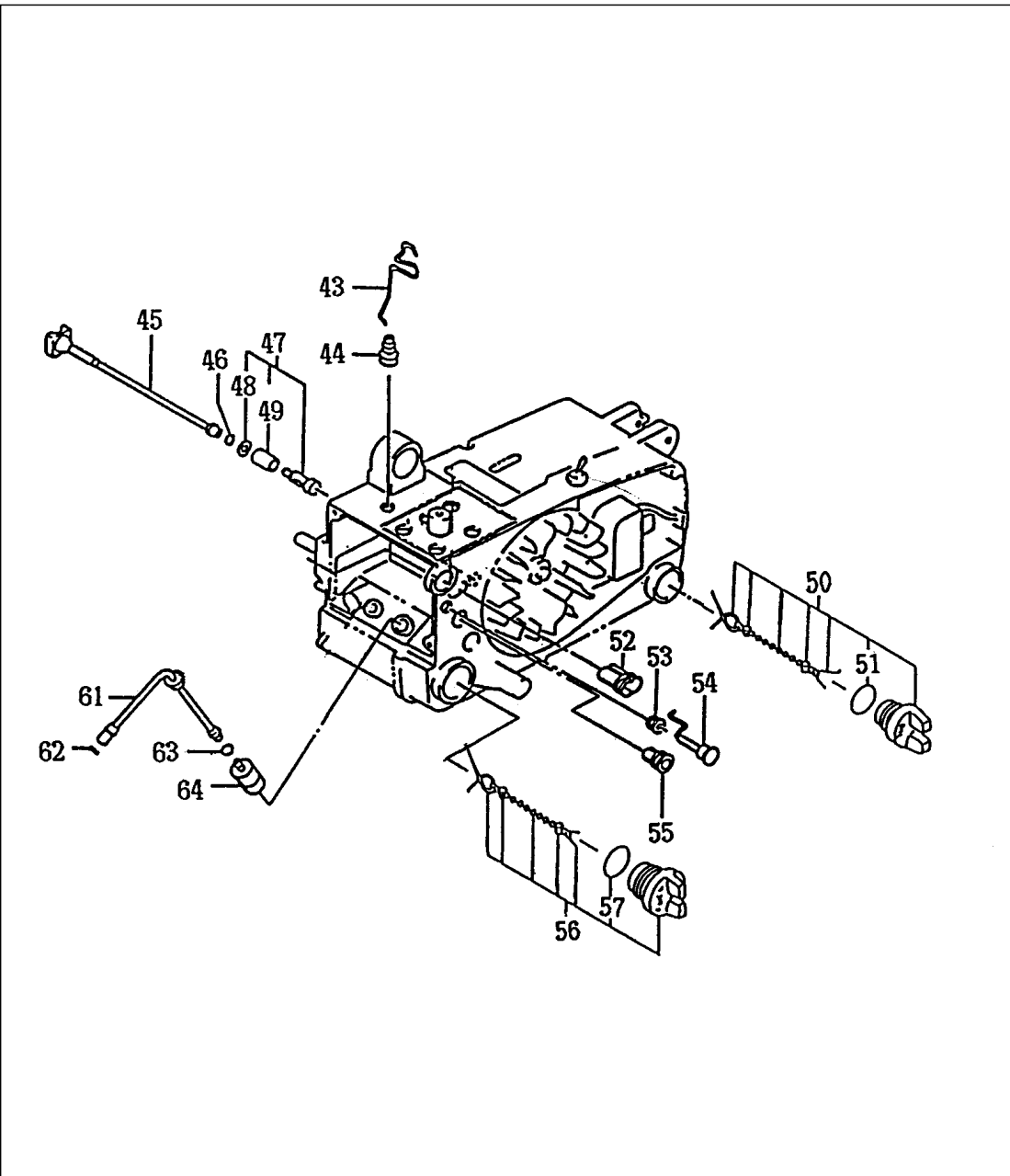


REP	DESIGNATION	CODE PIECE	CODE BAREME
1	Capot	TN00000010	P02
2	Bougie rcj-8	TN00001950	P21
3	Vis 5x16	TN00000040	P02
4	Cylindre	TN00000030	P42
5	Joint	TN00000050	P06
6	Piston	TN00000070	P36
7	Anneau	TN00000060	P17
8	Axe 9x30	TN00000080	P12
9	Circlip	TN00000090	P03
10	Mainivelle	TN00000100	P44
11	Cage a aiguilles	TN00000110	P20
12	Clavette	TN00000120	P05
13	Gaine isolante	TN00000360	P03
14	Cable	TN00000400	P12
15	Vis 4x18	TN00000230	P02
16	Plaque	TN00000240	P05
17	Allumage electique	TN00000250	P41
18	Valant cpl	TN00000190	P38
19	Cliquet	TN00000200	P07
20	Ressort	TN00000210	P07
21	Clips 4	TN00000220	P02

REP	DESIGNATION	CODE PIECE	CODE BAREME
22	Ecrou	TN00000160	P05
23	Rondelle 7	TN00000170	P02
24	Rondelle 7	TN00000180	P02
25	Joint	TN00000280	P12
26	Vis 5x20s	TN00000260	P02
27	Joint	TN00000290	P07
28	Roulement a bille 6201	TN00000300	P20
29	Joint 0,1	TN00000130	P03
30	Carte d'engrenage	TN00000270	P42
31	Roulement a bille 6201	TN00000300	P20
32	Axe	TN00000310	P03
33	Joint	TN00000280	P12
34	Cable	TN00000390	P12
35	Plaque	TN00000380	P04
36	Interrupteur coupe circuit	TN00000370	P15
37	Vis hex 5x20	TN00000350	P03
38	Valve	TN00000330	P12
39	Carter moteur	TN00001960	P45
40	Bouchon de reservoir	TN00000340	P13
41	Vis hex 5x20	TN00000350	P03

\* non illustré

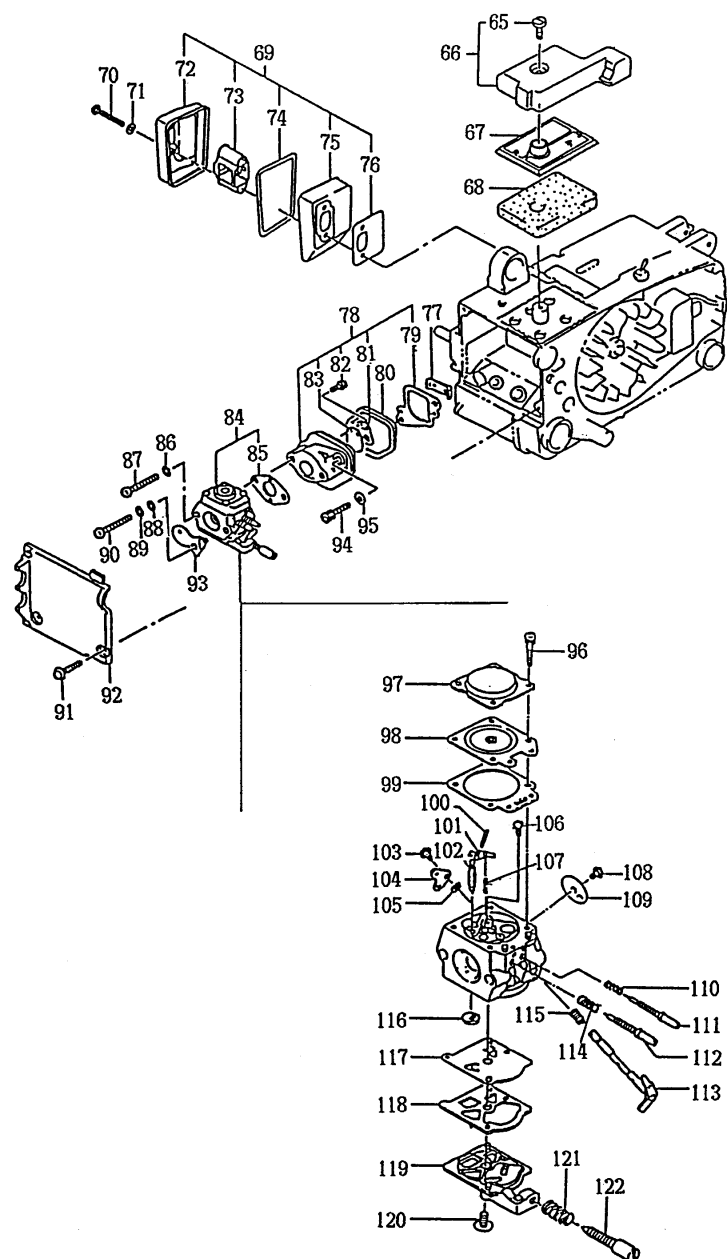


REP	DESIGNATION	CODE PIECE	CODE BAREME
43	Biellette	TN00000750	P15
44	Support	TN00000760	P07
45	Tuyau b	TN00000700	P17
46	Clips	TN00000710	P02
47	Filtre cpl	TN00000740	P12
48	Rondelle 5	TN00000460	P02
49	Filtre	TN00000730	P04
50	Bouchon de reservoir	TN00002060	P19
51	O ring p-18	TN00000840	P02
52	Capot	TN00000850	P07

REP	DESIGNATION	CODE PIECE	CODE BAREME
53	Caoutchouc	TN00000860	P04
54	Bouton	TN00000870	P13
55	Bouchon de reservoir	TN00002070	P19
56	O ring p-20	TN00000890	P03
57	Caoutchouc	TN00000790	P17
61	Caoutchouc	TN00000790	P17
62	Clips	TN00000710	P02
63	Clips	TN00000710	P02
64	Filtre cpl	TN00000800	P14

\* non illustré

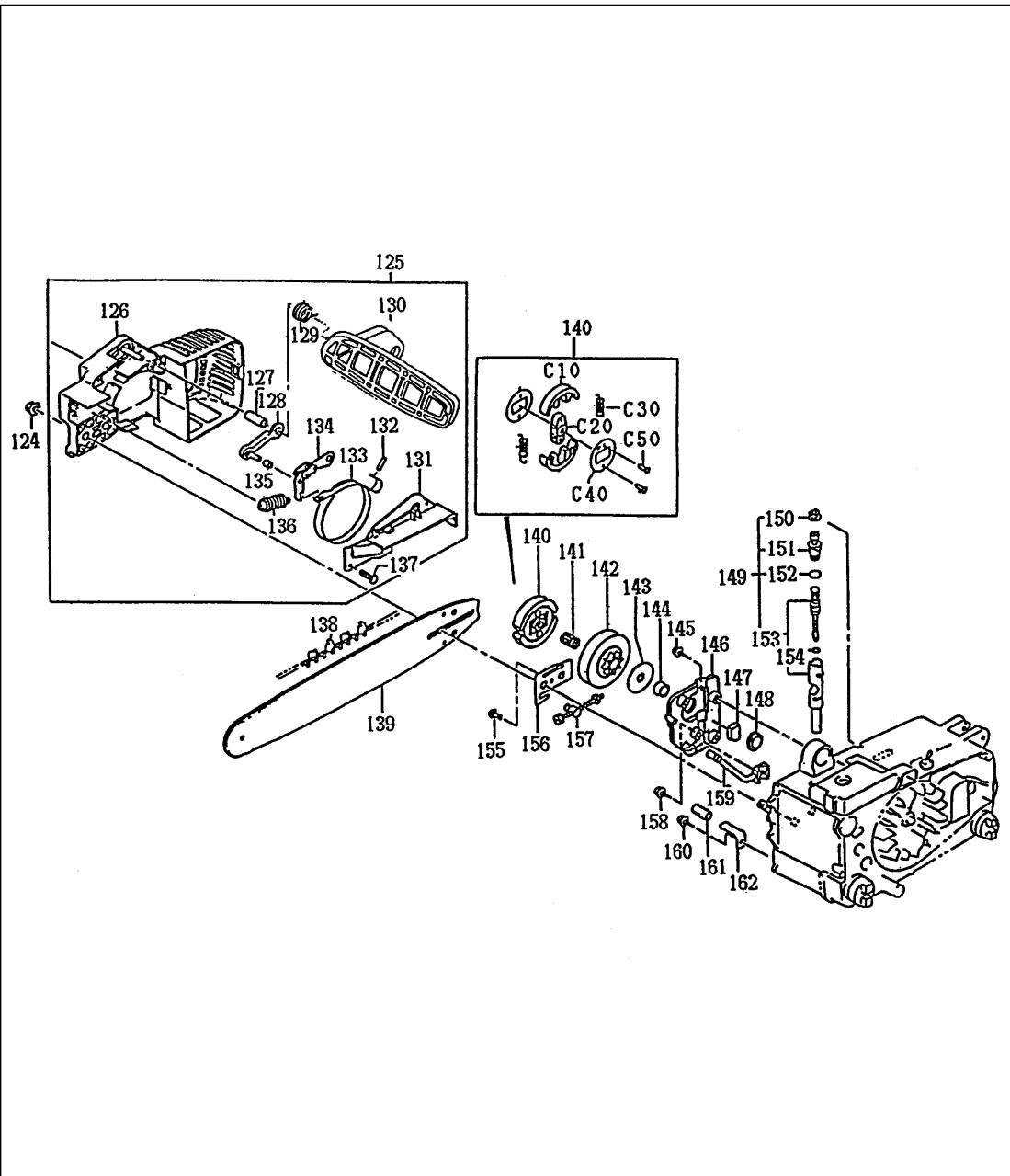
ED. 2000



REP	DESIGNATION	CODE PIECE	CODE BAREME
65	Vis	TN00000410	P02
66	Couvercle filtre air a	TN00001980	P16
67	Filtre a air	TN00000440	P15
68	Eponge filtre	TN00000430	P07
69	Pot d'echappement	TN00000610	P28
70	Vis 5x40	TN00000590	P02
71	Rondelle 5	TN00000460	P02
72	Couvercle filtre b	TN00000620	P22
73	Support	TN00000630	P15
74	Joint	TN00000640	P05
75	Couvercle filtre a	TN00000650	P20
76	Joint	TN00000660	P07
77	Joint	TN00000690	P07
78	Plaque isolation	TN00000530	P28
79	Joint	TN00000580	P07
80	Plaque isolation	TN00000570	P07
81	Support	TN00000550	P09
82	Vis 3x12	TN00000560	P02
83	Valve	TN00000540	P12
84	Carburateur cpl	TN00002280	P42
85	Joint	TN00000500	P07
86	Joint	TN00000470	P02
87	Vis 5x45s	TN00000450	P03
88	Joint	TN00000470	P02
89	Rondelle 5	TN00000460	P02
90	Vis 5x45s	TN00000450	P03
91	Vis 4,5x14	TN00001580	P02
92	Couvercle filtre air B	TN00002000	P20
93	Valve	TN00000480	P07

REP	DESIGNATION	CODE PIECE	CODE BAREME
94	Vis hex. 5 x 20 S	TN00000510	P03
95	Rondelle 5	TN00000520	P02
96	Vis	TN00001240	P
97	Couvercle membrane	TN00001120	P17
98	Joint	TN00001130	P23
99	Joint	TN00001140	P12
100	Aiguille	TN00001110	P06
101	Axe clapet	TN00001080	P12
102	Valve	TN00001150	P19
103	Vis	TN00001160	P06
104	Valet starter	TN00002120	P16
105	Circlip	TN00001260	P08
106	Vis	TN00001090	P08
107	Ressort	TN00001100	P07
108	Vis	TN00001160	P06
109	Valve	TN00001170	P11
110	Ressort B	TN00001070	P12
111	Vis de réglage B	TN00001060	P17
112	Vis de réglage H	TN00001220	P17
113	Axe clapet	TN00001190	P22
114	Ressort H	TN00001230	P12
115	Ressort	TN00001180	P12
116	Plaque	TN00001010	P07
117	Joint	TN00001050	P17
118	Joint	TN00001040	P09
119	Couvercle de pompe	TN00001020	P22
120	Vis	TN00001030	P06
121	Ressort	TN00001200	P07
122	Vis butée de ralenti	TN00001210	P10

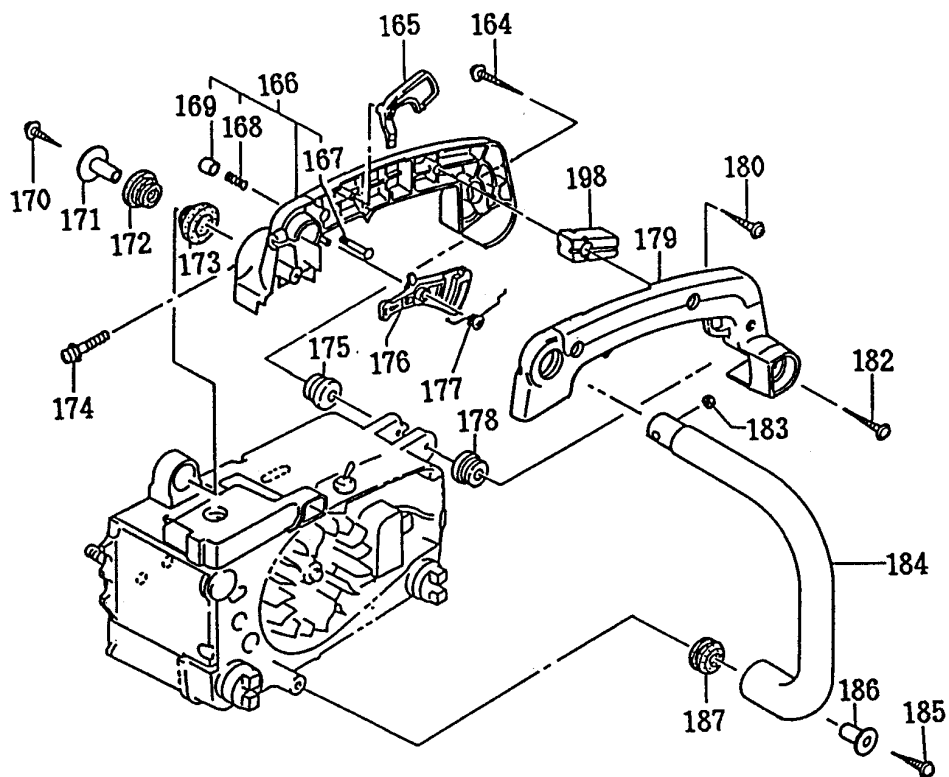
\* non illustré



REP	DESIGNATION	CODE PIECE	CODE BAREME
124	Ecrou	TN00001280	P16
125	Protège pignon	TN00002180	P41
126	Carter de vent.	TN00002200	P29
127	Coude	TN00001670	P07
128	Plaque	TN00001630	P15
129	Ressort	TN00001700	P12
130	Protège main	TN00001600	P24
131	Couvercle	TN00002190	P13
132	Axe 3 x 9,8	TN00001640	P12
133	Frein	TN00001660	P27
134	Support de frein	TN00001650	P24
135	Collier 7	TN00001680	P02
136	Ressort de frein	TN00001620	P12
137	Vis réglage H & B	TN00001710	P02
138	Chaîne 330 mm	P-20046	A24
139	Guide étoile 250 mm	00165214-9	A27
140	Embrayage	TN00001290	P36
141	Cage à aiguilles	TN00001300	P17
142	Carter d'embrayage	TN00001310	P30
143	Rondelle 2,0	TN00001320	P09

REP	DESIGNATION	CODE PIECE	CODE BAREME
144	Collier 7,7	TN00001530	P15
145	Vis 5 x 14 WS	TN00001330	P02
146	Couvercle de pompe	TN00001340	P17
147	Vent. d'air	TN00001370	P03
148	Pignon	TN00001360	P26
149	Pompe à huile	TN00001380	P32
150	Vis	TN00001390	P03
151	Régulage de pompe	TN00001400	P15
152	O'ring P-6	TN00001410	P02
153	Carter de pompe	TN00001420	P30
154	O'ring P-6	TN00001410	P02
155	Vis réglage H & B 4 x 10	TN00001490	P02
156	Plaque	TN00001500	P07
157	Vis de tension	TN00002150	P13
158	Vis 4,5 x 14	TN00001580	P02
159	Tuyau de huile A	TN00001350	P17
160	Vis 5 x 14	TN00000920	P03
161	Tuyau	TN00001540	P02
162	Arrêt de chaîne	TN00001550	P07

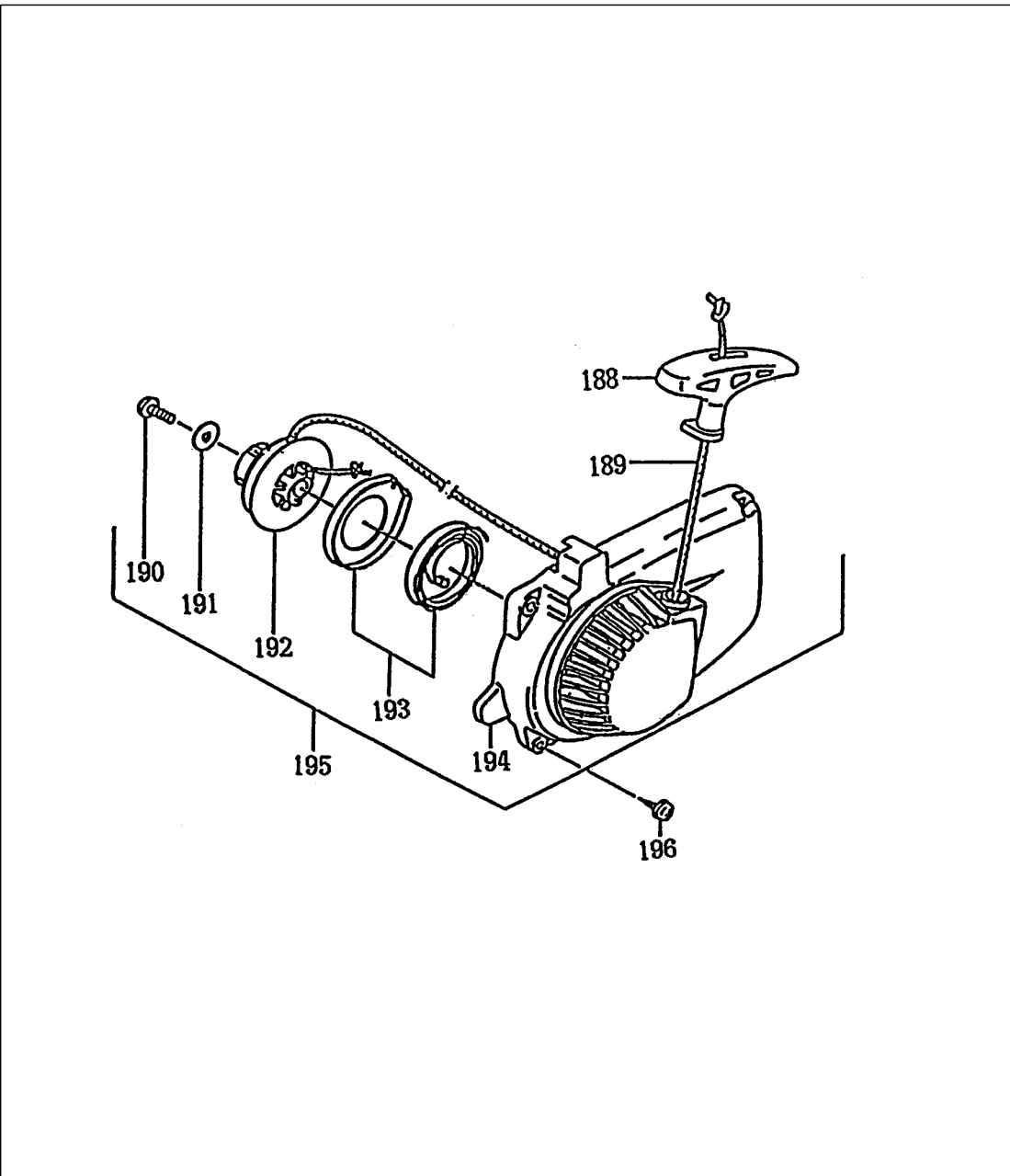
\* non illustré



REP	DESIGNATION	CODE PIECE	CODE BAREME
164	Vis 5 x 14	TN00000920	P03
165	Levier de sécurité	TN00001820	P11
166	Poignée d'arrière B	TN00001780	P28
167	Vis	TN00001810	P07
168	Ressort	TN00001800	P02
169	Capot	TN00001790	P03
170	Vis 5 x 40	TN00001730	P03
171	Collier A	TN00001740	P07
172	Douille caoutchouc A	TN00001750	P07
173	Douille caoutchouc A	TN00001750	P07
174	Vis 4 x 30 PS	TN00001760	P02
175	Douille caoutchouc CPL	TN00002250	P18

REP	DESIGNATION	CODE PIECE	CODE BAREME
176	Levier d'accélération	TN00001830	P11
177	Ressort	TN00001840	P09
178	Douille caoutchouc CPL	TN00002250	P18
179	Poignée d'arrière A	TN00001850	P26
180	Vis réglage H & B	TN00001710	P02
182	Vis 5 x 14	TN00000920	P03
183	Ecrou nylon 4	TN00001720	P02
184	Poignée tubulaire	TN00001880	P28
185	Vis 5 x 35	TN00001860	P03
186	Collier B	TN00001900	P07
187	Douille caoutchouc B	TN00001890	P07

\* non illustré



REP	DESIGNATION	CODE PIECE	CODE BAREME
188	Poignée de lancement	TN00000970	P12
189	Câble de démarrage 3 x 90	TN00000950	P12
190	Vis 5 x 14	TN00000920	P03
191	Rondelle 1,6	TN00000930	P02
192	Tamb. de câble	TN00000940	P20

REP	DESIGNATION	CODE PIECE	CODE BAREME
193	Ressort de rappel CPL	TN00000960	P22
194	Bobine de démarrage	TN00000980	P29
195	Dispos. de démarrage CPL	TN00002080	P39
196	Vis 4,5 x 20	TN00000990	P03

\* non illustré