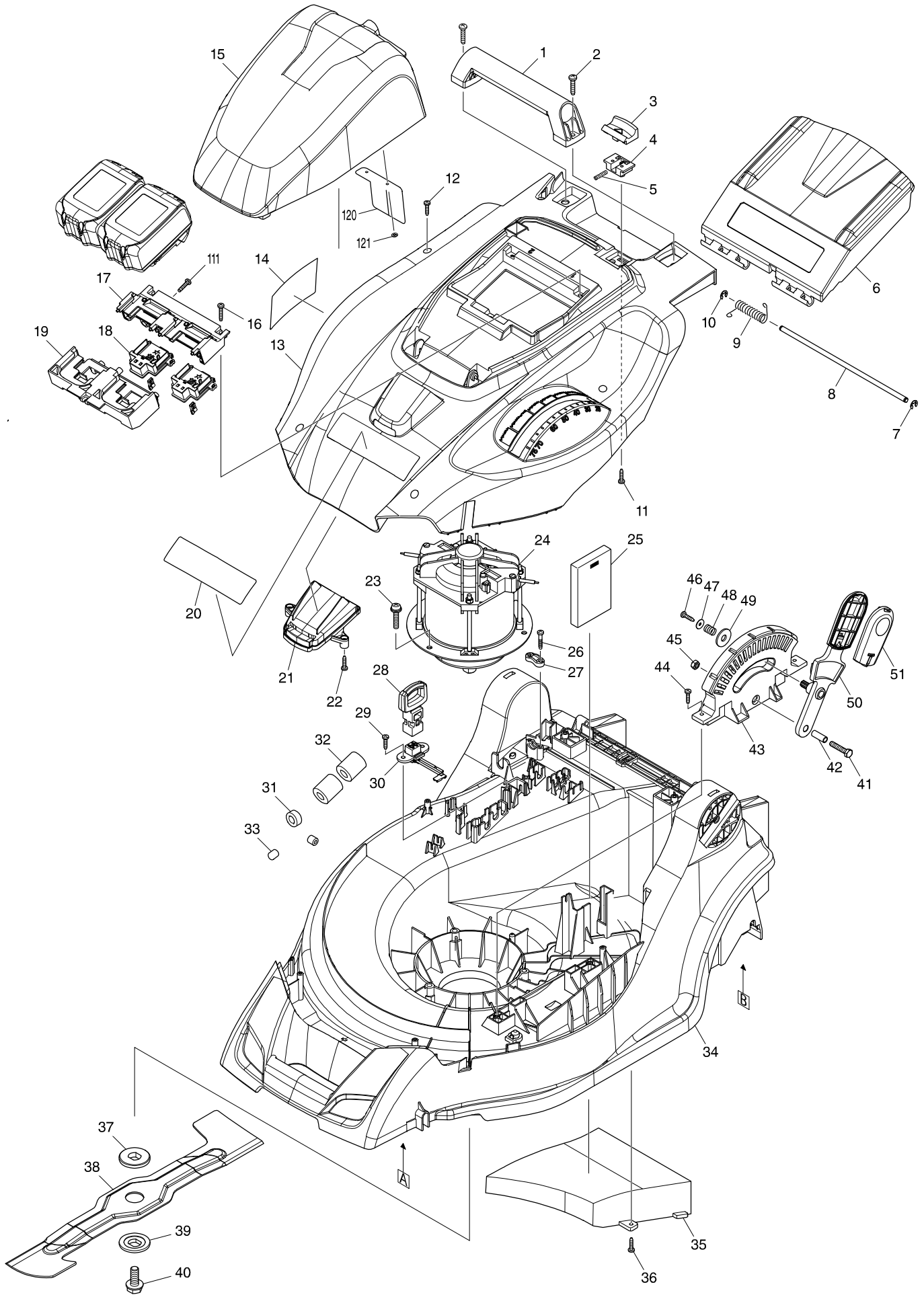
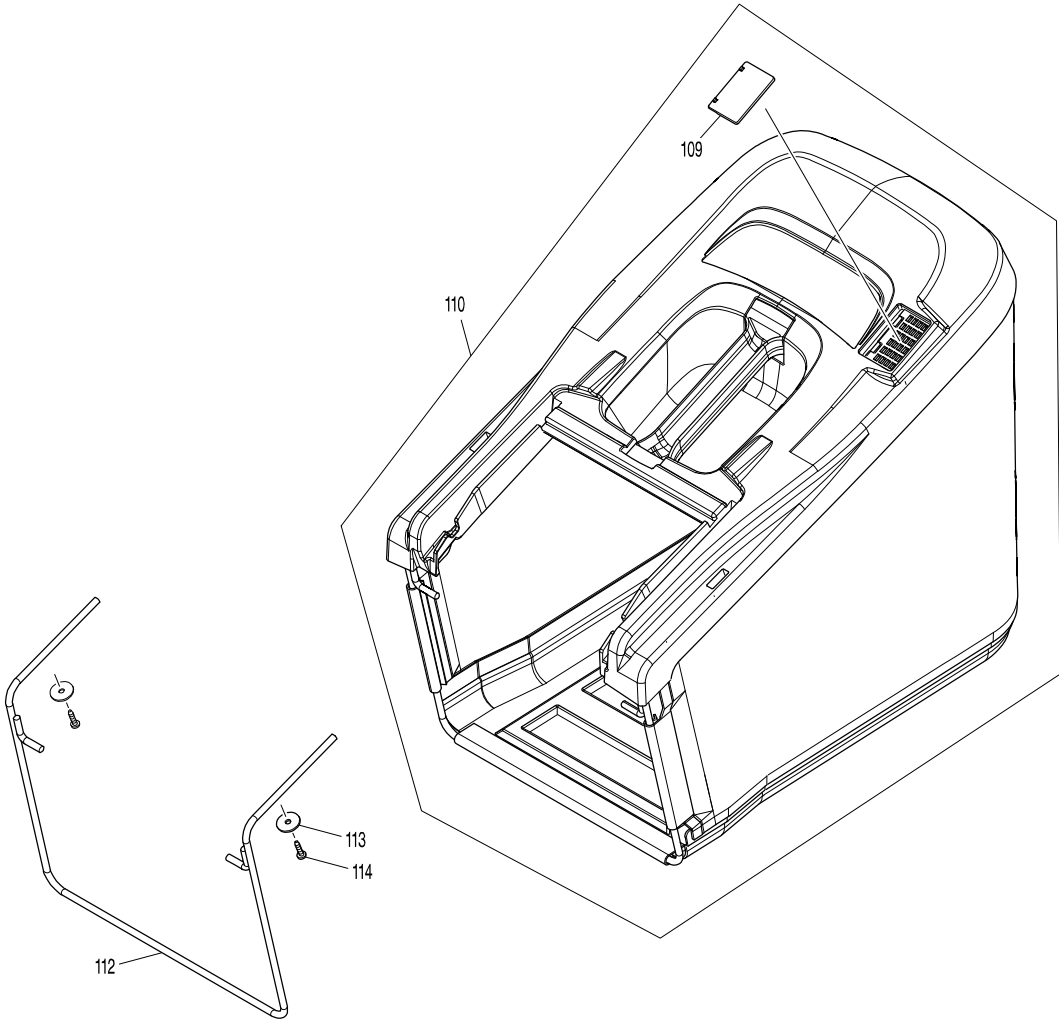


Numéro du modèle DLM431 430MM CORDLESS LAWN MOWER





Position	Référence pièce	Description	Echelle	QTE	N/O	Option 1	Option 2	COMMENTAIRE
001	273675-0	GRIP A		1		P5		
002	266459-3	TAPPING SCREW 5X25		2		P1		
003	453250-0	LOCK LEVER		1		P2		
004	453251-8	LOCK LEVER SUPPORT		1		P1		
005	233173-6	COMPRESSION SPRING 4		1		P1		
006	141300-0	REAR FLAP COMPLETE		1		P13		
C10	890375-3	CAUTION LABEL		1		P1		
007	961018-5	STOP RING E-5		1		P1		
008	256871-5	ROD 6		1		P3		
009	233597-6	TORSION SPRING 8		1		P1		
010	961018-5	STOP RING E-5		1		P1		
011	266326-2	TAPPING SCREW 4X18		2		P2		
012	266326-2	TAPPING SCREW 4X18		4		P2		
013	456347-4	COWLING M		1				
014	851P60-9	DLM431 NAME PLATE		1				
015	143506-6	BATTERY COVER COMPLETE E		1				
C10	890380-0	CAUTION LABEL		1		P1		
D10		INC. 120,121						
016	266326-2	TAPPING SCREW 4X18		3		P2		
017	187926-4	TERMINAL HOUSING SET		1				
C10	263005-3	RUBBER PIN 6		4		P2		
D10		INC. 19						
018	644808-8	TERMINAL		2		P5		
019	187926-4	TERMINAL HOUSING SET		1				
C10	263005-3	RUBBER PIN 6		4		P2		
D10		INC. 17						
020	890383-4	MAKITA LOGO LABEL		1		P1		
021	453258-4	COWLING COVER		1		P4		
022	266326-2	TAPPING SCREW 4X18		2		P2		
023	266774-5	+ PAN HEAD SCREW M6X30 WITH WR		3		P1		
024	629177-8	DC MOTOR		1				
025	620479-5	CONTROLLER		1				
026	265999-8	TAPPING SCREW 4X25		2		P1		
027	687149-9	STRAIN RELIEF		1		P1		
028	643890-4	KEY		1		P4		
029	266326-2	TAPPING SCREW 4X18		2		P2		
030	632F82-6	LEAD UNIT		1				
031	688131-1	LINE FILTER		1		P1		
032	688140-0	LINE FILTER		2		P7		
033	688164-6	LINE FILTER		2		P1		
034	456346-6	DECK		1				
035	453239-8	UNDER COVER		1		P6		
036	266326-2	TAPPING SCREW 4X18		3		P2		
037	224444-2	INNER FLANGE 40		1		P5		
038	196060-9	BLADE 430 SET		1	*	P20		
038-1	197762-0	BLADE 430 SET	<	1				
039	224445-0	OUTER FLANGE 40		1		P6		
040	266731-3	HEX. BOLT M10X25		1		P1		

Position	Référence pièce	Description	Echelle	QTE	N/O	Option 1	Option 2	COMMENTAIRE
041	921352-5	HEX. BOLT M6X30		1		P1		
042	257670-8	SLEEVE 6		1		P1		
043	453255-0	ADJUST PLATE		1		P8		
044	266326-2	TAPPING SCREW 4X18		2		P2		
045	931302-2	HEX. NUT M6		1		P3		
046	266326-2	TAPPING SCREW 4X18		1		P2		
047	267102-7	FLAT WASHER 4		1		P1		
048	231297-2	COMPRESSION SPRING 9		1		P2		
049	253808-3	FLAT WASHER 9		1		P1		
050	453252-6	CHANGE LEVER		1		P5		
051	453253-4	CHANGE LEVER COVER		1		P3		
052	453241-1	REAR WHEEL CAP		1		P13		
053	252145-2	COLLARED HEX NUT M8		1		P1		
054	214067-4	PLANE BEARING 10		1		P1		
055	453243-7	REAR WHEEL		1		P16		
056	210070-3	BALL BEARING 6200ZZ		1		P3		
057	165669-8	REAR SHAFT		1		P19		
058	210070-3	BALL BEARING 6200ZZ		1		P3		
059	453243-7	REAR WHEEL		1		P16		
060	214067-4	PLANE BEARING 10		1		P1		
061	252145-2	COLLARED HEX NUT M8		1		P1		
062	453241-1	REAR WHEEL CAP		1		P13		
063	266326-2	TAPPING SCREW 4X18		2		P2		
064	346545-7	PLATE		2		P1		
065	252103-8	HEX. LOCK NUT M5-8		1		P2		
066	941101-4	FLAT WASHER 5		1		P1		
067	346543-1	CONNECTING ROD		1		P64		
068	231875-8	TENSION SPRING 16		1		P2		
069	941101-4	FLAT WASHER 5		1		P1		
070	252103-8	HEX. LOCK NUT M5-8		1		P2		
071	453240-3	FRONT WHEEL CAP		1		P12		
072	252145-2	COLLARED HEX NUT M8		1		P1		
073	214067-4	PLANE BEARING 10		1		P1		
074	453242-9	FRONT WHEEL		1		P14		
075	210070-3	BALL BEARING 6200ZZ		1		P3		
076	165668-0	FRONT SHAFT		1		P19		
077	266326-2	TAPPING SCREW 4X18		5		P2		
078	456353-9	FRONT COVER		1				
079	210070-3	BALL BEARING 6200ZZ		1		P3		
080	453242-9	FRONT WHEEL		1		P14		
081	214067-4	PLANE BEARING 10		1		P1		
082	252145-2	COLLARED HEX NUT M8		1		P1		
083	453240-3	FRONT WHEEL CAP		1		P12		
084	326636-0	SWITCH LEVER		1				
085	456351-3	SWITCH LEVER CASE		1				
086	456352-1	SWITCH LEVER CASE COVER		1				
087	266326-2	TAPPING SCREW 4X18		1		P2		
088	266326-2	TAPPING SCREW 4X18		4		P2		

Position	Référence pièce	Description	Echelle	QTE	N/O	Option 1	Option 2	COMMENTAIRE
089	143508-2	SWITCH BOX COVER COMPLETE K		1				
C10	890374-5	INDICATION LABEL		1		P1		
090	911138-5	PAN HEAD SCREW M4X20		1		P1		
091	455075-8	LEVER		1				
092	231876-6	TENSION SPRING 9		1		P1		
093	455074-0	SWITCH BUTTON		1				
094	233068-3	COMPRESSION SPRING 6		1		P1		
095	650730-9	SWITCH TG72BD-6		1				
096	456349-0	SWITCH BOX		1				
097	687149-9	STRAIN RELIEF		1		P1		
098	265999-8	TAPPING SCREW 4X25		2		P1		
099	143510-5	UPPER PIPE COMPLETE		1				
100	660330-7	POWER SUPPLY CORD		1				
101	265A14-4	CUP H. SQUARE NECK BOLT M6X50		1				
102	264070-5	THUMB NUT M6		1		P3		
103	264070-5	THUMB NUT M6		1		P3		
104	265A14-4	CUP H. SQUARE NECK BOLT M6X50		1				
105	326635-2	LOWER PIPE		1				
106	456354-7	HOLDER		2				
107	266729-0	THUMB SCREW M8X35		1		P4		
108	266729-0	THUMB SCREW M8X35		1		P4		
109	456355-5	INDICATOR M		1				
110	123524-0	REAR BAG ASS'Y M		1				
D10		INC. 109						
111	266326-2	TAPPING SCREW 4X18		3		P2		
112	326118-2	REAR BAG ROD		1		P17		
113	267438-4	FLAT WASHER 5		2		P1		
114	266326-2	TAPPING SCREW 4X18		2		P2		
120	424824-4	RUBBER SHEET		1				
121	259015-6	STOP RING CS-3		2		P1		
122	911138-5	PAN HEAD SCREW M4X20		1		P1		
123	455078-2	ARM		1				
124	143505-8	LED CIRCUIT COMPLETE		1				
A01	782210-8	SOCKET WRENCH 17		1		A10		
A02C	***DC18RD	DC18RD TWO PORT FAST CHARGER		1				
D10		COMPO-PARTS						
A03C	197280-8	BATTERY BL1850B SET		2				