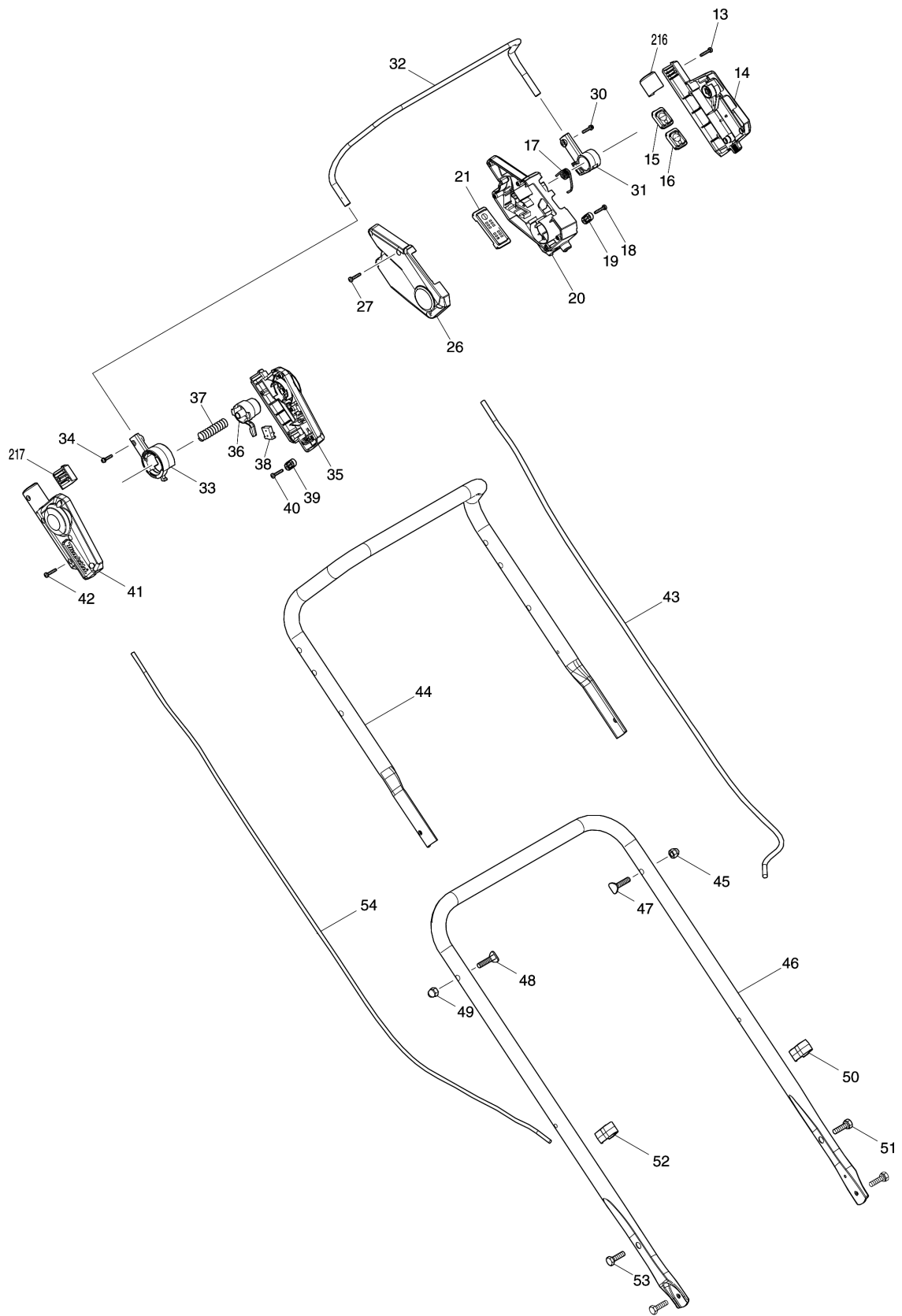
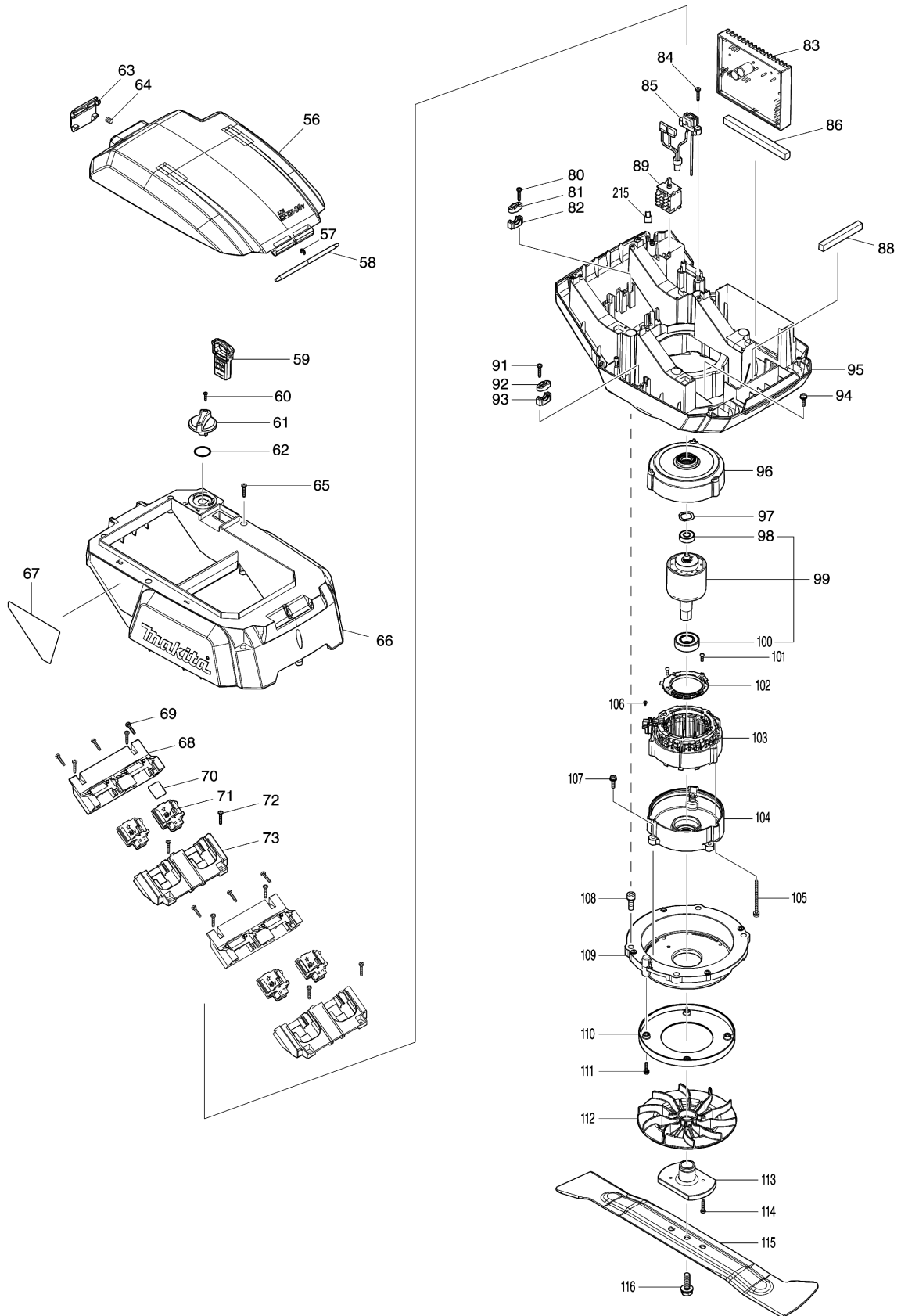


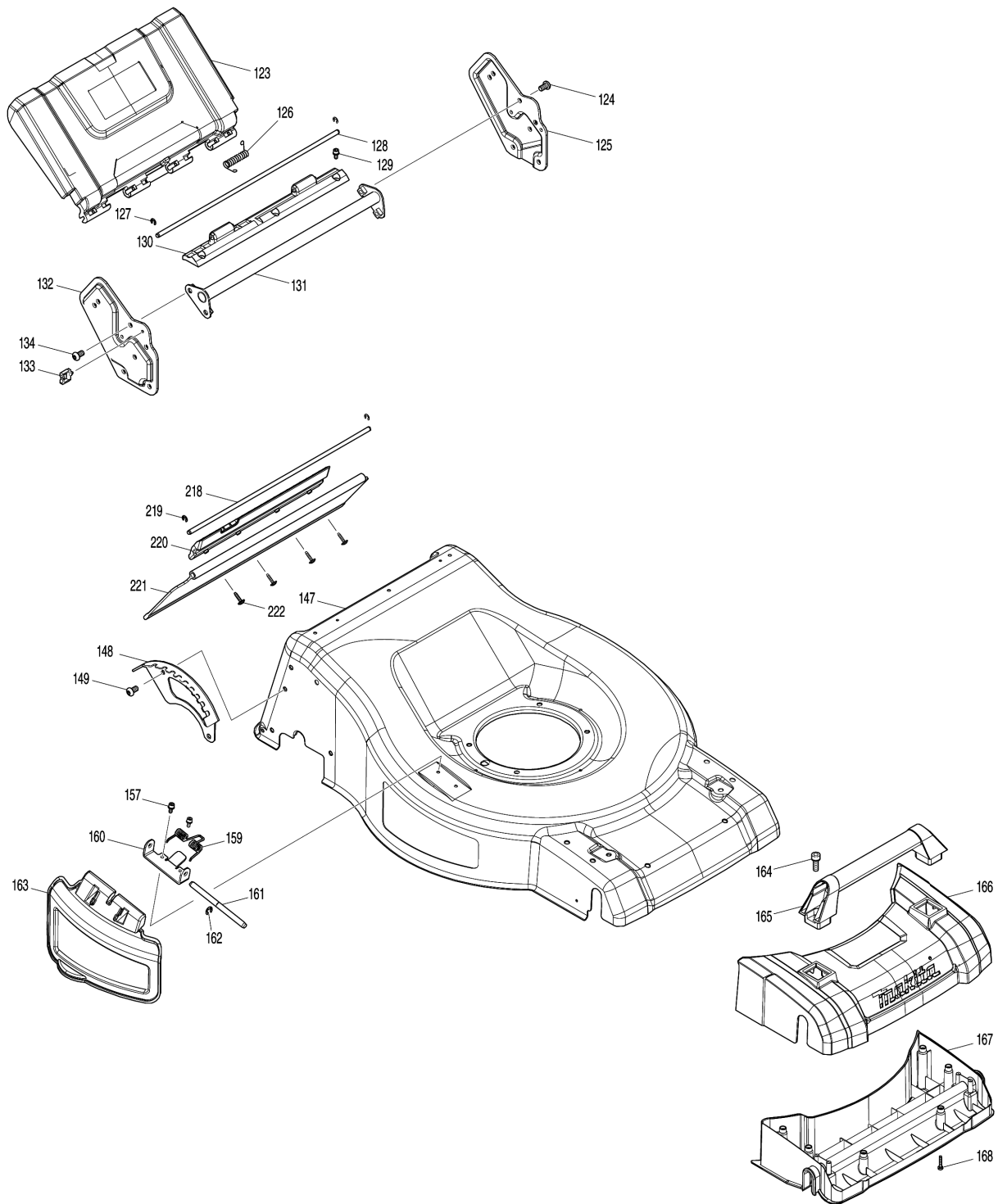
Model No.DLM530 460MM CORDLESS LAWN MOWER



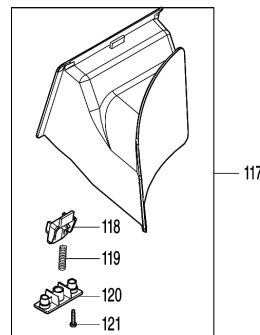
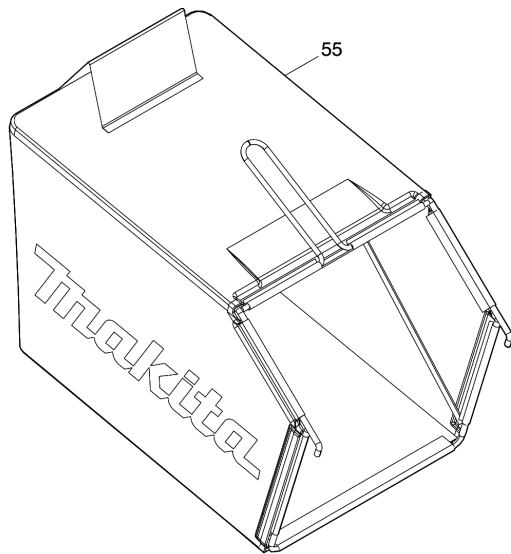
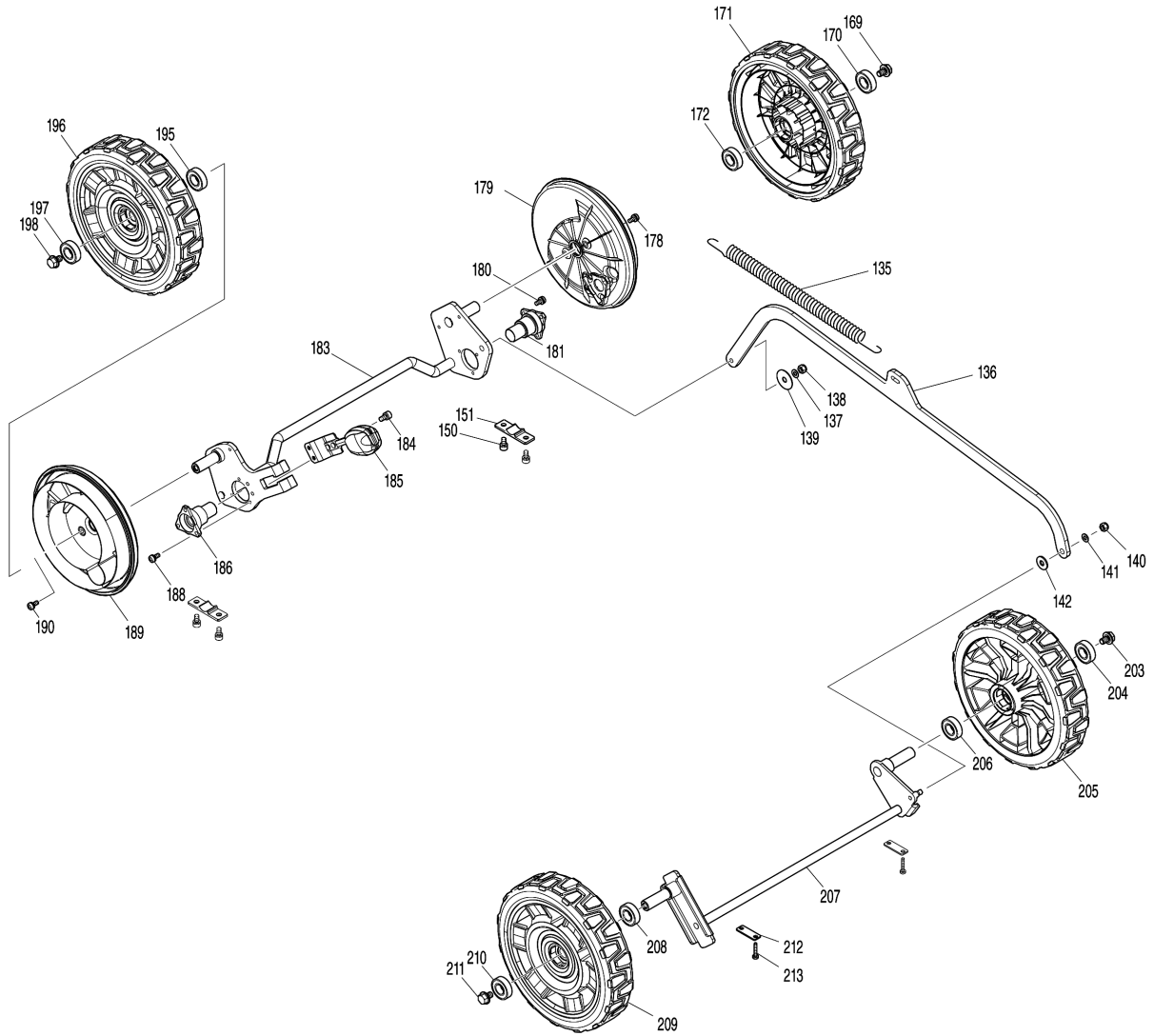
Model No.DLM530 460MM CORDLESS LAWN MOWER



Model No.DLM530 460MM CORDLESS LAWN MOWER



Model No.DLM530 460MM CORDLESS LAWN MOWER



## Model No.DLM530 460MM CORDLESS LAWN MOWER

Position	Référence pièce	Description	Echange	QTE	New/Old	Option 1	Option 2	COMMENTAIRE
013	266424-2	TAPPING SCREW 4X20		6		0	P1	
014	183N81-4	SWITCH BOX SET		1				
D10		INC. 26						
015	140F09-7	SWITCH CIRCUIT COMPLETE		1				
C10	810D46-0	SWITCH LABEL		1				
016	140F10-2	SWITCH CIRCUIT COMPLETE		1				
C10	818A74-1	SWITCH LABEL		1				
017	232575-3	TORSION SPRING 12		1				
018	266424-2	TAPPING SCREW 4X20		2		0	P1	
019	687124-5	STRAIN RELIEF		1		0	P1	
020	459908-9	SWITCH BOX		1				
021	620C48-0	INDICATION CIRCUIT COMPLETE		1				
C10	8007C8-5	INDICATION LABEL		1				
026	183N81-4	SWITCH BOX SET		1				
D10		INC. 14						
027	266424-2	TAPPING SCREW 4X20		5		0	P1	
030	911138-5	PAN HEAD SCREW M4X20		1		0	P1	
031	459863-5	SWITCH LEVER SUPPORT L		1				
C10	931102-0	HEX. NUT M4		1		0	P1	
032	327424-8	SWITCH LEVER		1				
033	459856-2	SWITCH LEVER SUPPORT R		1				
C10	931102-0	HEX. NUT M4		1		0	P1	
034	911138-5	PAN HEAD SCREW M4X20		1		0	P1	
035	183P40-0	LEVER BOX SET		1				
C10	8007C6-9	INDICATION LABEL		1				
D10		INC. 41						
036	459857-0	LOCK OFF BUTTON		1				
037	231227-3	COMPRESSION SPRING 15		1		65	P2	
038	632E26-0	SWITCH UNIT		1			P16	
039	687124-5	STRAIN RELIEF		1		0	P1	
040	266424-2	TAPPING SCREW 4X20		2		0	P1	
041	183P40-0	LEVER BOX SET		1				
C10	8007C6-9	INDICATION LABEL		1				
D10		INC. 35						
042	266424-2	TAPPING SCREW 4X20		6		0	P1	
043	699144-7	POWER SUPPLY CORD UNIT		1				
044	327421-4	HANDLE UPPER		1				
045	252278-3	HEX. CAP NUT M8		1				
046	327422-2	HANDLE LOWER		1				
047	265A62-3	FLAT HEAD BOLT M8X38		1				
048	265A62-3	FLAT HEAD BOLT M8X38		1				
049	252278-3	HEX. CAP NUT M8		1				
050	459905-5	CLAMP		1				
051	921451-3	HEX. BOLT M8X30		2		65	P2	

Please order the parts with part number.

Print Date 28/5/2020

## Model No.DLM530 460MM CORDLESS LAWN MOWER

Position	Référence pièce	Description	Echange	QTE	New/Old	Option 1	Option 2	COMMENTAIRE
052	459905-5	CLAMP		1				
053	921451-3	HEX. BOLT M8X30		2		65	P2	
054	699142-1	POWER SUPPLY CORD UNIT		1				
055	127412-3	GRASS CATCHER ASSEMBLY		1				
056	140S03-7	BATTERY COVER COMPLETE		1				
C10	890380-0	CAUTION LABEL		1		0	P1	
057	961018-5	STOP RING E-5		1		0	P1	
058	327536-7	ROD 6		1				
059	643535-4	KEY		1				
060	266404-8	TAPPING SCREW BIND 3X14		1		0	P1	
061	459851-2	SWITCH LEVER		1				
062	213896-2	O-RING 24		1				
063	459852-0	LOCK LEVER		1				
064	231037-8	COMPRESSION SPRING 7		1		65	P2	
065	266424-2	TAPPING SCREW 4X20		7		0	P1	
066	459847-3	COWLING UPPER		1				
067	856P83-2	DLM530 NAME PLATE		1				
068	183N78-3	TERMINAL HOUSING SET		2				
C10	263005-3	RUBBER PIN 6		8		65	P2	
D10		INC. 73						
069	266424-2	TAPPING SCREW 4X20		6		0	P1	
070	856P90-5	DLM530 SERIAL NO. LABEL		1				
071	644809-6	TERMINAL		4				
072	266424-2	TAPPING SCREW 4X20		8		0	P1	
073	183N78-3	TERMINAL HOUSING SET		2				
C10	263005-3	RUBBER PIN 6		8		65	P2	
D10		INC. 68						
080	266424-2	TAPPING SCREW 4X20		2		0	P1	
081	687124-5	STRAIN RELIEF		1		0	P1	
082	687051-6	STRAIN RELIEF		1		0	P3	
083	620C46-4	CONTROLLER		1				
084	266424-2	TAPPING SCREW 4X20		2		0	P1	
085	632P74-5	LEAD UNIT		1				
086	422529-0	SPONGE B		1				
088	422528-2	SPONGE A		1				
089	651444-3	SWITCH 1703.4703		1				
091	266424-2	TAPPING SCREW 4X20		2		0	P1	
092	687124-5	STRAIN RELIEF		1		0	P1	
093	687051-6	STRAIN RELIEF		1		0	P3	
094	911233-1	PAN HEAD SCREW M5X20		4		0	P1	
095	459848-1	COWLING LOWER		1				
096	319869-4	MOTOR HOUSING UPPER		1				
097	253455-0	WAVE WASHER 19		1				
098	210141-6	BALL BEARING 6000DDW		1			P99	

Please order the parts with part number.

Print Date 28/5/2020

## Model No.DLM530 460MM CORDLESS LAWN MOWER

Position	Référence pièce	Description	Echange	QTE	New/Old	Option 1	Option 2	COMMENTAIRE
099	519606-8	ROTOR ASS'Y		1				
D10		INC. 98,100						
100	211387-7	BALL BEARING 6004LLU		1		2	P9	
101	265B29-7	TAPPING SCREW PT 2X8		2				
102	620B88-2	CONTROLLER B		1				
103	629465-3	STATOR		1				
104	319870-9	MOTOR HOUSING LOWER		1				
105	911691-1	PAN HEAD SCREW M5X70		3		0	P3	
106	652031-1	PAN HEAD SCREW M3X6		3				
107	911233-1	PAN HEAD SCREW M5X20		4		0	P1	
108	922441-9	HEX. SOCKET HEAD BOLT M8X25		4		65	P2	
109	319867-8	MOTOR BRACKET		1				
110	459853-8	BAFFLE PLATE		1				
111	911126-2	PAN HEAD SCREW M4X16		4		0	P1	
112	240205-2	FAN 170		1				
113	319868-6	BLADE SUPPORT		1				
114	266424-2	TAPPING SCREW 4X20		2		0	P1	
115	191D52-7	BLADE 530 SET		1				
116	265A69-9	HEX. BOLT M10X35 WITH WG		1				
117	127516-1	MULCHING PLUG ASSEMBLY		1				
D10		INC. 118-121						
118	459884-7	LOCK LEVER		1				
119	231401-3	COMPRESSION SPRING 7		1		2	P8	
120	459885-5	LOCK LEVER SUPPORT		1				
121	266424-2	TAPPING SCREW 4X20		2		0	P1	
123	140R96-8	REAR FLAP COMPLETE		1				
C10	8007P8-6	CAUTION LABEL		1				
124	265B20-5	HEX.SOCKET BUTTON HEAD BOLT M8		4				
125	347579-3	HANDLE BRACKET L		1				
126	233597-6	TORSION SPRING 8		1		0	P1	
127	961018-5	STOP RING E-5		2		0	P1	
128	327418-3	ROD 6		1				
129	922213-2	H.S.H.BOLT M5X12 WITH WR		3		0	P1	
130	459877-4	REAR FLAP HOLDER PLATE		1				
131	162692-4	REAR GRIP		1				
132	347578-5	HANDLE BRACKET R		1				
133	451825-9	CLAMP		1		0	P1	
134	265B20-5	HEX.SOCKET BUTTON HEAD BOLT M8		4				
135	232628-8	TENSION SPRING 16		1				
136	347580-8	CONNECTING ROD		1				
137	941151-9	FLAT WASHER 6		1		0	P1	
138	252014-7	HEX. LOCK NUT M6-10		1		65	P2	
139	267216-2	FLAT WASHER 8		1		0	P1	

Please order the parts with part number.

Print Date 28/5/2020

## Model No.DLM530 460MM CORDLESS LAWN MOWER

Position	Référence pièce	Description	Echange	QTE	New/Old	Option 1	Option 2	COMMENTAIRE
140	252014-7	HEX. LOCK NUT M6-10		1		65	P2	
141	941151-9	FLAT WASHER 6		1		0	P1	
142	253762-1	FLAT WASHER 8		1		0	P3	
147	347591-3	DECK		1				
148	347582-4	HEIGHT ADJUST PLATE		1				
149	265B20-5	HEX.SOCKET BUTTON HEAD BOLT M8		2				
150	922311-2	HEX. SOCKET HEAD BOLT M6X12		4		0	P1	
151	313290-9	REAR SHAFT HOLDER COVER		2				
157	922213-2	H.S.H.BOLT M5X12 WITH WR		2		0	P1	
159	232567-2	TORSION SPRING 9		1				
160	347584-0	SIDE DISCHARGE PLATE		1				
161	327420-6	ROD 8		1				
162	961013-5	STOP RING E-7		1		0	P1	
163	459886-3	SIDE DISCHARGE COVER		1				
164	922441-9	HEX. SOCKET HEAD BOLT M8X25		2		65	P2	
165	459870-8	FRONT GRIP		1				
166	459871-6	FRONT COVER		1				
167	459872-4	DECK UNDER COVER		1				
168	266424-2	TAPPING SCREW 4X20		6		0	P1	
169	265324-3	HEX. FLANGE HEAD BOLT M8X12		1		1	P5	
170	211247-3	BALL BEARING 6002DDW		1		0	P3	
171	127513-7	REAR WHEEL ASSEMBLY		1				
172	211247-3	BALL BEARING 6002DDW		1		0	P3	
178	911213-7	PAN HEAD SCREW M5X12		2		0	P1	
179	459867-7	WHEEL CAP		1				
180	911213-7	PAN HEAD SCREW M5X12		3		0	P1	
181	327435-3	REAR SHAFT HOLDER		1				
183	162689-3	REAR SHAFT		1				
184	922311-2	HEX. SOCKET HEAD BOLT M6X12		2		0	P1	
185	162694-0	HEIGHT ADJUST LEVER COMPLETE		1				
186	327435-3	REAR SHAFT HOLDER		1				
188	911213-7	PAN HEAD SCREW M5X12		3		0	P1	
189	459867-7	WHEEL CAP		1				
190	911213-7	PAN HEAD SCREW M5X12		2		0	P1	
195	211247-3	BALL BEARING 6002DDW		1		0	P3	
196	127513-7	REAR WHEEL ASSEMBLY		1				
197	211247-3	BALL BEARING 6002DDW		1		0	P3	
198	265324-3	HEX. FLANGE HEAD BOLT M8X12		1		1	P5	
203	265324-3	HEX. FLANGE HEAD BOLT M8X12		1		1	P5	
204	211247-3	BALL BEARING 6002DDW		1		0	P3	

Please order the parts with part number.

Print Date 28/5/2020



## Model No.DLM530 460MM CORDLESS LAWN MOWER

Position	Référence pièce	Description	Echange	QTE	New/Old	Option 1	Option 2	COMMENTAIRE
205	127514-5	FRONT WHEEL ASSEMBLY		1				
206	211247-3	BALL BEARING 6002DDW		1		0	P3	
207	162688-5	FRONT SHAFT		1				
208	211247-3	BALL BEARING 6002DDW		1		0	P3	
209	127514-5	FRONT WHEEL ASSEMBLY		1				
210	211247-3	BALL BEARING 6002DDW		1		0	P3	
211	265324-3	HEX. FLANGE HEAD BOLT M8X12		1		1	P5	
212	341462-6	PLATE		2		65	P2	
213	266424-2	TAPPING SCREW 4X20		4		0	P1	
215	422533-9	GROMMET		1				
216	459907-1	HANDLE COVER		1				
217	459907-1	HANDLE COVER		1				
A01	327589-6	ROD 6		1				
A02	782210-8	SOCKET WRENCH 17		1		2	A10	
A03	782212-4	SOCKET WRENCH 13		1		2	A4	
A04	459887-1	SIDE DISCHARGE MOUTH		1				
A05B	***DC18RD	DC18RD TWO PORT FAST CHARGER		1				
D10		COMPO-PARTS						
A06B	197280-8	BATTERY BL1850B SET		4			A45	
E01	8018P2-7	SOUND 93DB LABEL		1				

Please order the parts with part number.

Print Date 28/5/2020