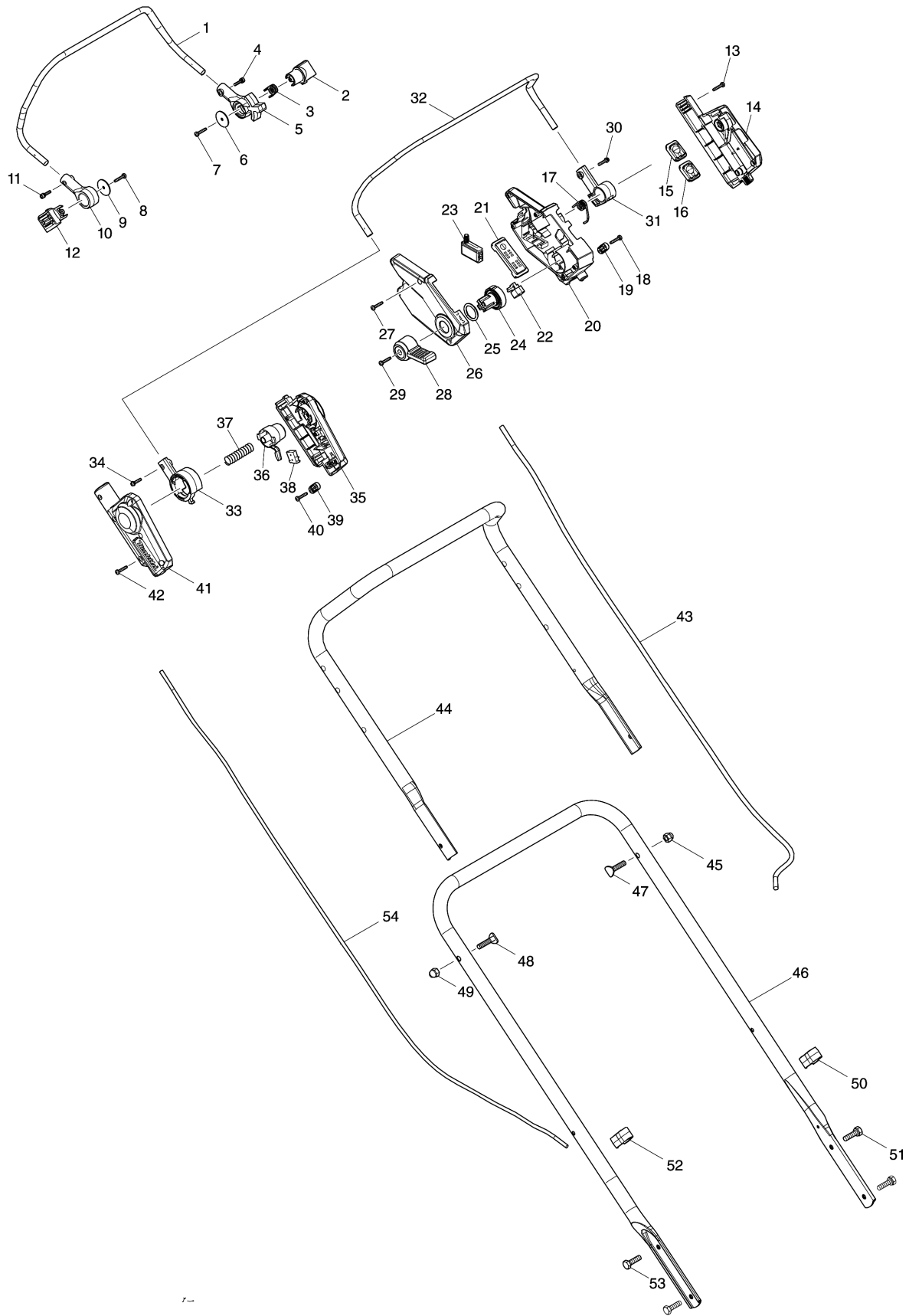
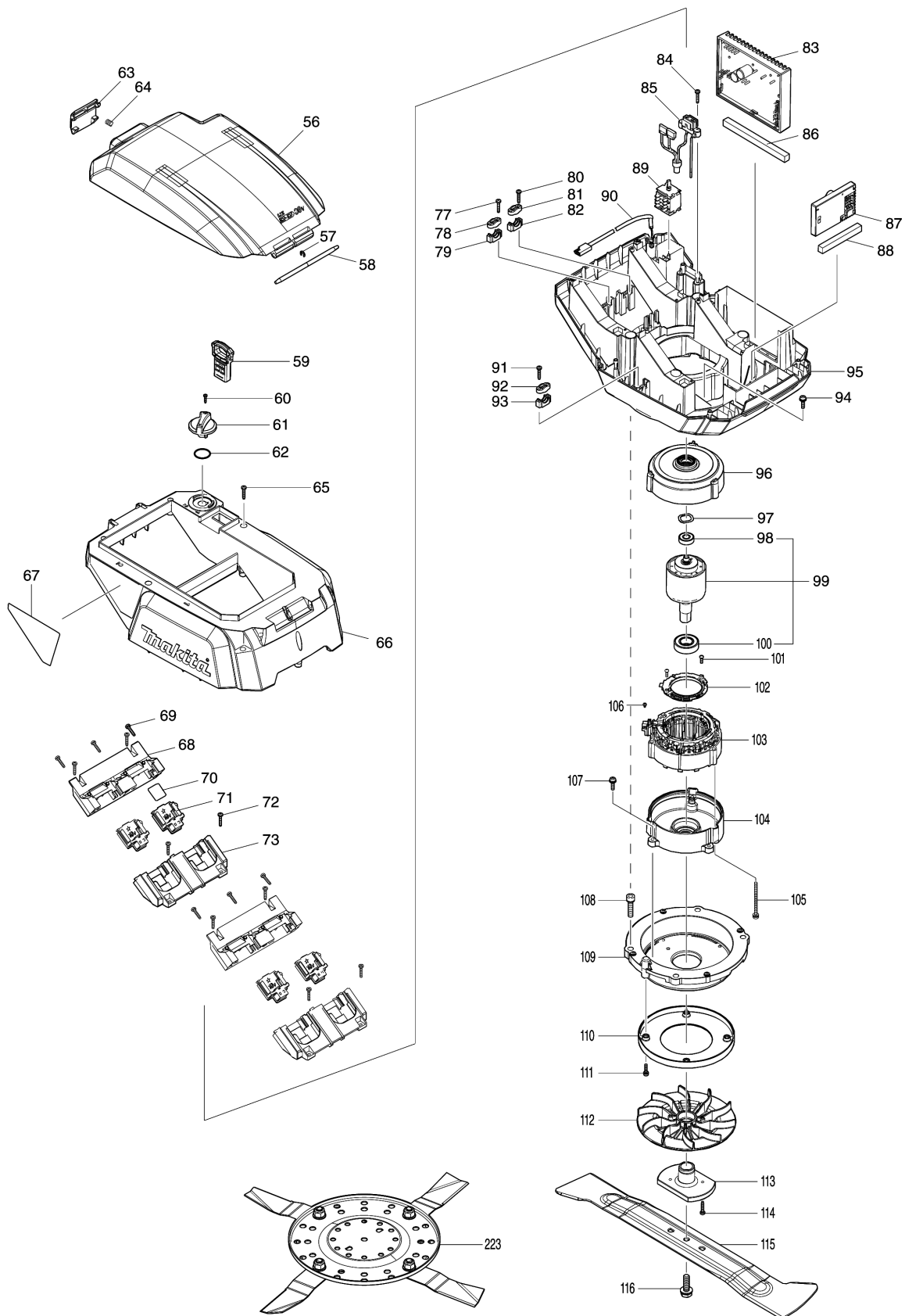


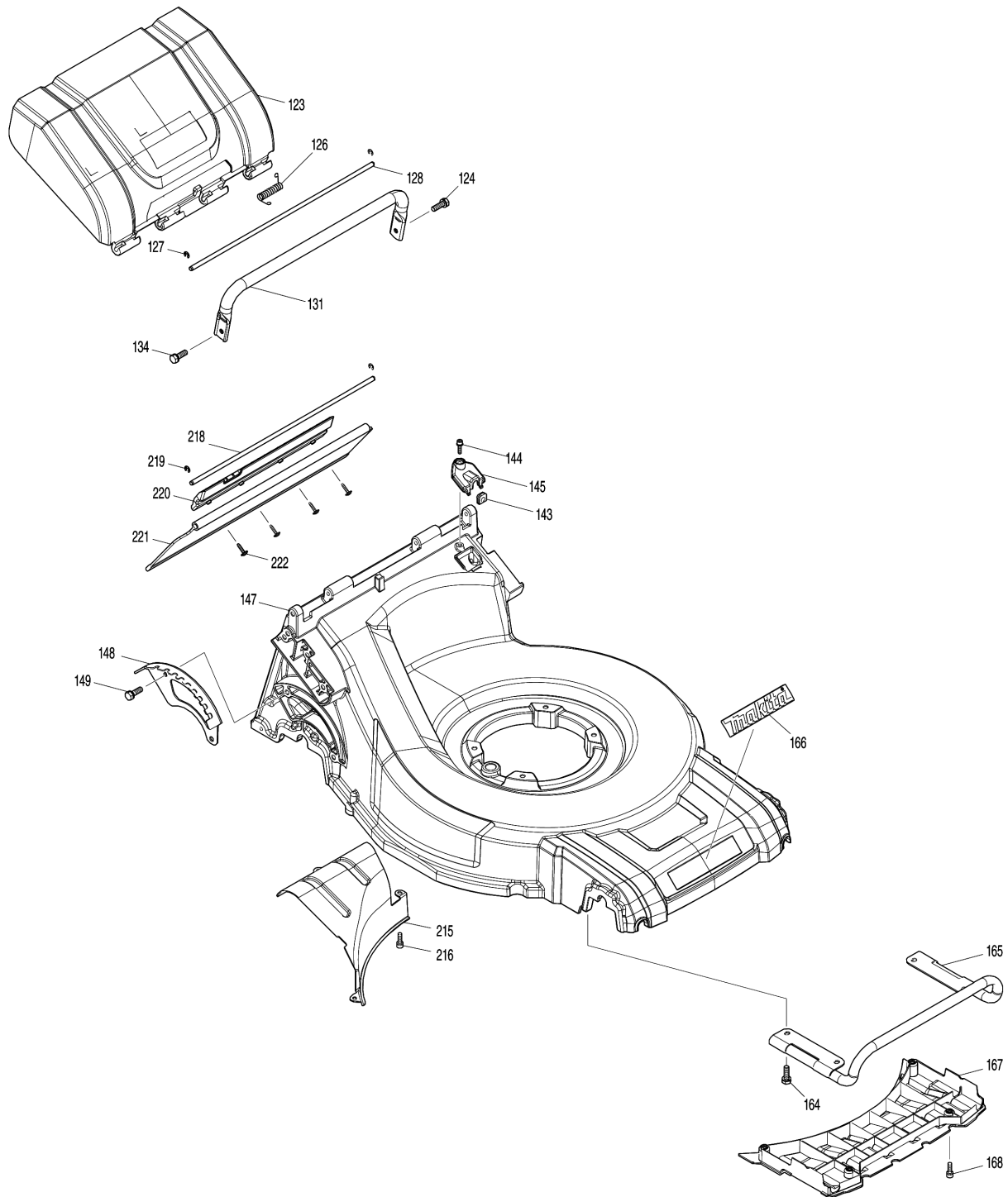
Model No.DLM533 530MM CORDLESS LAWN MOWER



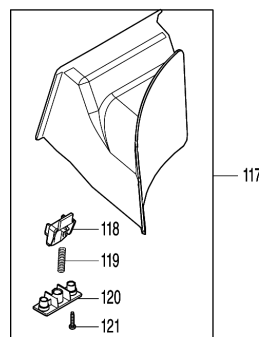
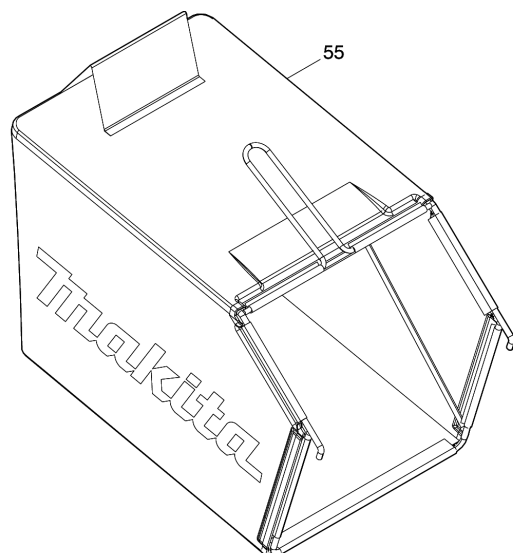
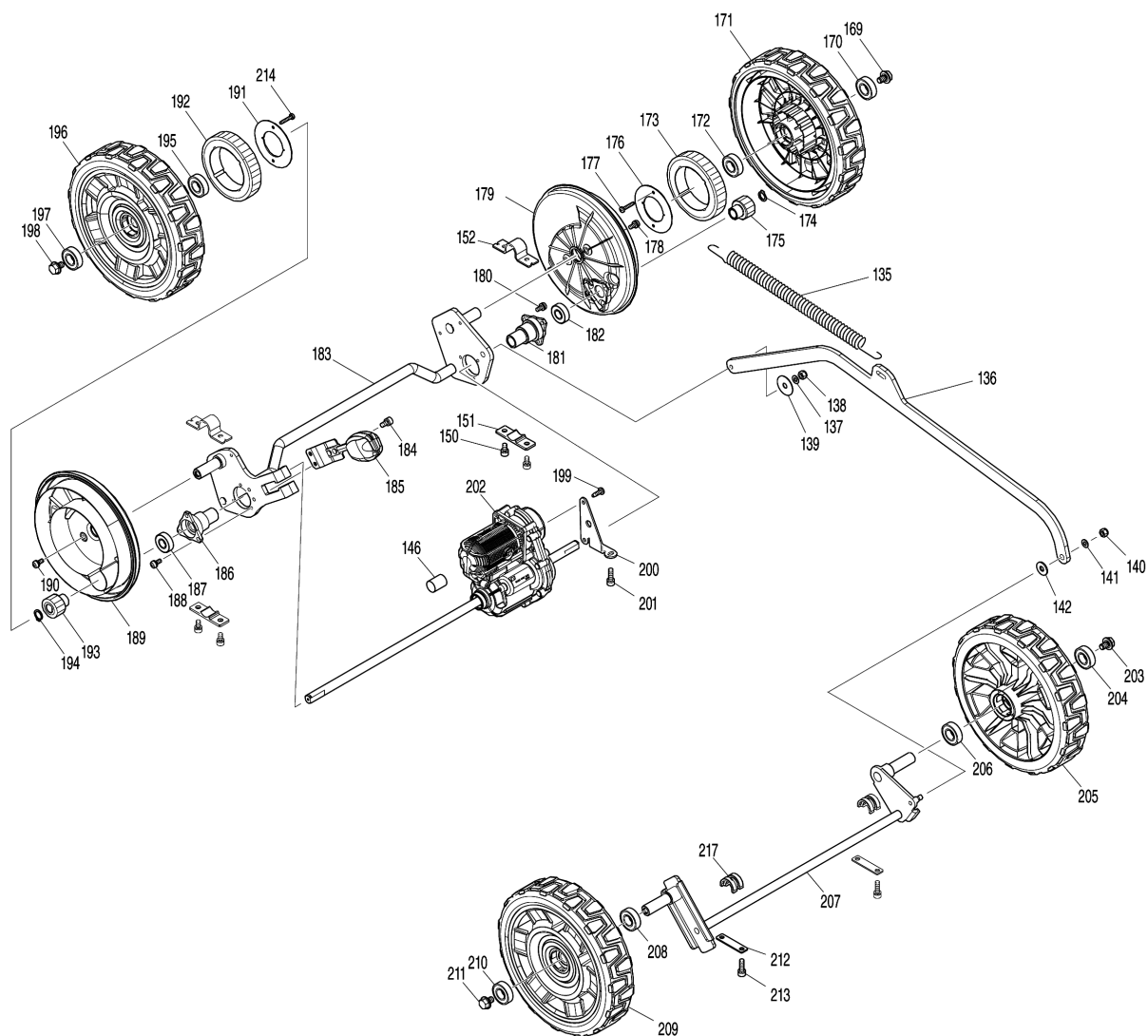
Model No.DLM533 530MM CORDLESS LAWN MOWER



Model No.DLM533 530MM CORDLESS LAWN MOWER



Model No.DLM533 530MM CORDLESS LAWN MOWER



Model No.DLM533 530MM CORDLESS LAWN MOWER

Position	Référence pièce	Description	Echange	QTE	New/Old	Option 1	Option 2	COMMENTAIRE
001	327425-6	DRIVING LEVER		1				
002	459859-6	DRIVING LEVER HOLDER		1				
003	232566-4	TORSION SPRING 12		1				
004	911138-5	PAN HEAD SCREW M4X20		1		0	P1	
005	459864-3	DRIVING LEVER SUPPORT L		1				
006	267136-0	FLAT WASHER 5		1		0	P3	
007	266424-2	TAPPING SCREW 4X20		1		0	P1	
008	266424-2	TAPPING SCREW 4X20		1		0	P1	
009	267136-0	FLAT WASHER 5		1		0	P3	
010	459858-8	DRIVING LEVER SUPPORT R		1				
011	911138-5	PAN HEAD SCREW M4X20		1		0	P1	
012	459859-6	DRIVING LEVER HOLDER		1				
013	266424-2	TAPPING SCREW 4X20		6		0	P1	
014	183N90-3	SWITCH BOX SET		1				
D10		INC. 26						
015	140F09-7	SWITCH CIRCUIT COMPLETE		1				
C10	810D46-0	SWITCH LABEL		1				
016	140F10-2	SWITCH CIRCUIT COMPLETE		1				
C10	818A74-1	SWITCH LABEL		1				
017	232575-3	TORSION SPRING 12		1				
018	266424-2	TAPPING SCREW 4X20		2		0	P1	
019	687124-5	STRAIN RELIEF		1		0	P1	
020	459860-1	SWITCH BOX		1				
021	620C48-0	INDICATION CIRCUIT COMPLETE		1				
C10	8007C8-5	INDICATION LABEL		1				
022	620415-1	SUB CONTROLLER		1			P14	
023	651083-9	SWITCH C3XA-1PSPM		1				
024	459866-9	SPEED LEVER HOLDER		1				
025	213897-0	O-RING 26		1				
026	183N90-3	SWITCH BOX SET		1				
D10		INC. 14						
027	266424-2	TAPPING SCREW 4X20		5		0	P1	
028	459865-1	SPEED LEVER		1				
029	266424-2	TAPPING SCREW 4X20		1		0	P1	
030	911138-5	PAN HEAD SCREW M4X20		1		0	P1	
031	459863-5	SWITCH LEVER SUPPORT L		1				
C10	931102-0	HEX. NUT M4		1		0	P1	
032	327424-8	SWITCH LEVER		1				
033	459856-2	SWITCH LEVER SUPPORT R		1				
C10	931102-0	HEX. NUT M4		1		0	P1	
034	911138-5	PAN HEAD SCREW M4X20		1		0	P1	
035	183P40-0	LEVER BOX SET		1				
C10	8007C6-9	INDICATION LABEL		1				
D10		INC. 41						

Please order the parts with part number.

Print Date 28/5/2020

Model No.DLM533 530MM CORDLESS LAWN MOWER

Position	Référence pièce	Description	Echange	QTE	New/Old	Option 1	Option 2	COMMENTAIRE
036	459857-0	LOCK OFF BUTTON		1				
037	231227-3	COMPRESSION SPRING 15		1		65	P2	
038	632E26-0	SWITCH UNIT		1			P16	
039	687124-5	STRAIN RELIEF		1		0	P1	
040	266424-2	TAPPING SCREW 4X20		2		0	P1	
041	183P40-0	LEVER BOX SET		1				
C10	8007C6-9	INDICATION LABEL		1				
D10		INC. 35						
042	266424-2	TAPPING SCREW 4X20		6		0	P1	
043	699143-9	POWER SUPPLY CORD UNIT		1				
044	327421-4	HANDLE UPPER		1				
045	252278-3	HEX. CAP NUT M8		1				
046	327491-3	HANDLE LOWER		1				
047	265A62-3	FLAT HEAD BOLT M8X38		1				
048	265A62-3	FLAT HEAD BOLT M8X38		1				
049	252278-3	HEX. CAP NUT M8		1				
050	459905-5	CLAMP		1				
051	921441-6	HEX. BOLT M8X25		2		1	P5	
052	459905-5	CLAMP		1				
053	921441-6	HEX. BOLT M8X25		2		1	P5	
054	699142-1	POWER SUPPLY CORD UNIT		1				
055	127412-3	GRASS CATCHER ASSEMBLY		1				
056	140S03-7	BATTERY COVER COMPLETE		1				
C10	890380-0	CAUTION LABEL		1		0	P1	
057	961018-5	STOP RING E-5		1		0	P1	
058	327536-7	ROD 6		1				
059	643535-4	KEY		1				
060	266404-8	TAPPING SCREW BIND 3X14		1		0	P1	
061	459851-2	SWITCH LEVER		1				
062	213896-2	O-RING 24		1				
063	459852-0	LOCK LEVER		1				
064	231037-8	COMPRESSION SPRING 7		1		65	P2	
065	266424-2	TAPPING SCREW 4X20		7		0	P1	
066	459847-3	COWLING UPPER		1				
067	856W23-2	DLM533 NAME PLATE		1				
068	183N78-3	TERMINAL HOUSING SET		2				
C10	263005-3	RUBBER PIN 6		8		65	P2	
D10		INC. 73						
069	266424-2	TAPPING SCREW 4X20		6		0	P1	
070	856W30-5	DLM533 SERIAL NO. LABEL		1				
071	644809-6	TERMINAL		4				
072	266424-2	TAPPING SCREW 4X20		8		0	P1	
073	183N78-3	TERMINAL HOUSING SET		2				
C10	263005-3	RUBBER PIN 6		8		65	P2	

Please order the parts with part number.

Print Date 28/5/2020

Model No.DLM533 530MM CORDLESS LAWN MOWER

Position	Référence pièce	Description	Echange	QTE	New/Old	Option 1	Option 2	COMMENTAIRE
D10		INC. 68						
077	266424-2	TAPPING SCREW 4X20		2		0	P1	
078	687124-5	STRAIN RELIEF		1		0	P1	
079	687051-6	STRAIN RELIEF		1		0	P3	
080	266424-2	TAPPING SCREW 4X20		2		0	P1	
081	687124-5	STRAIN RELIEF		1		0	P1	
082	687051-6	STRAIN RELIEF		1		0	P3	
083	620C45-6	CONTROLLER		1				
084	266424-2	TAPPING SCREW 4X20		2		0	P1	
085	632P74-5	LEAD UNIT		1				
086	422529-0	SPONGE B		1				
087	620C47-2	CONTROLLER		1				
088	422528-2	SPONGE A		1				
089	651444-3	SWITCH 1703.4703		1				
090	699145-5	POWER SUPPLY CORD UNIT		1				
091	266424-2	TAPPING SCREW 4X20		2		0	P1	
092	687124-5	STRAIN RELIEF		1		0	P1	
093	687051-6	STRAIN RELIEF		1		0	P3	
094	911233-1	PAN HEAD SCREW M5X20		4		0	P1	
095	459848-1	COWLING LOWER		1				
096	319869-4	MOTOR HOUSING UPPER		1				
097	253455-0	WAVE WASHER 19		1				
098	210141-6	BALL BEARING 6000DDW		1			P99	
099	519606-8	ROTOR ASS'Y		1				
D10		INC. 98,100						
100	211387-7	BALL BEARING 6004LLU		1		2	P9	
101	265B29-7	TAPPING SCREW PT 2X8		2				
102	620B88-2	CONTROLLER B		1				
103	629465-3	STATOR		1				
104	319870-9	MOTOR HOUSING LOWER		1				
105	911691-1	PAN HEAD SCREW M5X70		3		0	P3	
106	652031-1	PAN HEAD SCREW M3X6		3				
107	911233-1	PAN HEAD SCREW M5X20		4		0	P1	
108	922456-6	HEX. SOCKET HEAD BOLT M8X35		4		65	P2	
109	319867-8	MOTOR BRACKET		1				
110	459853-8	BAFFLE PLATE		1				
111	911126-2	PAN HEAD SCREW M4X16		4		0	P1	
112	240205-2	FAN 170		1				
113	319868-6	BLADE SUPPORT		1				
114	266424-2	TAPPING SCREW 4X20		2		0	P1	
115	191D52-7	BLADE 530 SET		1				
116	265A69-9	HEX. BOLT M10X35 WITH WG		1				
117	127550-1	MULCHING PLUG ASSEMBLY		1				
D10		INC. 118-121						

Please order the parts with part number.

Print Date 28/5/2020

Model No.DLM533 530MM CORDLESS LAWN MOWER

Position	Référence pièce	Description	Echange	QTE	New/Old	Option 1	Option 2	COMMENTAIRE
118	459884-7	LOCK LEVER		1				
119	231401-3	COMPRESSION SPRING 7		1		2	P8	
120	459885-5	LOCK LEVER SUPPORT		1				
121	266424-2	TAPPING SCREW 4X20		2		0	P1	
123	162809-9	REAR FLAP COMPLETE		1				
C10	8007P8-6	CAUTION LABEL		1				
124	921441-6	HEX. BOLT M8X25		1		1	P5	
126	233597-6	TORSION SPRING 8		1		0	P1	
127	961018-5	STOP RING E-5		2		0	P1	
128	327418-3	ROD 6		1				
131	327492-1	REAR GRIP		1				
134	921441-6	HEX. BOLT M8X25		1		1	P5	
135	232628-8	TENSION SPRING 16		1				
136	347647-2	CONNECTING ROD		1				
137	941151-9	FLAT WASHER 6		1		0	P1	
138	252014-7	HEX. LOCK NUT M6-10		1		65	P2	
139	267216-2	FLAT WASHER 8		1		0	P1	
140	252014-7	HEX. LOCK NUT M6-10		1		65	P2	
141	941151-9	FLAT WASHER 6		1		0	P1	
142	253762-1	FLAT WASHER 8		1		0	P3	
143	422526-6	GROMMET		1				
144	922233-6	H.S.H.BOLT M5X20 WITH WR		1		0	P1	
145	412262-2	LEAD COVER		1				
146	683A20-1	POLYOLEFIN TUBE		1				
147	319918-7	DECK		1				
148	347582-4	HEIGHT ADJUST PLATE		1				
149	921441-6	HEX. BOLT M8X25		2		1	P5	
150	922331-6	HEX. SOCKET HEAD BOLT M6X20		4		0	P1	
151	313290-9	REAR SHAFT HOLDER COVER		2				
152	347649-8	REAR SHAFT HOLDER SUPPORT		2				
164	921441-6	HEX. BOLT M8X25		4		1	P5	
165	162740-9	FRONT GRIP		1				
166	412499-1	MAKITA LOGO PLATE		1				
167	412263-0	DECK UNDER COVER		1				
168	922331-6	HEX. SOCKET HEAD BOLT M6X20		4		0	P1	
169	265324-3	HEX. FLANGE HEAD BOLT M8X12		1		1	P5	
170	211247-3	BALL BEARING 6002DDW		1		0	P3	
171	127513-7	REAR WHEEL ASSEMBLY		1				
172	211247-3	BALL BEARING 6002DDW		1		0	P3	
173	226941-4	SPUR GEAR 49		1				
174	961052-5	RETAINING RING S-12		1		65	P1	
175	226940-6	SPUR GEAR 12		1				

Please order the parts with part number.

Print Date 28/5/2020

Model No.DLM533 530MM CORDLESS LAWN MOWER

Position	Référence pièce	Description	Echange	QTE	New/Old	Option 1	Option 2	COMMENTAIRE
176	347586-6	GEAR HOLDER PLATE		1				
177	266424-2	TAPPING SCREW 4X20		2		0	P1	
178	911213-7	PAN HEAD SCREW M5X12		2		0	P1	
179	459867-7	WHEEL CAP		1				
180	911213-7	PAN HEAD SCREW M5X12		3		0	P1	
181	327426-4	REAR SHAFT HOLDER		1				
182	210163-6	BALL BEARING 6001DDW		1				
183	162689-3	REAR SHAFT		1				
184	922311-2	HEX. SOCKET HEAD BOLT M6X12		2		0	P1	
185	162694-0	HEIGHT ADJUST LEVER COMPLETE		1				
186	327426-4	REAR SHAFT HOLDER		1				
187	210163-6	BALL BEARING 6001DDW		1				
188	911213-7	PAN HEAD SCREW M5X12		3		0	P1	
189	459867-7	WHEEL CAP		1				
190	911213-7	PAN HEAD SCREW M5X12		2		0	P1	
191	347586-6	GEAR HOLDER PLATE		1				
192	226941-4	SPUR GEAR 49		1				
193	226940-6	SPUR GEAR 12		1				
194	961052-5	RETAINING RING S-12		1		65	P1	
195	211247-3	BALL BEARING 6002DDW		1		0	P3	
196	127513-7	REAR WHEEL ASSEMBLY		1				
197	211247-3	BALL BEARING 6002DDW		1		0	P3	
198	265324-3	HEX. FLANGE HEAD BOLT M8X12		1		1	P5	
199	266388-0	TAPPING SCREW 5X16		2		0	P1	
200	347646-4	BRACKET		1				
201	922331-6	HEX. SOCKET HEAD BOLT M6X20		1		0	P1	
202	127510-3	DRIVE UNIT ASSEMBLY		1				
203	265324-3	HEX. FLANGE HEAD BOLT M8X12		1		1	P5	
204	211247-3	BALL BEARING 6002DDW		1		0	P3	
205	127514-5	FRONT WHEEL ASSEMBLY		1				
206	211247-3	BALL BEARING 6002DDW		1		0	P3	
207	162688-5	FRONT SHAFT		1				
208	211247-3	BALL BEARING 6002DDW		1		0	P3	
209	127514-5	FRONT WHEEL ASSEMBLY		1				
210	211247-3	BALL BEARING 6002DDW		1		0	P3	
211	265324-3	HEX. FLANGE HEAD BOLT M8X12		1		1	P5	
212	347645-6	FRONT SHAFT PLATE		2				
213	922331-6	HEX. SOCKET HEAD BOLT M6X20		4		0	P1	
214	266424-2	TAPPING SCREW 4X20		2		0	P1	
215	347648-0	REAR GUIDE PLATE		1				
216	922331-6	HEX. SOCKET HEAD BOLT M6X20		3		0	P1	

Please order the parts with part number.

Print Date 28/5/2020

Model No.DLM533 530MM CORDLESS LAWN MOWER

Position	Référence pièce	Description	Echange	QTE	New/Old	Option 1	Option 2	COMMENTAIRE
217	412264-8	FRONT SHAFT SUPPORT		2				
A01	327589-6	ROD 6		1				
A02	782210-8	SOCKET WRENCH 17		1		2	A10	
A03	782212-4	SOCKET WRENCH 13		1		2	A4	
A05B	***DC18RD	DC18RD TWO PORT FAST CHARGER		1				
D10		COMPO-PARTS						
A06B	197280-8	BATTERY BL1850B SET		4			A45	
E01	819M64-9	SOUND 91DB LABEL		1				

Please order the parts with part number.

Print Date 28/5/2020