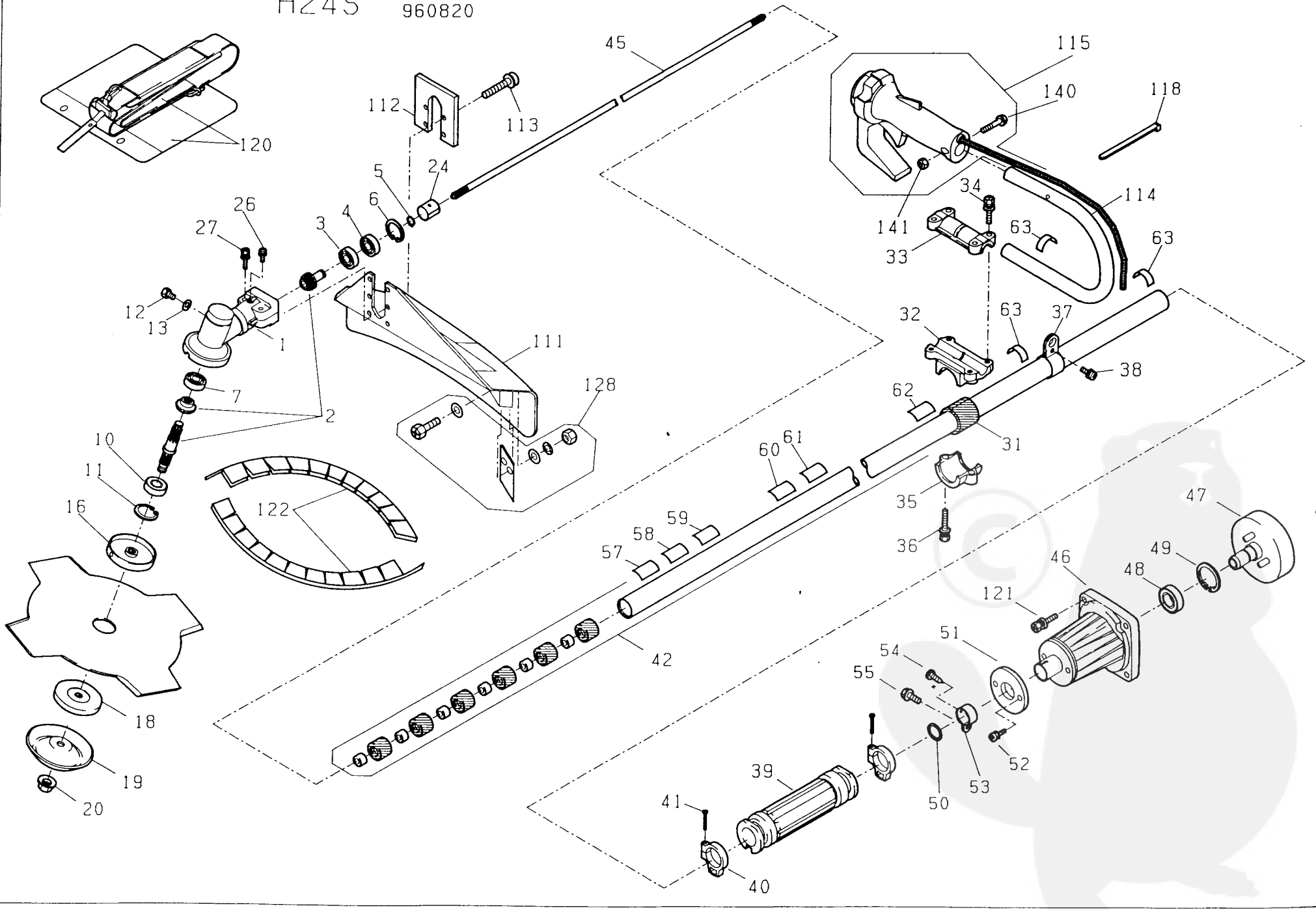


H24S 960820



MA 20-MA 25

| No.    | CODE No. | NAME                      | QTY | REMARKS  |                |
|--------|----------|---------------------------|-----|----------|----------------|
|        |          |                           |     | SIZE     | ORIGINAL MODEL |
| 1-20.  |          |                           |     |          |                |
| 26. 27 | 1666939  | GEAR CASE ASS'Y           | 1   |          |                |
| 1      | 1656235  | GEAR CASE                 | 1   |          |                |
| 2      | 1667120  | GEAR ASS'Y                | 1   |          | H26            |
| 3      | 0045020  | PINION BEARING            | 1   |          | F-4            |
| 4      | 0045500  | PINION BEARING            | 1   |          | F-4            |
| 5      | 0082010  | STOP RING                 | 1   |          | F-4            |
| 6      | 0083160  | STOP RING                 | 1   |          | F-4            |
| 7      | 0045020  | GEAR BEARING              | 1   |          | F-5            |
| 10     | 0047010  | SHAFT BEARING             | 1   |          | F-4            |
| 11     | 0083170  | STOP RING                 | 1   |          | F-4            |
| 12     | 0011000  | OIL HOLE BOLT             | 1   | M8 × 10  |                |
| 13     | 1664754  | OIL HOLE PACKING          | 1   |          | F-5            |
| 16     | 1666917  | HOLDER CUTTER             | 1   |          | F-4            |
| 18     | 1666918  | CAP CUTTER                | 1   |          |                |
| 19     | 1650957  | STABILIZER                | 1   |          | F-5            |
| 20     | 1666919  | BLADE NUT                 | 1   | M10 LEFT |                |
| 24     | 1666909  | COLLAR                    | 1   |          |                |
| 26     | 0024210  | SCREW                     | 1   | M5 × 10  |                |
| 27     | 0018120  | BOLT                      | 2   | M6 × 30  |                |
| 31     | 2011140  | HANDLE DAMPER             | 1   |          | F-3            |
| 32     | 1665431  | HANDLE HOLDER             | 1   |          | H26            |
| 33     | 1665429  | HANDLE HOLDER             | 1   |          | H26            |
| 34     | 0018120  | BOLT                      | 4   | M6 × 30  |                |
| 35     | 1665433  | HANDLE HOLDER             | 1   |          | H26            |
| 36     | 0018120  | BOLT                      | 2   | M6 × 30  |                |
| 37     | 2011070  | HANGER STRAP STEM         | 1   |          | F-3            |
| 38     | 0024420  | SCREW                     | 1   | M6 × 12  |                |
| 39     | 2011062  | HANDOL GRIP               | 1   |          | F-3            |
| 40     | 1652992  | BAND                      | 2   |          | F-3            |
| 41     | 0029120  | SCREW                     | 2   | 5 × 12   |                |
| 42     | 1667123  | DRIVE SHAFT HOUSING ASS'Y | 1   |          |                |
| 45     | 1666942  | DRIVE SHAFT               | 1   |          | H26            |
| 46-55  | 1666984  | CLUTCH HOUSING ASS'Y      | 1   |          |                |
| 46     | 2021000  | CLUTCH HOUSING            | 1   |          | F-3            |
| 47     | 1666948  | CLUTCH DRUM               | 1   |          |                |
| 48     | 0046010  | CLUTCH BEARING            | 1   |          | F-5            |
| 49     | 0083190  | STOP RING                 | 1   |          | F-3            |
| 50     | 0080610  | STOP RING                 | 1   |          | F-5            |
| 51     | 2022800  | CLUTCH HOUSING CAP        | 1   |          | F-3            |
| 52     | 0024045  | SCREW                     | 2   | M4 × 12  |                |
| 53     | 2022810  | HOUSING HOLDER            | 1   |          | F-3            |
| 54     | 0029060  | SCREW                     | 1   | 5 × 12   |                |
| 55     | 1654046  | BOLT                      | 1   | M6 × 16  |                |
| 57     | 1655770  | LABEL                     | 1   |          | H26            |
| 58     | 3333015  | LABEL                     | 1   |          | H26            |
| 59     | 1655764  | LABEL                     | 1   |          |                |
| 60     | 1655768  | LABEL                     | 1   |          | H26            |
| 61     | 1655769  | LABEL                     | 1   |          | H26            |
| 62     | 1655771  | LABEL                     | 1   |          | H26            |
| 63     | 1655772  | LABEL                     | 3   |          | H26            |
| 111    | 1667117  | SAFETY GUARD              | 1   |          | H26            |
| 112    | 1666378  | SAFETY GUARD HOLDER       | 1   |          | H26            |
| 113    | 0018180  | SCREW                     | 4   | M5 × 16  |                |

This is available for the Brush Cutters & Hedge Trimmers shipped from Japan after April 1996.

| No. | CODE No. | NAME                 | QTY | REMARKS |                |
|-----|----------|----------------------|-----|---------|----------------|
|     |          |                      |     | SIZE    | ORIGINAL MODEL |
| 114 | 1665793  | HANDLE               | 1   |         | H26S           |
| 115 | 1655821  | THROTTLE LEVER ASS'Y | 1   |         | H26S           |
| 118 | 0080360  | BAND                 | 2   |         | H26            |
| 120 | 1667186  | HARNES ASS'Y         | 1   |         |                |
| 121 | 0018060  | BOLT                 | 4   | M6 × 20 |                |
| 122 | 1666953  | PROTECTOR            | 2   |         |                |
| 123 | 1654104  | WRENCH               | 1   |         | F-5            |
| 124 | 1654103  | SPANNER              | 1   | 10 × 8  |                |
| 128 | 1665880  | BLADE ASS'Y          | 1   |         | H26            |
| 140 | 1655775  | SCREW                | 1   | M5 × 30 |                |
| 141 | 0030080  | NUT                  | 1   | M5      |                |

MA 20-MA 25