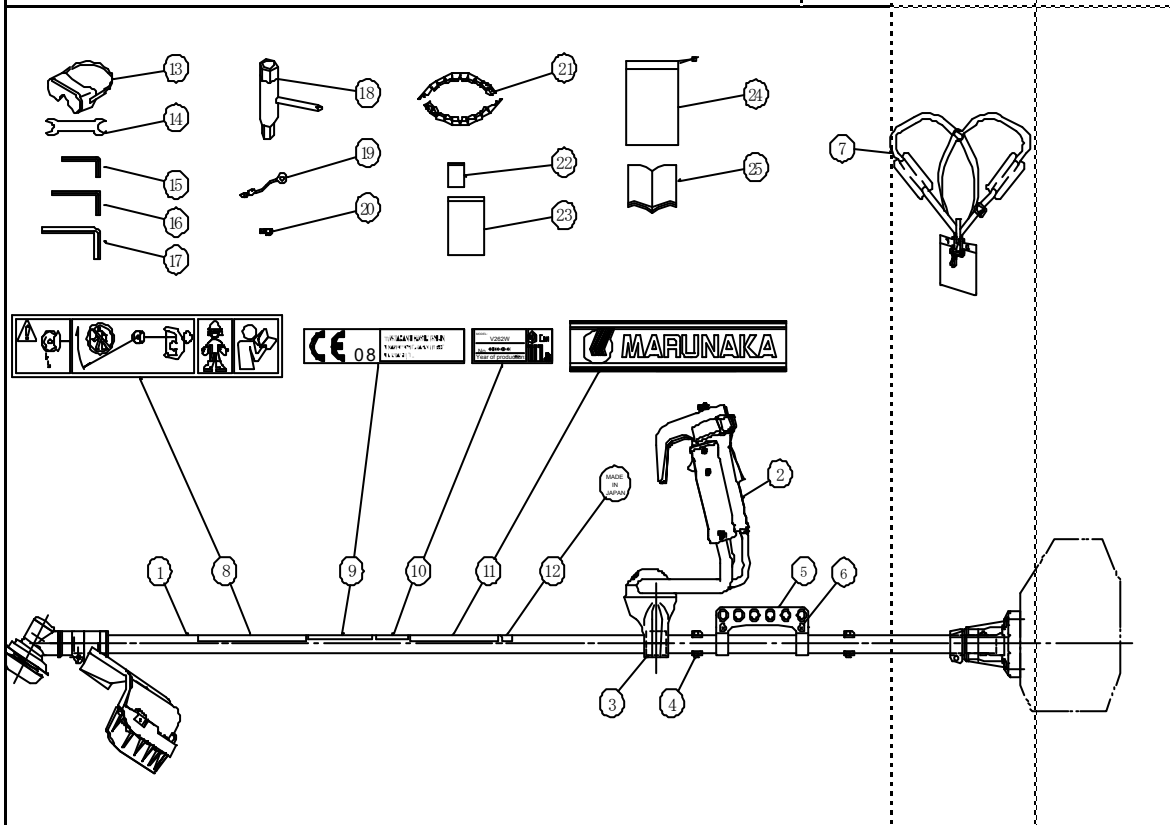


PARTS LIST MODEL V262W

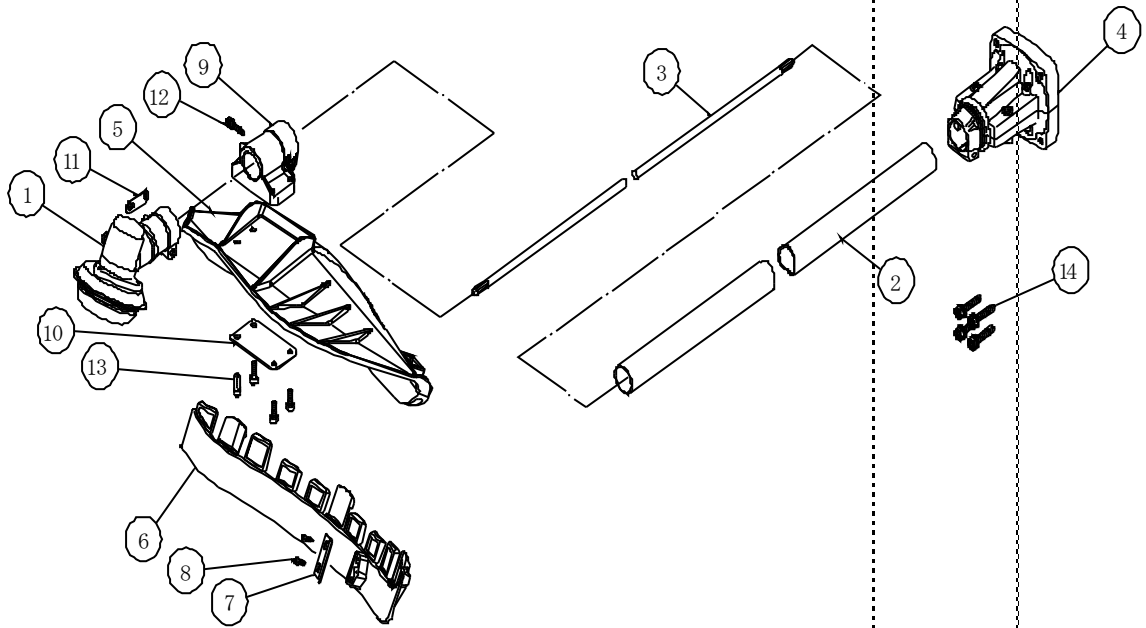


REF No.	CODE	NAME	QTY
1	800204416	SHAFT SET	1
2	800204417	HANDLE SET	1
3	800200036	HANDLE DAMPER	1
4	801675723	WIRE GUIDE	2
5	801675710	HANGER STRAP STEM	1
6	800200001	SCREW	2
7	801668671	HARNESS ASSY	1
8	800200380	LABEL	1
9	800204466	LABEL	1
10	800204456	LABEL	1
11	800201167	LABEL	1
12	800204464	LABEL	1
13	801688381	EYE PROTECTOR	1
14	800200023	SPANNER	1
15	800200022	SPANNER	1
16	800200042	SPANNER	1
17	800200043	SPANNER	1
18	800203745	SPANNER	1
19	800200111	CABLE ASSY	1
20	800200034	SCREW	1
21	800200511	PROTECTOR	2
22	801689082	BAG	1
23	800200025	BAG	1

24	800200026	BAG	1		
25	800204407	MANUAL	1		

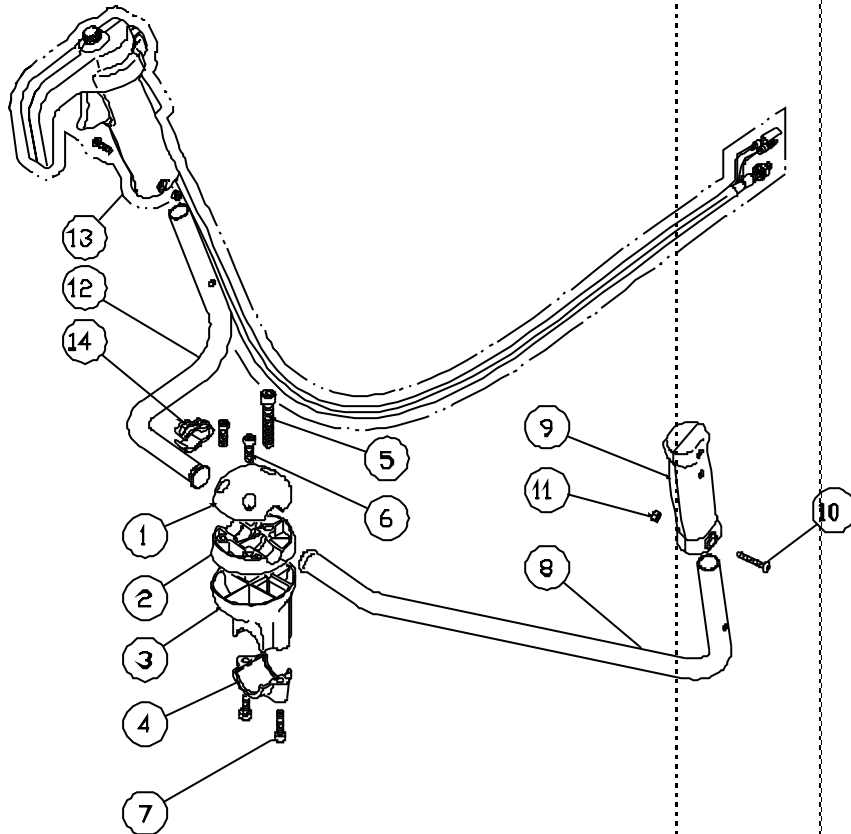


PARTS LIST MODEL V262W



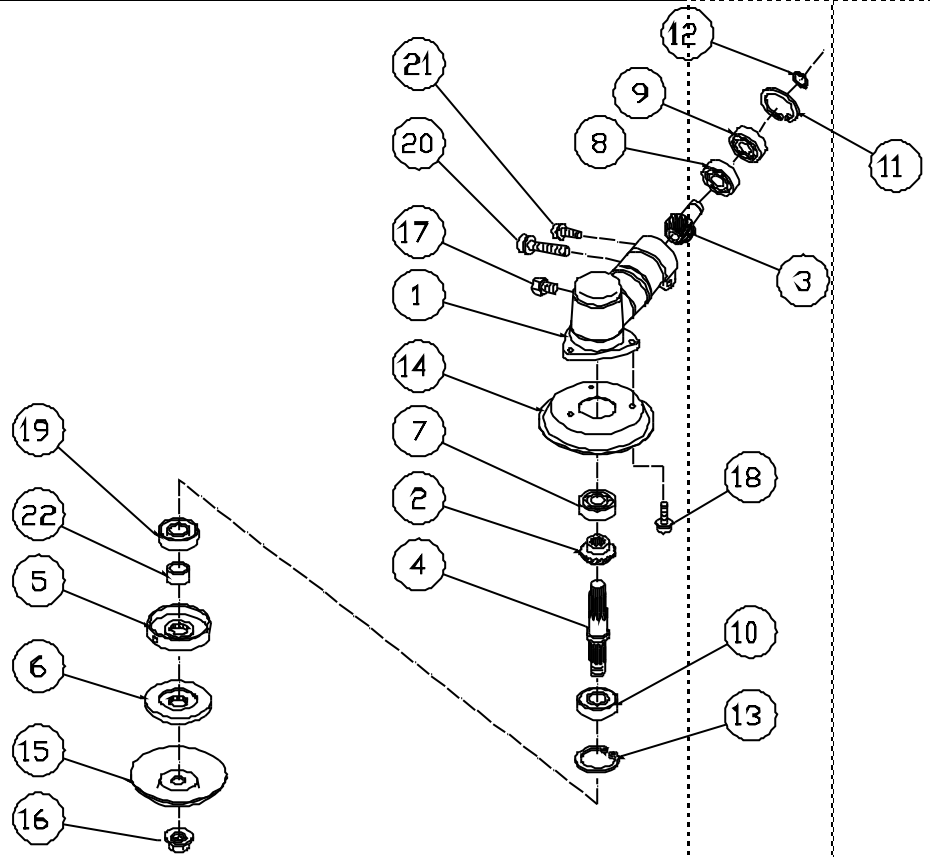
REF No.	CODE	NAME	QTY	
1	801675707	GEAR CASE ASS'Y	1	
2	801675708	DRIVE SHAFT HOUSING ASS'Y	1	
2, 1	801675709	DRIVE SHAFT HOUSING	1	
2. 2	800203600	METAL CUSHION	6	
2, 3	800200029	OIL METAL	6	
3	801666942	DRIVE SHAFT	1	
4	800202421	CLUTCH CASE ASSY	1	
5	800205017	<del>800204579</del> SAFETY GUARD	1	new part as of JAN2010
6	800201971	SAFETY GUARD	1	
7	800201972	CUTTER	1	
8	800200460	SCREW	2	
9	800204577	SAFETY GUARD HOLDER	1	new part as of JAN2010
10	800204580	SAFETY GUARD HOLDER (PLATE)	1	new part as of JAN2010
11	801675703	CONNECTOR	1	
12	800200012	CAP BOLT	1	
13	800200013	CAP BOLT	4	
14	800200035	BOLT	4	

PARTS LIST MODEL V262W



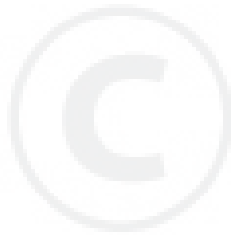
REF No.	CODE	NAME	QTY
	800204417	HANDLE SET	1
1	800202149	HANDLE HOLDER	1
2	800202150	HANDLE HOLDER	1
3	801675714	HANDLE HOLDER	1
4	801675715	HANDLE HOLDER	1
5	800200037	BOLT	1
6	800200038	BOLT	2
7	800200039	BOLT	2
8	801675716	HANDLE	1
9	801655825	GRIP ASSY	1
10	800203739	SCREW	2
11	800201048	NUT	2
12	801675717	HANDLE	1
13	801695932	THROTTELE LEVER ASSY	1
14	801675722	WIRE GUIDE	1

PARTS LIST MODEL V262W

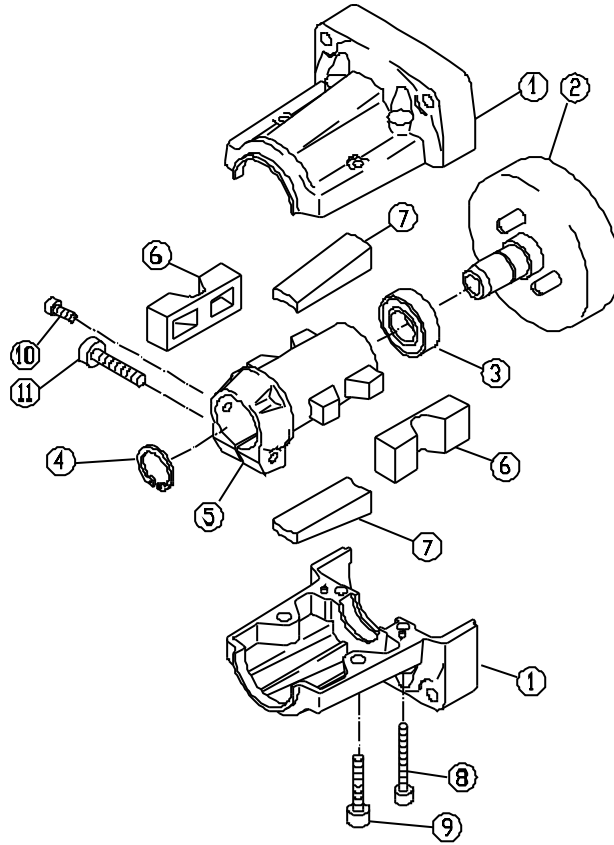


REF No.	CODE	NAME	QTY
	801675707	GEAR CASE ASS' Y	1
1	801676365	GEAR CASE	1
2	801676366	BEVEL GEAR	1
3	801676367	PINION	1
4	801676368	GEAR SHAFT	1
5	801676369	HOLDER (A)	1
6	801676370	HOLDER (B)	1
7	800045020	BEARING	1
8	800045020	BEARING	1
9	800045500	BEARING	1
10	801676371	BEARING	1
11	800083160	STOP RING	1
12	800082010	STOP RING	1
13	800083190	STOP RING	1
14	801676372	GEAR CASE COVER	1
15	801676373	NUT COVER	1
16	801676374	NUT	1
17	800010505	BOLT	1
18	801676360	SCREW	3
19	801676375	OIL SEAL	1
20	801676376	CAP BOLT	1

21	801676363	CAP BOLT	1		
22	801676364	COLOR	1		



PARTS LIST MODEL V262W



REF No.	CODE	NAME	QTY
	800202421	CLUTCH CASE ASSY	1
1	800202144	CLUTCH HOUSING	1
2	801688365	CLUTCH DRUM	1
3	800200004	BEARING	1
4	800200006	STOP RING	1
5	800202145	CLUTCH HOUSING HOLDER	1
6	801693572	HOUSING DAMPER	2
7	801652258	HOUSING DAMPER	2
8	800200032	CAP BOLT	2
9	800200033	CAP BOLT	2
10	800200034	SCREW	1
11	800200035	BOLT	1