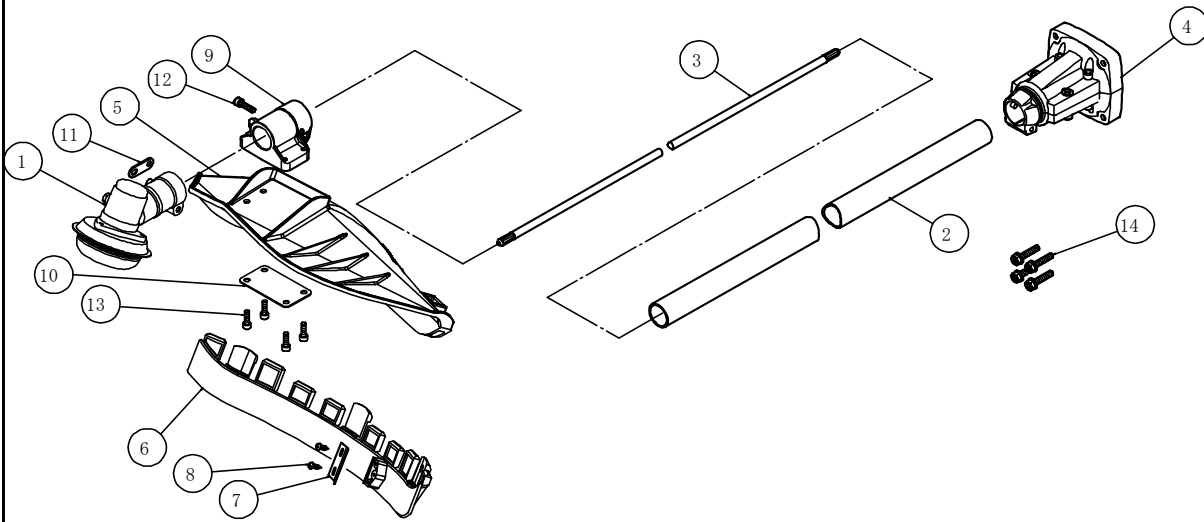
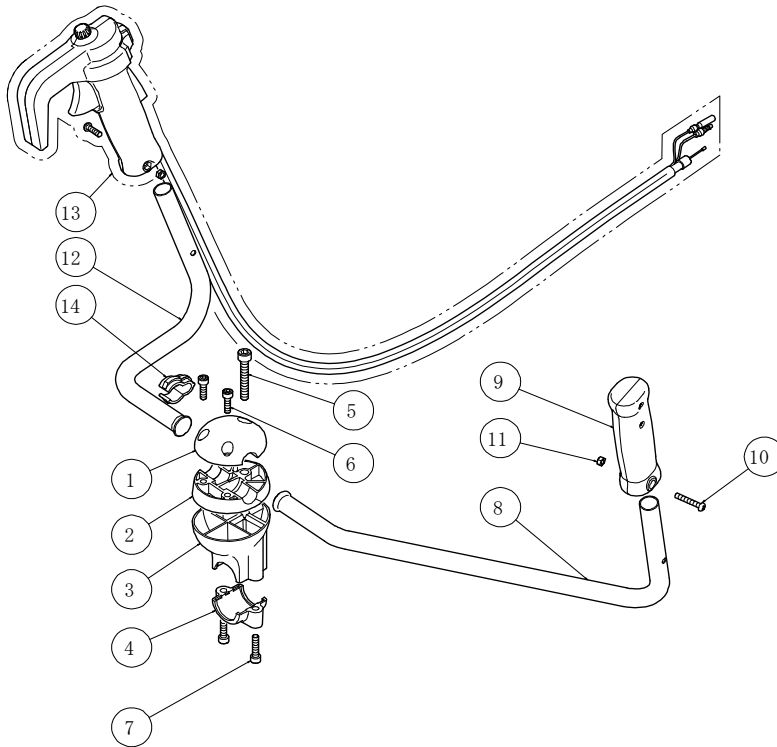


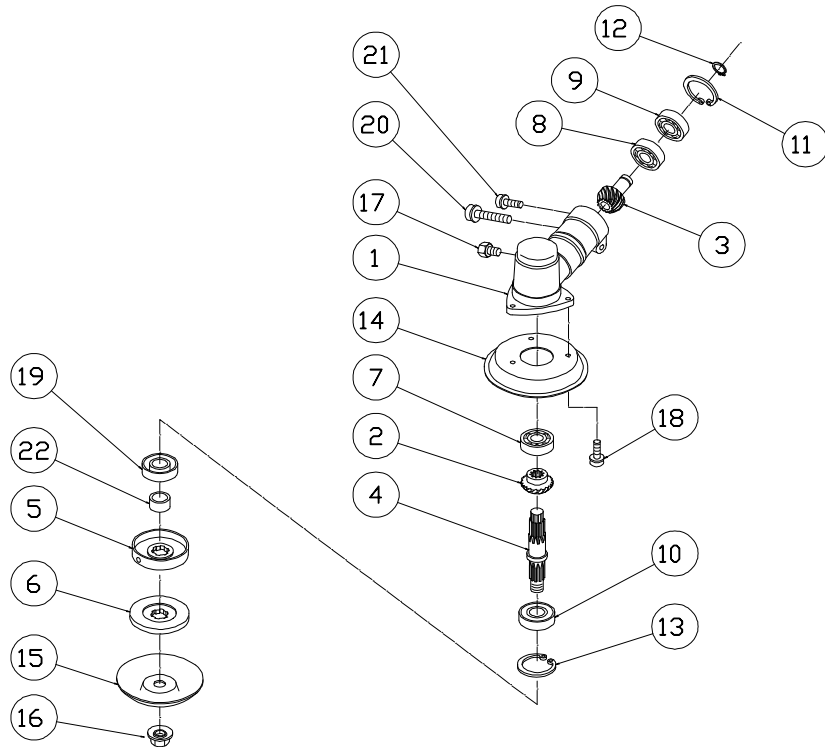
REF No.	CODE	NAME	QTY	Price ex-works	REMARKS
1	800204944	SHAFT SET	1		28
2	800204417	HANDLE SET	1		W type
3	800200069	HANDLE DAMPER	1	¥60	for 28
4	801675731	WIRE GUIDE	2	¥27	for 28
5	801675729	HANGER STRAP STEM	1	¥223	for 28
6	800200001	SCREW	2	¥18	M6×12 (+)2P
7	800202426	HARNESS ASSY	1	¥1,591	Double belt
8	800200380	LABEL	1		178×35 PL
9	800204913	LABEL	1		86×20 CE08
10	800205026	LABEL	1		53×25 Model+dB+ 「BRUSH CUTTER」
11	800201167	LABEL	1		143×29 MARUNAKA
12	800204464	LABEL	1		Φ20 Made in Japan
13	801688381	EYE PROTECTOR	1	¥116	
14	800200023	SPANNER	1	¥137	10×8
15	800200022	SPANNER	1	¥35	#4
16	800200042	SPANNER	1	¥35	#5
17	800200043	SPANNER	1	¥38	#6
18	801689042	SPANNER	1	¥35	13×19
19	800200511	PROTECTOR	2	¥129	1Set
20	800200556	TUBE	1	¥20	Φ13×120
21	801689082	BAG	1		82×60
22	800200025	BAG	1		118×168
23	800200026	BAG	1		370×270
24	800204914	MANUAL	1	¥685	A4



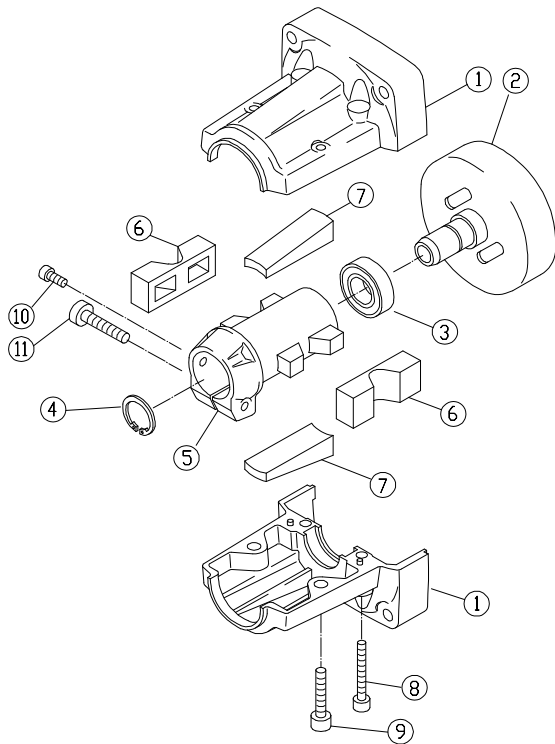
REF No.	CODE	NAME	QTY	Price ex-works	REMARKS
	800204912	SHAFT SET	1		28
1	801675726	GEAR CASE ASSY	1	¥6.442	for 28
2	801675727	DRIVE SHAFT HOUSING ASSY	1	¥3.666	φ 28×1545
2, 1	801675728	DRIVE SHAFT HOUSING	1	¥1.704	φ 28×t2.0×1545
2. 2	800201764	METAL CUSHION	6	¥78	C-28
2, 3	800200029	OIL METAL	6	¥80	φ 8× φ 14×10
3	801698906	DRIVE SHAFT	1	¥1.250	φ 8×1590
4	800203243	CLUTCH CASE ASSY	1	¥3.745	for 28
5	800205017	SAFETY GUARD	1	¥1.428	393×236×92
6	800201971	SAFETY GUARD	1	¥223	415×24×67
7	800201972	CUTTER	1	¥95	38×31.7×t1
8	800200460	SCREW	2	¥26	#4×12(+) 2P
9	800204576	SAFETY GUARD HOLDER	1	¥1.096	for 28
10	800204580	SAFETY GUARD HOLDER	1	¥80	72×40×t1.5
11	801675703	CONNECTOR	1	¥18	35×12×t1.5
12	800200012	CAP BOLT	1	¥10	M5×20
13	800200013	CAP BOLT	4	¥18	M5×16
14	800200035	BOLT	4	¥50	M6×30 (+)3P



REF No.	CODE	NAME	QTY	Price ex-works	REMARKS
	800204770	HANDLE SET	1		W type
1	800202149	HANDLE HOLDER	1	¥386	for 19
2	800202150	HANDLE HOLDER	1	¥386	for 19
3	801675714	HANDLE HOLDER	1	¥760	
4	801675715	HANDLE HOLDER	1	¥224	
5	800200037	BOLT	1	¥26	M8×50
6	800200038	BOLT	2	¥11	M6×20
7	800200039	BOLT	2	¥11	M6×25
8	801675716	HANDLE	1	¥506	φ 19.1×t1.2 LEFT
9	801655825	GRIP ASSY	1	¥1.053	
10	800203739	SCREW	2	¥18	M5×30(+)
11	800201048	NUT	2	¥10	M5
12	801675717	HANDLE	1	¥488	φ 19.1×t1.2 RIGHT
13	801695932	THROTTLE LEVER ASSY	1	¥2.740	TO CONNECT EURO2 ENGINE
14	801675722	WIRE GUIDE	1	¥22	for 19



REF No.	CODE	NAME	QTY	Price ex-works	REMARKS
	801675726	GEAR CASE ASSY	1	¥6.442	for 28
1	801676377	GEAR CASE	1	¥1.386	for 28
2	801676378	BEVEL GEAR	1	¥757	
3	801676379	PINION	1	¥1.341	
4	801676380	GEAR SHAFT	1	¥1.049	
5	801676381	HOLDER (A)	1	¥712	
6	801676382	HOLDER (B)	1	¥574	
7	800045130	BEARING	1	¥600	6001
8	800045130	BEARING	1	¥600	6001
9	800045510	BEARING	1	¥600	6001Z
10	801676383	BEARING	1	¥677	6202
11	800083170	STOP RING	1	¥78	28
12	800082030	STOP RING	1	¥69	12
13	801668111	STOP RING	1	¥95	35
14	801676385	GEAR CASE COVER	1	¥292	$\phi 44 \times \phi 88 \times t1$
15	801676373	NUT COVER	1	¥240	$\phi 10 \times \phi 73 \times t1.5$
16	801676374	NUT	1	¥286	M10 \times 1.25
17	800010505	BOLT	1	¥52	M6 \times 8
18	801676360	SCREW	3	¥35	M4 \times 8(+) 2P
19	801676386	OIL SEAL	1	¥343	TC22 \times 35 \times 7
20	801676376	CAP BOLT	1	¥112	M6 \times 30 2P
21	801676363	CAP BOLT	1	¥60	M5 \times 10 2P
22	801676387	COLLAR	1	¥437	$\phi 15 \times \phi 22 \times 9.5$



REF No.	CODE	NAME	QTY	Price ex-works	REMARKS
	800203243	CLUTCH CASE ASSY	1	¥3.745	for 28
1	800203243	CLUTCH HOUSING	1	¥2.637	94.35×92×46
2	800202144	CLUTCH DRUM	1	¥1.228	φ 78
3	800203239	BEARING	1	¥422	6002LLU
4	800200006	STOP RING	1	¥25	S-15
5	800202146	CLUTCH HOUSING HOLDER	1	¥1.122	for 28
6	801693572	HOUSING DAMPER	2	¥95	20×50×13
7	801652258	HOUSING DAMPER	2	¥60	
8	800200032	CAP BOLT	2	¥17	M5×30
9	800200033	CAP BOLT	2	¥17	M6×25
10	800200034	SCREW	1	¥18	M5×10 (+) 2P
11	800200035	BOLT	1	¥50	M6×30 (+) 3P