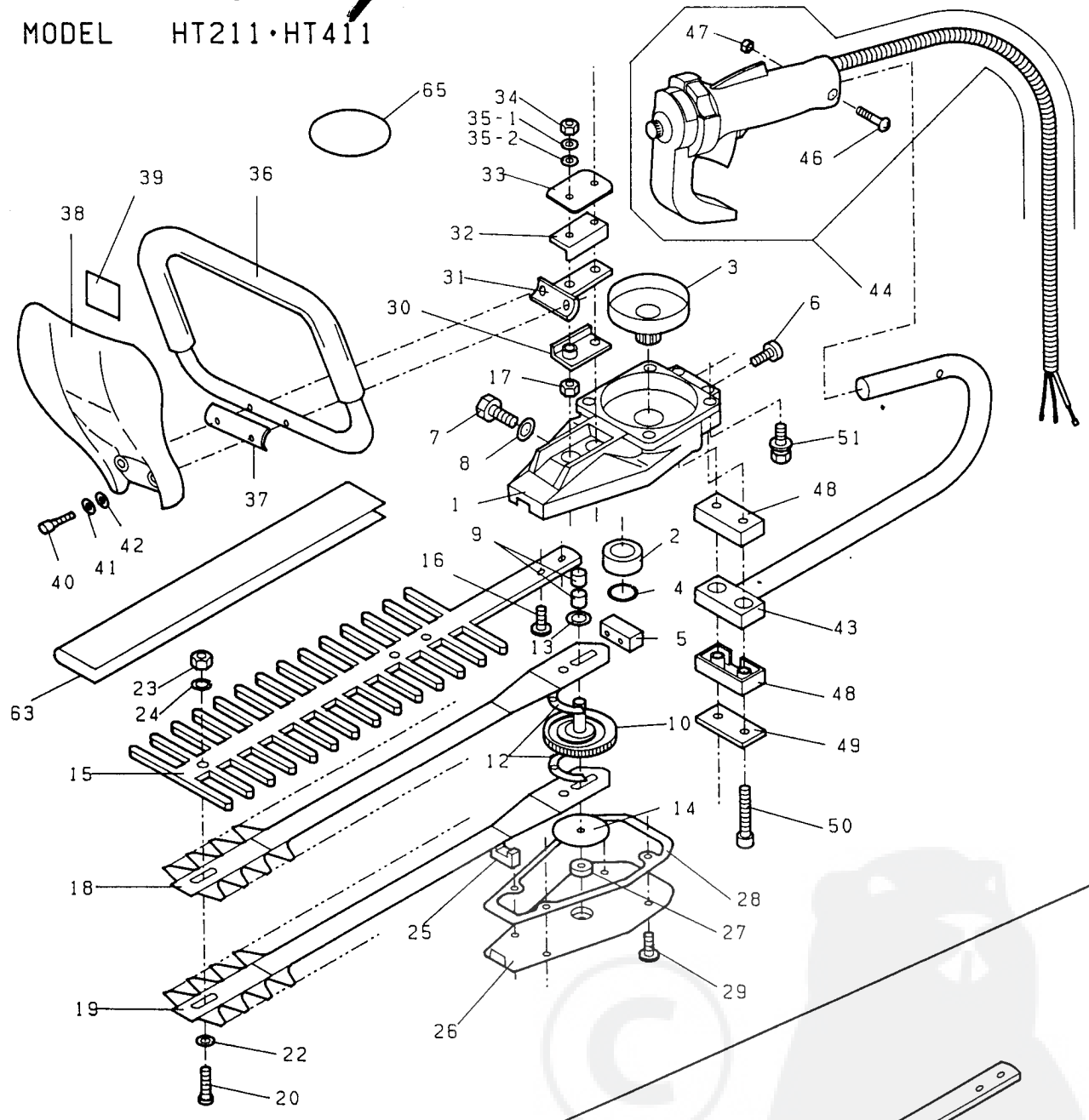
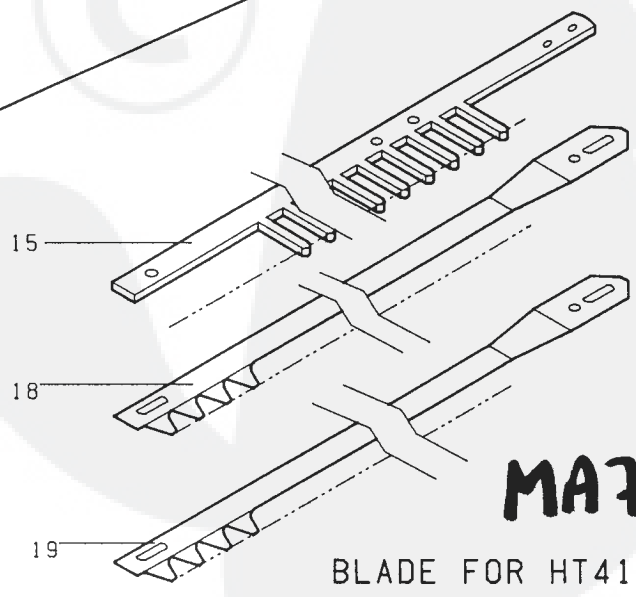
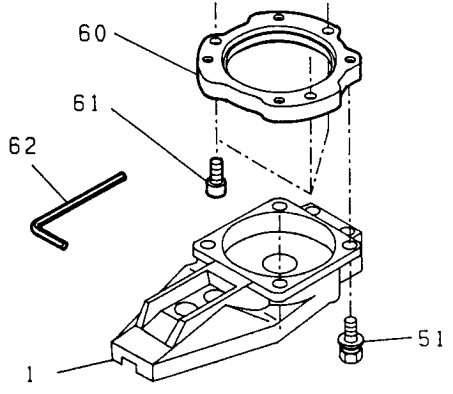


MA45D MA73

MODEL HT211·HT411



FOR HT211K



MA73

BLADE FOR HT411

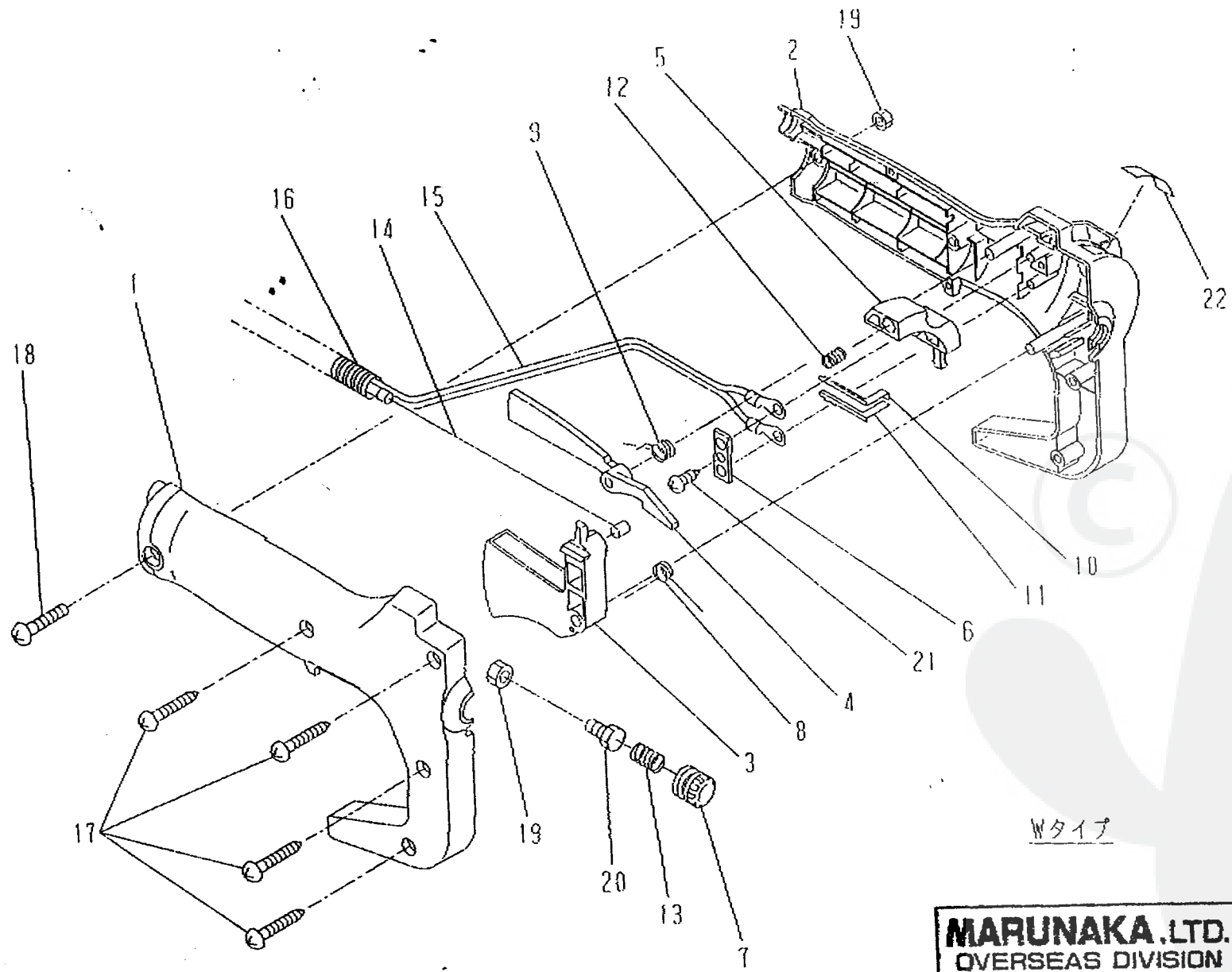
No.	CODE No.	NAME	QTY	MODEL	REMARKS	
					SIZE	ORIGINAL MODEL
1	1652164	GEAR CASE	1	HT211-HT411	(EG)	HT-410
2	0046020	BEARING	1	HT211-HT411	6202ZZ	HT-410
3	5029040	CLUTCH DRUM	1	HT211-HT411		HT-410
4	0080610	STOP RING	1	HT211-HT411		HT-410
5	1652153	BEARING HOLDER	1	HT211-HT411		HT-410
6	0021030	FLAT H. SCREW	2	HT211-HT411	4 X 10	
7	0010500	OIL HOLE BOLT	1	HT211-HT411	M6 X 8	
8	1664753	PACKING-OIL HOLE	1	HT211-HT411		HT-410
9	5029072	CATCHER (L)-SHAFT	2	HT211-HT411		HT-410
10	1667197	CRANK GEAR ASS'Y (L)	1	HT211-HT411		HT-410
12	5029800	CAM-CRANKGEAR	2	HT211-HT411		HT-410
13	5029080	BLADE GUIDE (S)	1	HT211-HT411		HT-410
14	5029130	BLADE GUIDE (L)	1	HT211-HT411		HT-410
15	1666223	STAY	1	HT211		
	1666224	STAY	1	HT411		
16	0021290	FLAT H. BOLT-STAY	2	HT211-HT411	M6 X 35	
17	0031221	U-NUT-STAY	2	HT211-HT411	M6	
18	5029091	BLADE, UPPER	1	HT211		HT-210
	5029311	BLADE, UPPER	1	HT411		HT-410
19	5029121	BLADE, LOWER	1	HT211		HT-210
	5029331	BLADE, LOWER	1	HT411		HT-410
20	5029170	BOLT (S)-BLADE	4	HT211		HT-410
	5029170	BOLT (S)-BLADE	5	HT411		HT-410
22	5029180	WASHER-BLADE	4	HT211		HT-410
	5029180	WASHER-BLADE	5	HT411		HT-410
23	0031221	U-NUT-BLADE	4	HT211	M6	
	0031221	U-NUT-BLADE	5	HT411	M6	
24	0032720	SPRING WASHER-BLADE	4	HT211	M6	
	0032720	SPRING WASHER-BLADE	5	HT411	M6	
25	5029140	GREASE PACKING	1	HT211-HT411		HT-410
26	5029162	BOTTOM PLATE-GEAR CASE	1	HT211-HT411	W/BEARING	HT-410
27	1664722	BEARING	1	HT211-HT411	606ZZ	HT-410
28	5029150	PACKING-BOTTOM PLATE	1	HT211-HT411		HT-410
29	0029060	TAP. SCREW-BOTTOM PLATE	4	HT211-HT411	5 X 12	
30	5029190	CUSHION (A)-LOOP	1	HT211-HT411		HT-210
31	5029200	HANDLE STAY-LOOP HANDLE	1	HT211-HT411		HT-210
32	1665385	CUSHION (B)-LOOP	1	HT211-HT411		HT-210
33	5029210	CUSHION PLATE	1	HT211-HT411		HT-410
34	0030020	HEX. NUT-STAY	2	HT211-HT411	M6	
35-1	0032720	SPRING WASHER-STAY	2	HT211-HT411	M6	
35-2	0032220	WASHER-STAY	2	HT211-HT411	M6	
36	5029220	LOOP HANDLE	1	HT211-HT411		HT-210
37	5029230	HOLDER-LOOP HANDLE	1	HT211-HT411		HT-210
38	5029240	HANDLE COVER	1	HT211-HT411		HT-210
39	1655805	LABEL	1	HT211		
	1655804	LABEL	1	HT411		
40	1652142	SOCKET H. SCREW	2	HT211-HT411	M5 X 30	
41	0032770	SPRING WASHER-L. HANDLE	2	HT211-HT411	M5	
42	0032270	WASHER-L. HANDLE	2	HT211-HT411	M5	
43	1666222	U-HANDLE	1	HT211-HT411		
44	1655824	THROTTLE LEVER ASS'Y	1	HT211-HT411		
46	1655775	SCREW	1	HT211-HT411	M5 X 30	
47	0030080	NUT	1	HT211-HT411	M5	
48	5029250	CUSHION (C)(D)-U-HANDLE	2	HT211-HT411	C+D/SET	HT-410
49	5029210	CUSHION PLATE	1	HT211-HT411		HT-410
50	0018120	BOLT-U. HANDLE	2	HT211-HT411	M6 X 30	
51	0018060	BOLT-ENGINE	4	HT211-HT411	M6 X 20	
60	1652254	FLANGE (FOR KAWASAKI)TG18	1	HT211		

No.	CODE No.	NAME	QTY	MODEL	REMARKS	
					SIZE	ORIGINAL MODEL
61	1651023	SOCKET H. SCREW	TG18	3	HT211	M6X16
62	0130410	HEX. WRENCH	TG18	1	HT211	5
63	1652151	BLADE COVER		2	HT211	
	1652211	BLADE COVER		1	HT411	
64	1654103	SPANNER		1	HT211-HT411	8 X 10
65	1655774	LABEL	TG18/TL26	1		φ 48
	1655773	LABEL	TF22	1		φ 60

This is available for the Brush Cutters & Hedge Trimmers shipped from Japan after April 1996.



'00-09-18 14:15



Wタイプ

MARUNAKA, LTD.
OVERSEAS DIVISION

MA73

MA73

[CE TH. LEVER H24/6/8W HT411]

FOB

NO.	CODE NO.	NAME	QTY	YEN
1	165-578-6	GRIP-RIGHT CE LEVER	1	400
2	165-578-7	GRIP-LEFT CE LEVER	1	400
3	165-578-8	LEVER-THROTTLE CE LEVER	1	250
4	165-578-9	LEVER-LOCK CE LEVER	1	250
5	165-579-0	SWITCH CE LEVER	1	250
6	165-579-1	COVER-TERMINAL CE LEVER	1	200
7	165-579-2	KNOB CE LEVER	1	100
8	165-579-3	SPRING CE LEVER	1	50
9	165-579-4	SPRING CE LEVER	1	50
10	165-579-5	SPRING CE LEVER	1	50
11	165-579-6	SPRING CE LEVER	1	50
12	165-579-7	SPRING CE LEVER	1	50
13	165-579-8	SPRING CE LEVER	1	50
14	165-580-6	WIRE-THROTTLE H24-28W/MA73	1	400
15	165-581-1	CORD H24-28W/MA73	1	250
16	165-581-6	TUBE H24-28W/MA73	1	250
17	165-580-0	SCREW-TAPPING CE LEVER	4	50
18	165-577-5	SCREW CE LEVER	1	50
19	003-008-0	NUT M5 CE LEVER	2	50
20	168-582-8	BOLT M5X15 H24-28W	1	100
21	165-580-1	SCREW-TAPPING CE LEVER	1	50
22	165-579-9	LABEL CE LEVER	1	
14	165-580-9	WIRE-THROTTLE HT411	1	400
15	165-581-4	CORD HT411	1	250
16	165-581-8	TUBE HT411	1	250
20	168-035-6	BOLT M5X15 HT411	1	100
14 B	165-580-9B	WIRE HT412/MA73	1	400
15 B	165-581-4B	CORD HT412/MA73	1	250
16 B	165-581-8B	TUBE HT412/MA73	1	250

MARUNAKA, LTD.
OVERSEAS DIVISION