

REPAIR PARTS MANUAL
MODEL NO. LZ145H107 (96011007400)
Lawn Tractor

LAZER[®]

532 19 57-63 11.08.04 RD
PRINTED IN U.S.A.

HOW TO USE THIS MANUAL

This manual is designed to provide the customer with a means to identify the parts on his/her tractor when ordering repair parts. The illustrations may or may not represent the actual assemblies; therefore, it is not recommended to use this manual as a guide to assemble or disassemble the tractor. Some hardware and parts are drawn larger in order to more readily identify them.

Each tractor has its own model number.

The model number for your tractor can be found on the fender under the seat.

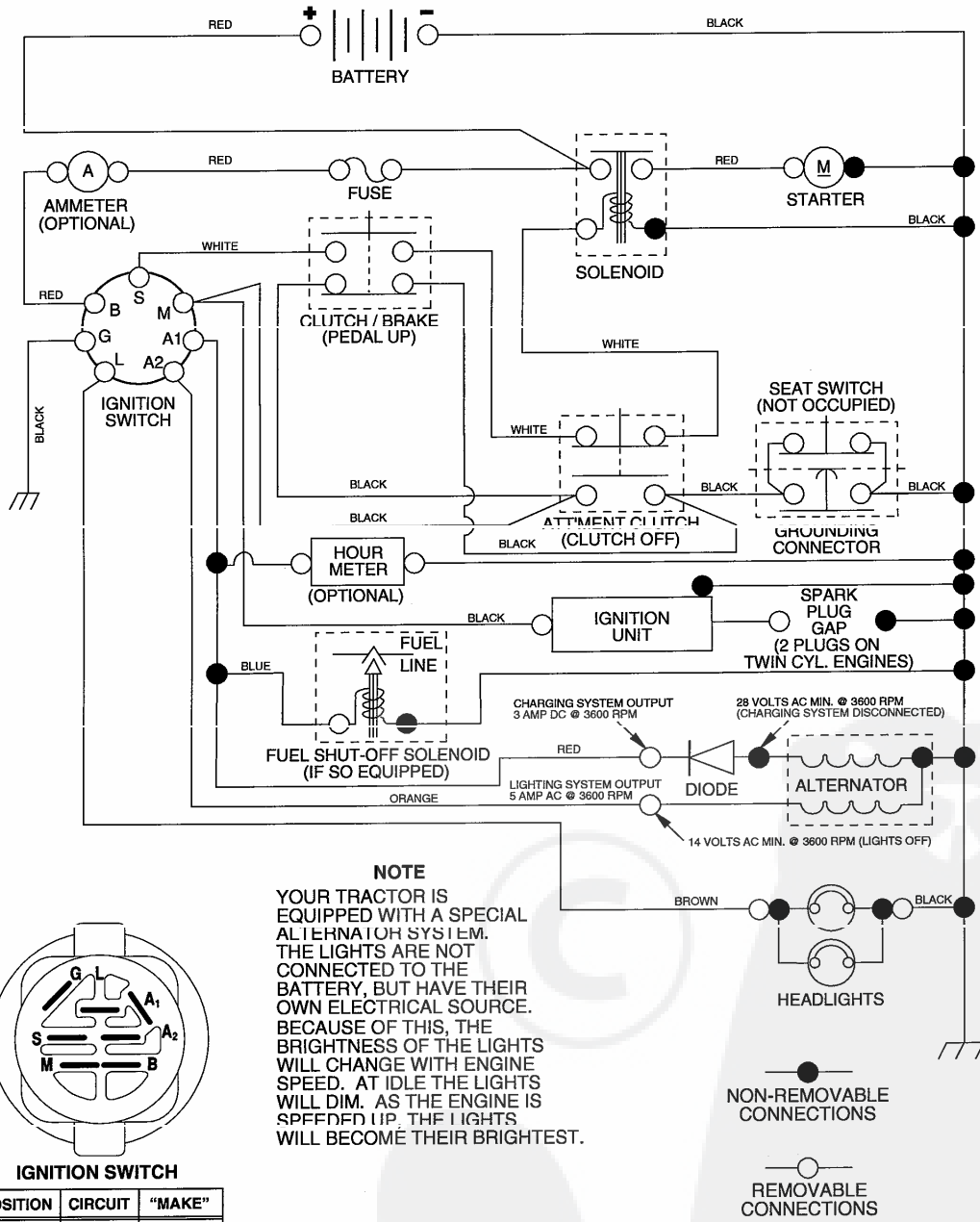
When ordering parts, always give the following information:

- Product - "Lawn Tractor"
- Model Number - "LZ145H107" (96011007400)
- Part Number
- Part Description

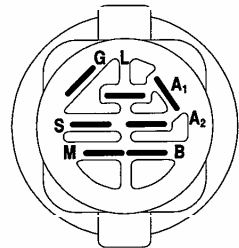
TABLE OF CONTENTS

SCHEMATIC	3
ELECTRICAL.....	4-5
CHASSIS AND ENCLOSURES.....	6-7
DRIVE.....	8-9
STEERING WHEEL	10-11
ENGINE.....	12-13
SEAT	14
DECALS.....	15
MOWER DECK	16-17
MOWER LIFT	18-19
WARRANTY.....	20

**TRACTOR-MODEL NO. LZ145H107(96011007400), PRODUCT NO. 960 11 00-47
SCHEMATIC**



NOTE
YOUR TRACTOR IS EQUIPPED WITH A SPECIAL ALTERNATOR SYSTEM. THE LIGHTS ARE NOT CONNECTED TO THE BATTERY, BUT HAVE THEIR OWN ELECTRICAL SOURCE. BECAUSE OF THIS, THE BRIGHTNESS OF THE LIGHTS WILL CHANGE WITH ENGINE SPEED. AT IDLE THE LIGHTS WILL DIM. AS THE ENGINE IS SPEEDED UP, THE LIGHTS WILL BECOME THEIR BRIGHTEST.



IGNITION SWITCH

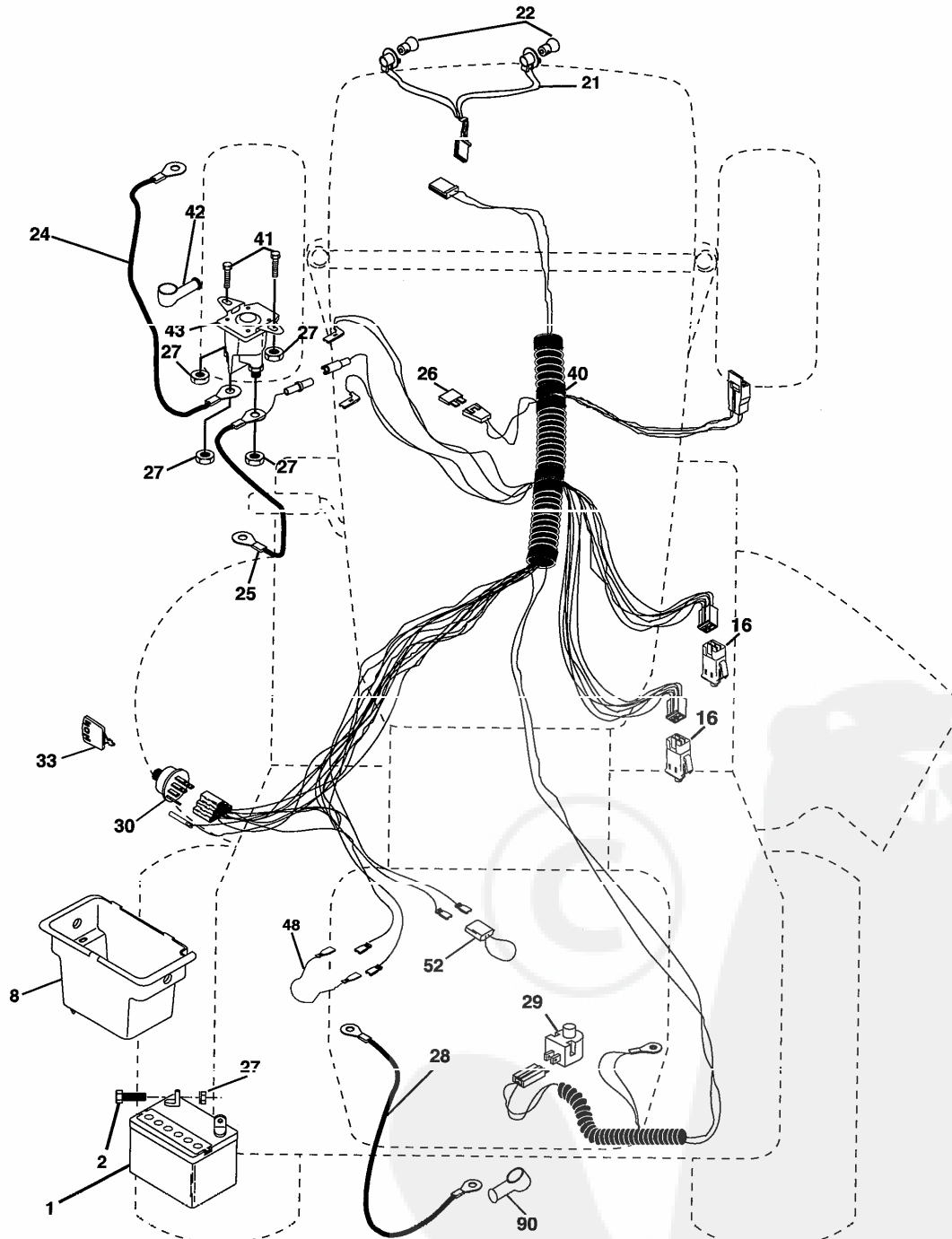
POSITION	CIRCUIT	"MAKE"
OFF	M+G+A1	NONE
RUN/LIGHT	B+A1	A2+L
RUN	B+A1	NONE
START	B + S + A1	NONE

WIRING INSULATED CLIPS

NOTE: IF WIRING INSULATED CLIPS WERE REMOVED FOR SERVICING OF UNIT, THEY SHOULD BE REPLACED TO PROPERLY SECURE YOUR WIRING.

REPAIR PARTS

TRACTOR-MODEL NO. LZ145H107(96011007400), PRODUCT NO. 960 11 00-47
ELECTRICAL

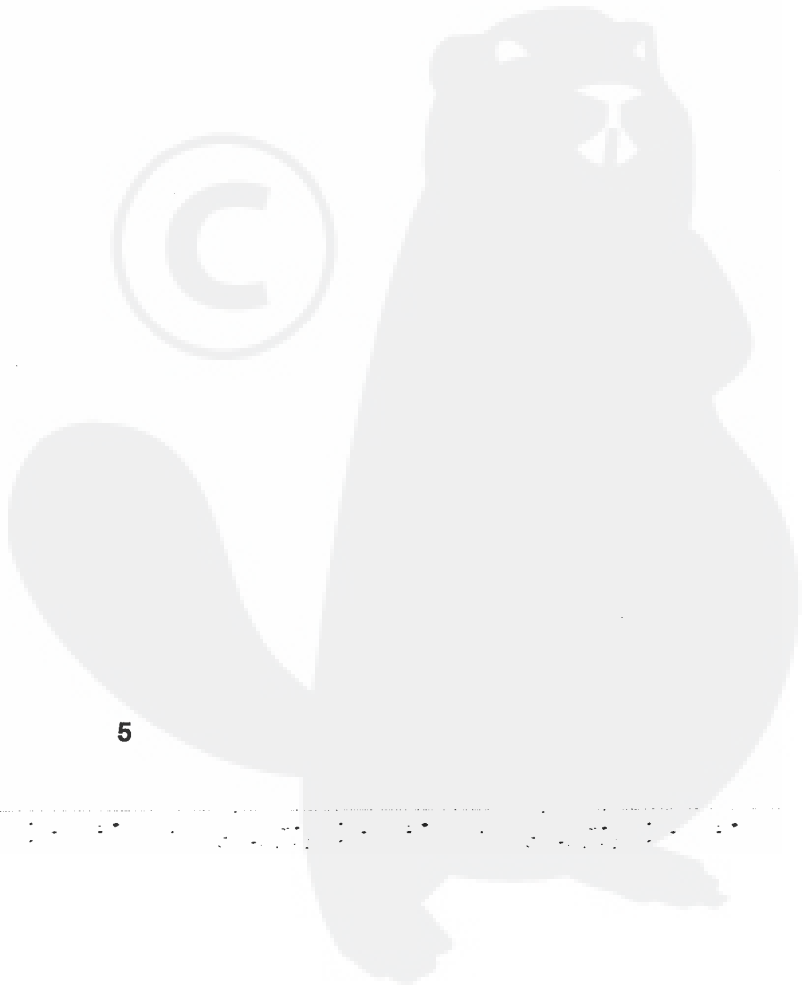
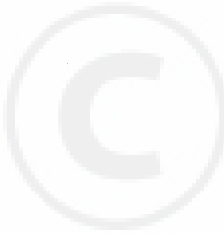


REPAIR PARTS

TRACTOR-MODEL NO. LZ145H107(96011007400), PRODUCT NO. 960 11 00-47
ELECTRICAL

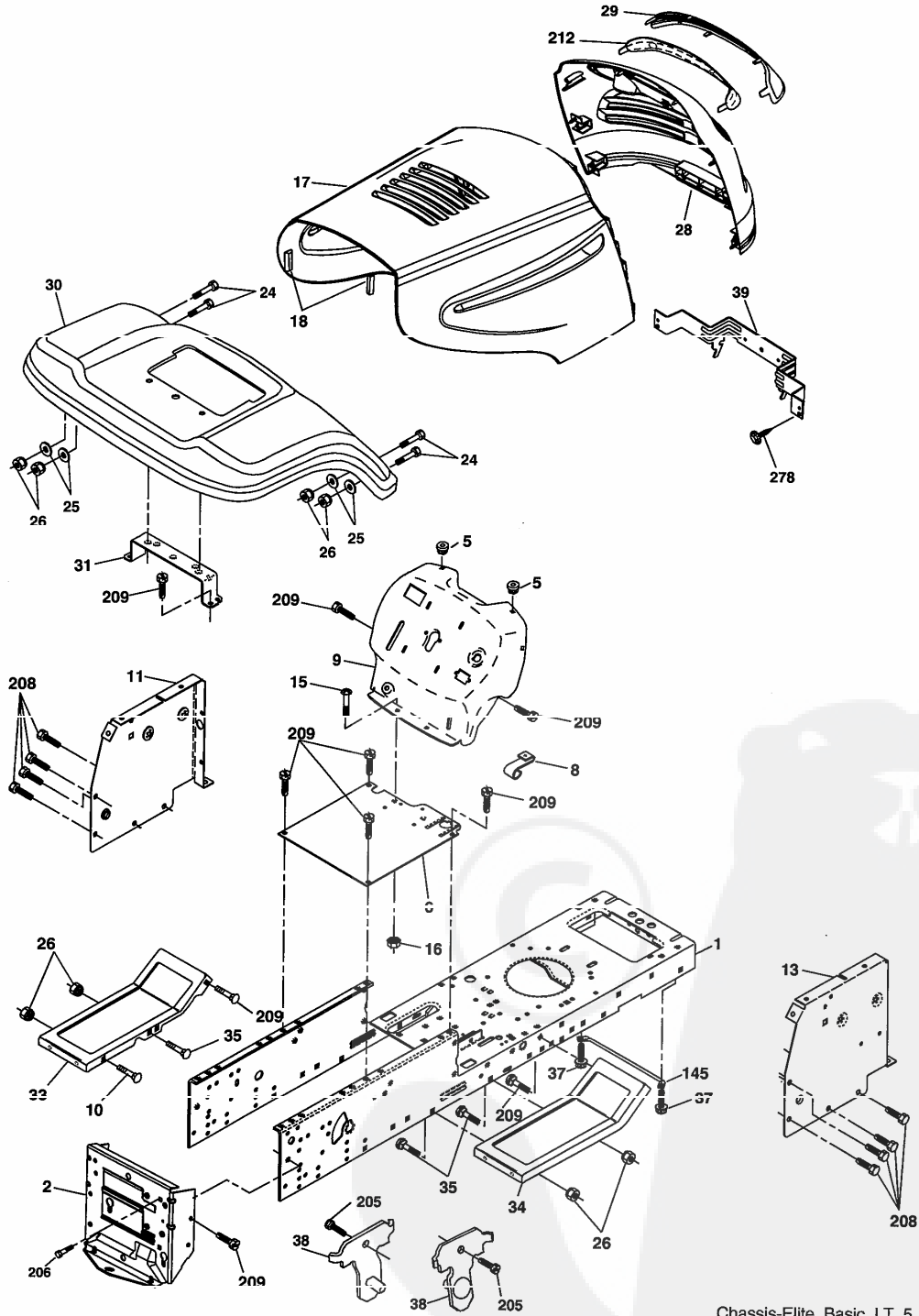
KEY NO.	PART NO.	DESCRIPTION
1	532 16 34-65	Battery 12 Volt 28 AMP
2	874 76 04-12	Bolt Hex Hd 1/4-20 unc x 3/4
8	532 17 66-89	Battery Box
16	532 17 61-38	Switch Interlock Push-In
21	532 18 37-59	Harness Asm Light W/4152j
22	532 00 41-52	Bulb Light #1156
24	532 12 47-80	Cable Battery 6 Ga. 11" red
25	532 14 61-47	Cable Battery 6 Ga. 44" red w/16 wire
26	532 17 51-58	Fuse 20 AMP
27	873 51 04-00	Nut Keps Hex 1/4-20 unc
28	532 12 47-73	Cable Ground 6 Ga. 12" black
29	532 12 13-05	Switch Plunger Nc Gray
30	532 17 55-66	Switch Ign
33	532 14 04-01	Key Ign Molded Generic
40	532 17 97-20	Harness Ign.
41	871 11 04-08	Bolt Blk Fin Hex 1/4 - 20 x 1/2
42	532 13 15 63	Cover Terminal Red
43	532 17 88-61	Solenoid
48	532 14 08-44	Adapter Ammeter Rectangular
52	532 14 19-40	Protection Wire Loop
90	532 18 04-49	Cover Terminal Battery

NOTE: All component dimensions given in U.S. inches.
1 inch = 25.4 mm.



REPAIR PARTS

TRACTOR-MODEL NO. LZ145H107(96011007400), PRODUCT NO. 960 11 00-47
CHASSIS AND ENCLOSURES



Chassis-Elite_Basic_LT_5

REPAIR PARTS

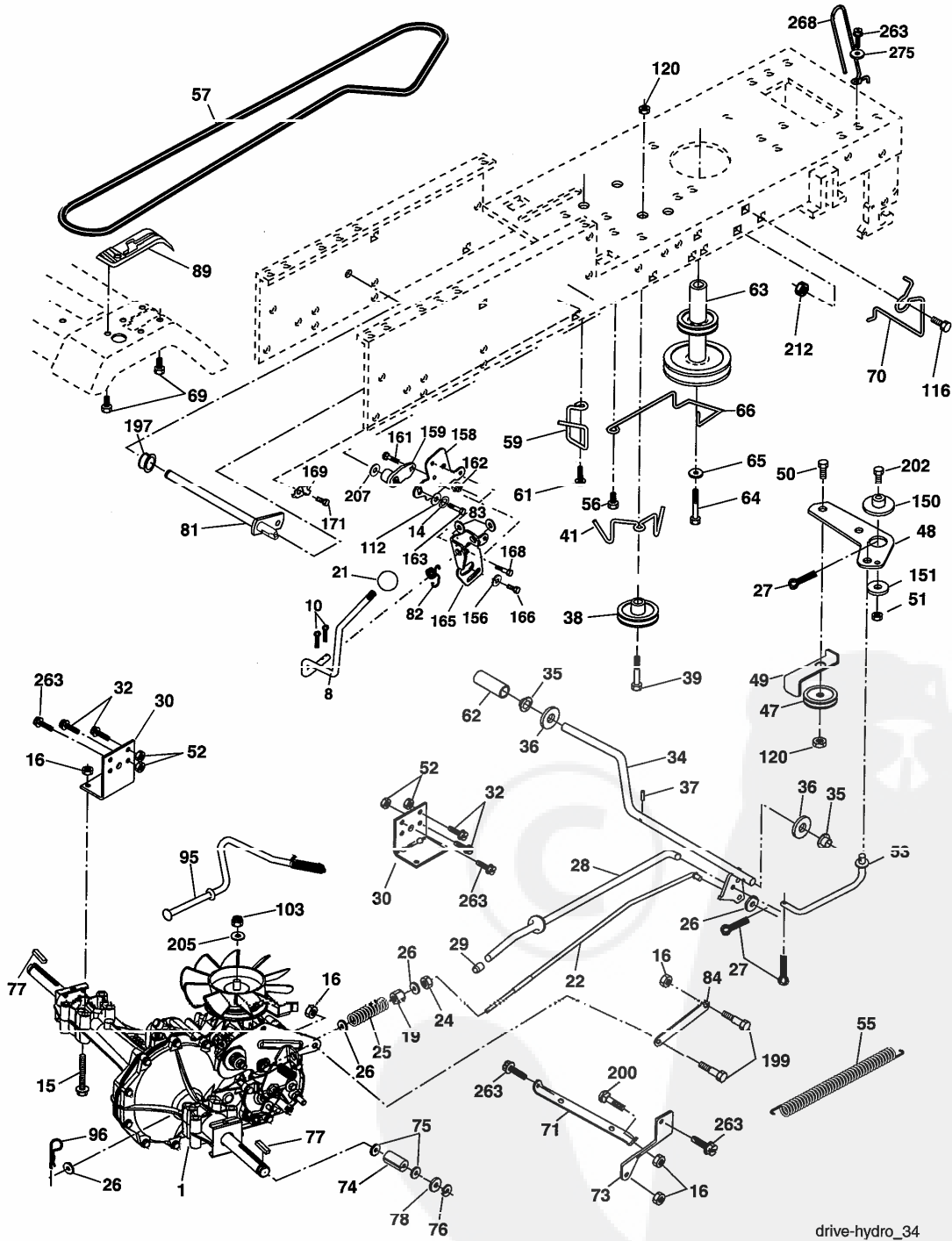
TRACTOR-MODEL NO. LZ145H107(96011007400), PRODUCT NO. 960 11 00-47
CHASSIS AND ENCLOSURES

KEY NO.	PART NO.	DESCRIPTION
1	532 17 46-20	Chassis Stamping
2	532 17 65-54	Drawbar
5	532 15 52-72	Bumper Hood/Dash
6	532 18 44-19	Saddle
8	532 15 51-38	Clip Retainer
9	532 19 46-88	Dash
10	872 14 06-08	Bolt Carriage 3/8-16 x 1
11	532 17 49-96	Dashboard, Panel LH
13	532 18 69-52	Dashboard, Panel RH
15	874 18 05-12	Screw Mach Thdr 5/16-18 unc x 3/4
16	873 51 05-00	Nut Keps 5/16-18 unc
17	532 18 67-07	Hood Pnt
18	532 18 49-21	Bumper Hood
24	874 78 06-16	Bolt Fin Hex 3/8-16 unc x 1 Gr. 5
25	819 13 13-12	Washer 13/32 x 13/16 x 12 Ga.
26	873 80 06-00	Nut Lock Hex W/Ins 3/8-16 unc
28	532 18 38-26	Grille Asm. (Includes key nos. 29 & 212)
29	532 18 98-37	Lens Grille
30	532 13 59-55	Fender
31	532 13 66-19	Bracket Fender
33	532 18 11-93	Footrest LH
34	532 18 11-94	Footrest RH
35	872 11 06-06	Bolt Rdhd Sqnk 3/8-16 x 3/4
37	817 49 05-08	Screw Thdrol 5/16-18 x 1/2 TYT
38	532 17 57-10	Bracket Asm Pivot Mower Rear
39	532 17 47-14	Bracket Pivot
145	532 15 65-24	Rod Pivot Chassis/Hood
205	817 49 06-08	Screw Thdrol 3/8 16 x 1/2
206	532 17 01-65	Bolt Shoulder 5/16-18 TT
208	817 67 06-08	Screw Thdrol 3/8-16 x 1/2 TYT BI
209	817 00 06-12	Screw Hexwsh Thdr 3/8-16 x 3/4
212	532 18 38-23	Insert Lens Reflect
278	532 19 16-11	Screw 10 x 3/4 Single Lead-Hex
--	532 00 54-79	Plug Button
--	532 19 39-35	Plug Switch Light

NOTE: All component dimensions given in U.S. inches
1 inch = 25.4 mm

REPAIR PARTS

TRACTOR-MODEL NO. LZ145H107(96011007400), PRODUCT NO. 960 11 00-47
DRIVE



drive-hydro_34

REPAIR PARTS

TRACTOR-MODEL NO. LZ145H107(96011007400), PRODUCT NO. 960 11 00-47
DRIVE

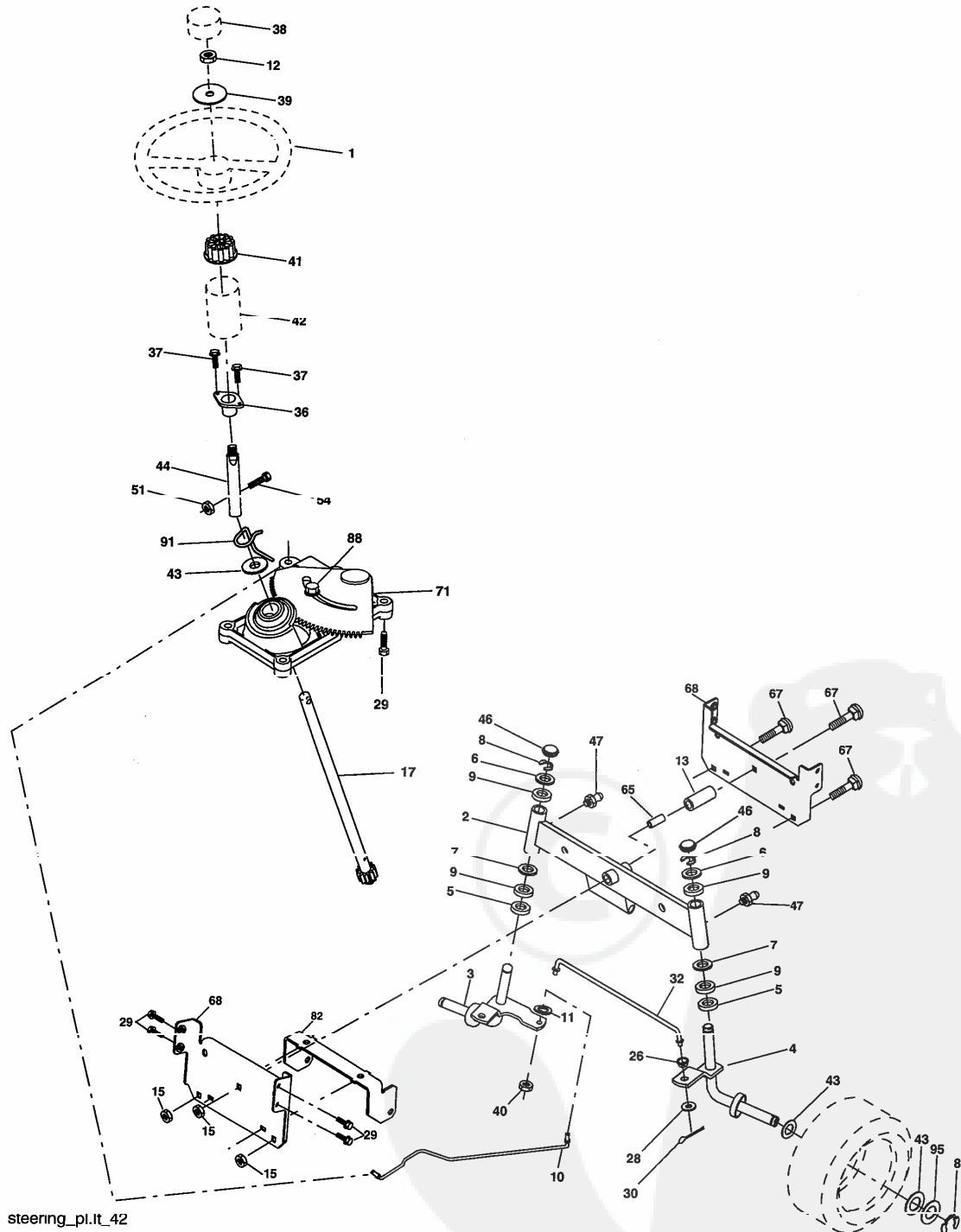
KEY NO.	PART NO.	DESCRIPTION
1	-----	Transaxle Hydro Gr 322-0510 (Order parts from transaxle manufacturer)
8	532 19 27-06	Rod Shift Fender
10	876 02 04-16	Pin Cotter 1/8 x 1 CAD
14	810 04 04-00	Washer Lock Hvy Helical 1/4
15	874 49 05-44	Bolt Hex Flg Hd 5/16-18 x Gr.5
16	973 90 05 00	Nut Lock Hex W/Ins. 5/16-18 unc P
19	873 80 06-00	Nut Lock Hex W/Wsh 3/8-16 unc
21	532 10 69-33	Knob
22	532 16 94-98	Rod, Brake Hydro
24	873 35 06-00	Nut
25	532 10 68-88	Spring, Brake Rod
26	819 13 13-16	Washer
27	876 02 04-12	Pin Cotter 1/8 x 3/4 CAD.
28	532 17 57-65	Rod, Parking Brake
29	532 07 16 70	Cap, Parking Brake
30	532 17 49-73	Bracket, Transaxle
32	874 76 05-12	Bolt Hex Hd 5/16-18 unc x 3/4
34	532 17 55-78	Shaft, Foot Pedal
35	532 12 01-83	Bearing, Nylon
36	819 21 16-16	Washer
37	532 12 49-63	Pin, Roll
38	532 17 91-14	Pulley, Idler, Composite
39	872 11 06-22	Bolt Fin Hex 3/8-16 unc x 2-3/4
41	532 17 55-56	Keeper, Belt Idler
47	532 12 77-83	Pulley, Idler, V-Groove
48	532 15 44-07	Bellcrank Clutch Grnd Drv Stl
49	532 12 32-05	Retainer, Belt
50	872 11 06-12	Bolt 3/8-16 unc x 1-1/2
51	873 68 06-00	Nut Crownlock 3/8-16
52	873 68 05-00	Nut Crownlock 5/16-18
53	532 10 57-10	Link, Clutch
55	532 10 57-09	Spring, Return, Clutch
56	874 76 06-20	Bolt Fin Hex 3/8-16 unc x 1-1/4
57	532 14 02-94	V-Belt, Ground Drive
59	532 16 96-91	Keeper, Center Span
61	817 12 06-14	Screw 3/8-16 x .875
62	532 12 48-72	Cover, Pedal
63	532 18 02-19	Pulley, Eng
64	532 17 39-37	Bolt Hex 7/16-20 x 4 Gr. 5-1.5
65	810 04 07-00	Washer
66	532 15 47-78	Keeper Belt Engine
69	532 14 24-32	Screw Hex Wsh 1/4-1/2 unc

KEY NO.	PART NO.	DESCRIPTION
70	532 18 02-18	Guide Belt Mower Drive RH
71	532 16 91-83	Strap Torque Lh Hydro
73	532 16 91-82	Strap Torque Rh Hydro
74	532 13 70-57	Spacer, Axle
75	532 12 17-49	Washer 25/32 x 1-1/4 x 16 Ga.
76	812 00 00-01	E-Ring
77	532 12 35-83	Key, Square
79	532 12 17-48	Washer 25/32 x 1-5/8 x 16 Ga.
81	532 16 55-96	Shaft Asm. Cross Hydro
82	532 16 57-11	Spring Torsion T/A
83	819 17 12-16	Washer 17/32 x 3/4 x 16 Ga.
84	532 16 98-43	Link Transaxle
89	532 19 49-72	Console, Shift
95	532 17 02-01	Control Asm Bypass Hydro
96	532 12 47-88	Retainer Spring 1" Zinc/Cad
103	873 94 08-00	Nut Hex Jam Toplock 1/2-20 unf
112	819 09 12 10	Washer 9/32 x 3/4 x 10 Ga.
116	872 14 06-08	Bolt 3/8-16 unc x 1
120	873 90 06-00	Nut Lock 3/8-16 unc
150	532 17 54-56	Spacer Retainer
151	819 13 32-10	Washer 13/32 x 2 x 10 Ga.
156	532 16 60-02	Washer Srtrd 5/16 ID x 1.0 x .125 Tk
158	532 16 55-89	Bracket Shift Mount
159	532 18 39-00	Hub Shift
161	872 14 04-06	Bolt Rdhd Sqnk 1/4-20 x 3/4 Gr. 5
162	873 68 04-00	Nut Crownlock 1/4 20 unc
163	874 78 04-16	Bolt Hex Fin 1/4-20 unc x 1 Gr. 5
165	532 16 56-23	Bracket Pivot Lever
166	817 49 05-10	Screw 5/16-18 x 5/8 TT Yellow
168	532 16 54-92	Bolt Shoulder 5/16-18 x .561 TT
169	532 16 55-81	Plate Fastening
171	817 49 06-08	Screw Thdrl 3/8-16 x 1/2
197	532 16 96-13	Nyliner Snap-In 5/8" ID
198	532 16 98-45	Washer Nyl
199	532 16 96-12	Bolt Shoulder 5/16-18 unc
200	872 14 05-08	Bolt Rdhd Sqnk 5/16-18 unc x 1
202	872 11 06-14	Bolt Carr Sh 3/8-16 x 1-3/4 Gr. 5
205	819 17 16-16	Washer 17/32 x 1 x 16 Ga.
212	532 14 52-12	Nut Hexflange Lock
263	817 00 06-12	Screw 3/8-16 x 3/4
268	532 18 24-02	Guard Muffler
275	819 13 16-14	Washer 13/32 x 1 x 14 Ga.

NOTE: All component dimensions given in U.S. inches
1 inch = 25.4 mm

REPAIR PARTS

TRACTOR-MODEL NO. LZ145H107(96011007400), PRODUCT NO. 960 11 00-47
STEERING ASSEMBLY



REPAIR PARTS

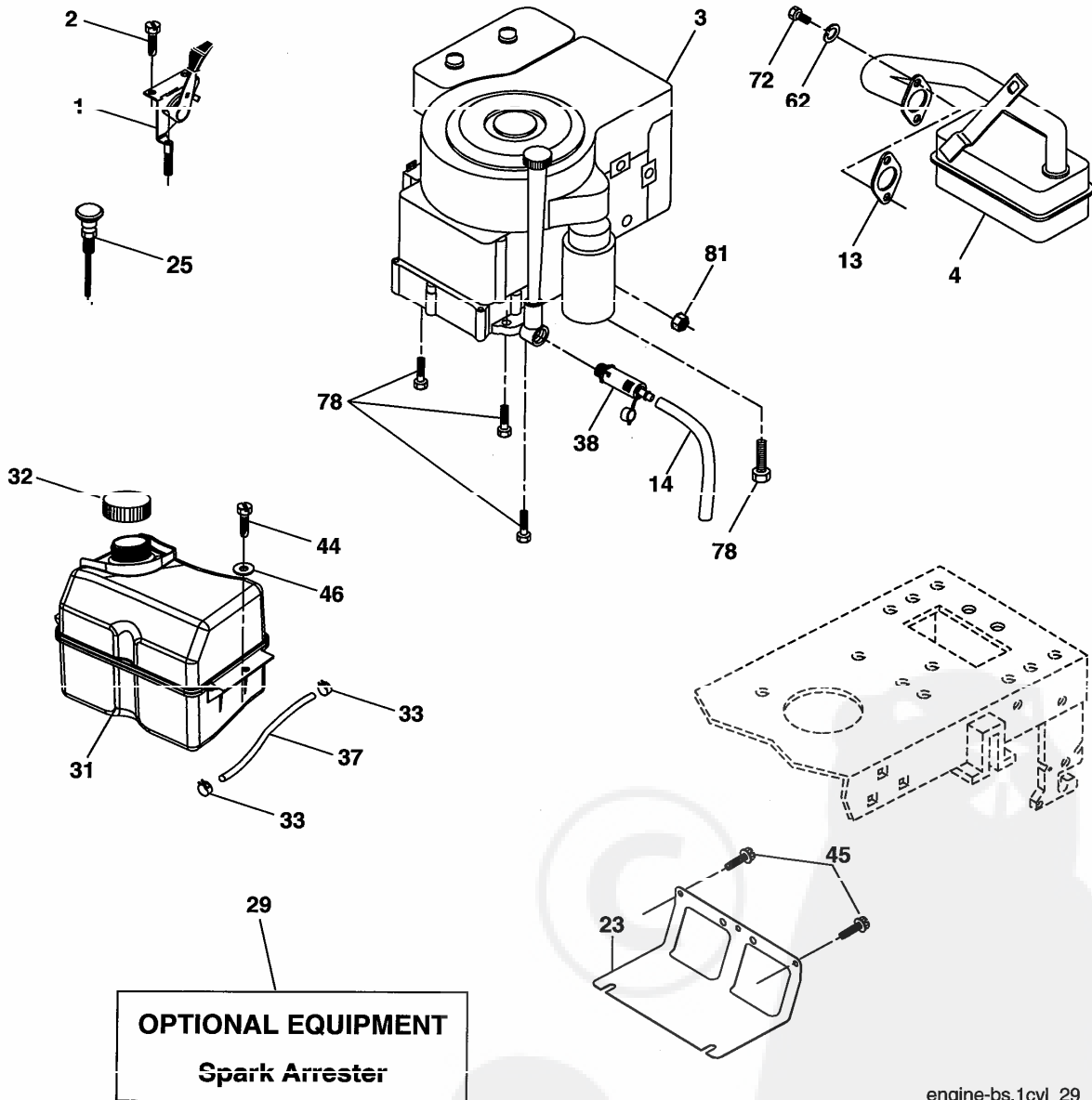
TRACTOR-MODEL NO. LZ145H107(96011007400), PRODUCT NO. 960 11 00-47
STEERING ASSEMBLY

KEY NO.	PART NO.	DESCRIPTION
1	532 18 67-80	Wheel Steering
2	532 17 51-31	Axle Asm
3	532 16 98-40	Spindle Asm LH
4	532 16 98-39	Spindle Asm RH
5	532 12 49-31	Bearing Race Thrust Harden
6	532 12 17-48	Washer 25/32 X 1-5/8 X 16 Ga
7	819 27 20-16	Washer 27/32 X 1-1/4 X 16 Ga
8	812 00 00-29	Ring Clip #15304-75
9	532 12 49-37	Bearing Col Strg Blk
10	532 17 51-21	Link Drag
11	810 04 06-00	Washer Lock Hvy Hlcl Spr 3/8
12	873 94 08-00	Nut Hex Jam Toplock 1/2-20 Unf
13	532 13 65-18	Spacer Brg Axle Front
15	532 14 52-12	Nut Hex Flange Lock
17	532 18 06-41	Shaft Asm Strg
26	532 12 68-47	Bushing Link Drag Blk LR
28	819 13 14-16	Washer 13/32 X 7/8 X 16 Ga
29	817 00 06-12	Screw 3/8-16x3/4
30	876 02 04-12	Pin Cotter 1/8 X 3/4 Cad
32	532 19 27-57	Rod Tie Wire Form 19 75 Mech
36	532 15 50-99	Bushing Strg
37	532 15 29-27	Screw
38	532 19 29-16	Cap Strg Wh
39	819 18 38-12	Washer 9/16- 2-3/8
40	873 54 06-00	Lock nut
41	532 18 67-37	Adaptor Wheel Strg
42	532 16 96-33	Boot Steering Shaft
43	532 12 17-49	Washer 25/32 X 1-1/4 X 16 Ga
44	532 18 06-40	Extension Steering Shaft LR/LT
46	532 12 12-32	Cap Spindle Fr Top Blk
47	532 18 32-26	Fitting Grease
51	873 54 04-00	Nut Crownlock 1/4-28
54	871 13 04-20	Bolt Hex 1/4-28unf x 1-1/4 Gr. 8
65	532 16 03-67	Spacer Brace Axle
67	872 11 06-18	Bolt, Rdhd Sqnk 3/8-16 x 2-1/4
68	532 16 98-27	Axle, Brace
71	532 17 51-46	Steering Asm.
82	532 16 98-35	Bracket Susp Chassis Front
88	532 17 51-18	Bolt Shoulder 7/16-20
91	532 17 55-53	Clip Steering
95	532 18 89-67	Washer Hardened

NOTE: All component dimensions given in U.S. inches.
1 inch = 25.4 mm.

REPAIR PARTS

TRACTOR-MODEL NO. LZ145H107(96011007400), PRODUCT NO. 960 11 00-47
ENGINE



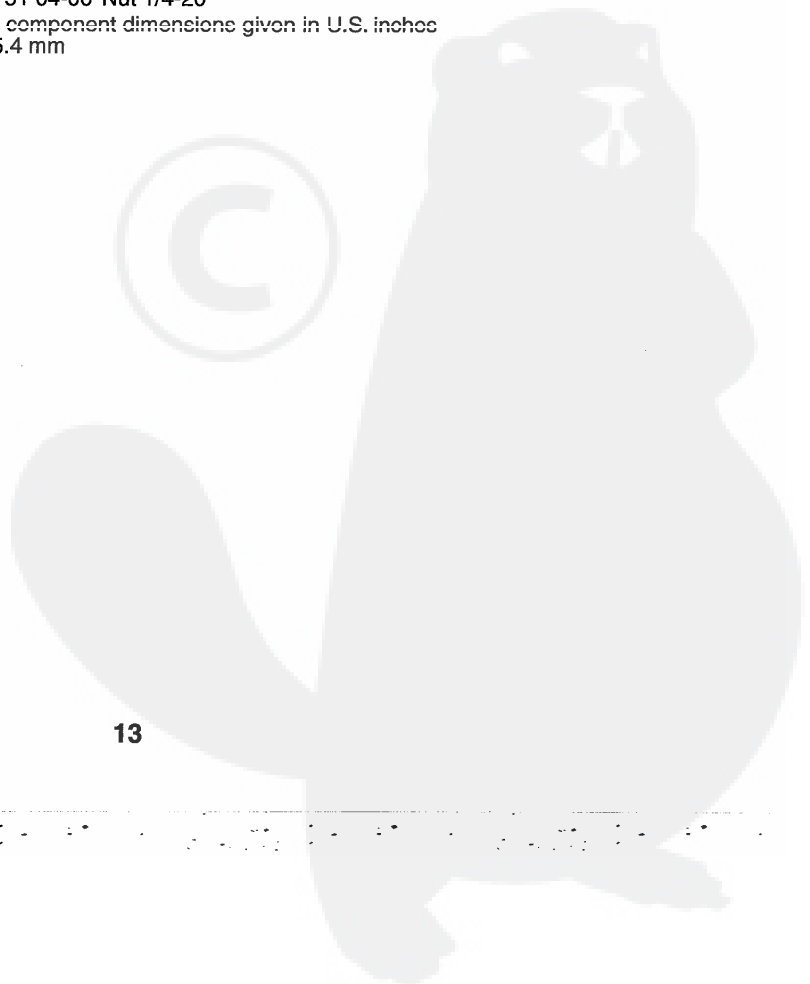
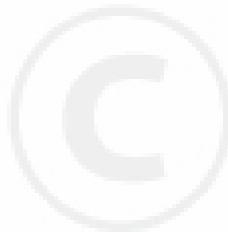
engine-bs.1cyl_29

REPAIR PARTS

TRACTOR-MODEL NO. LZ145H107(96011007400), PRODUCT NO. 960 11 00-47
ENGINE

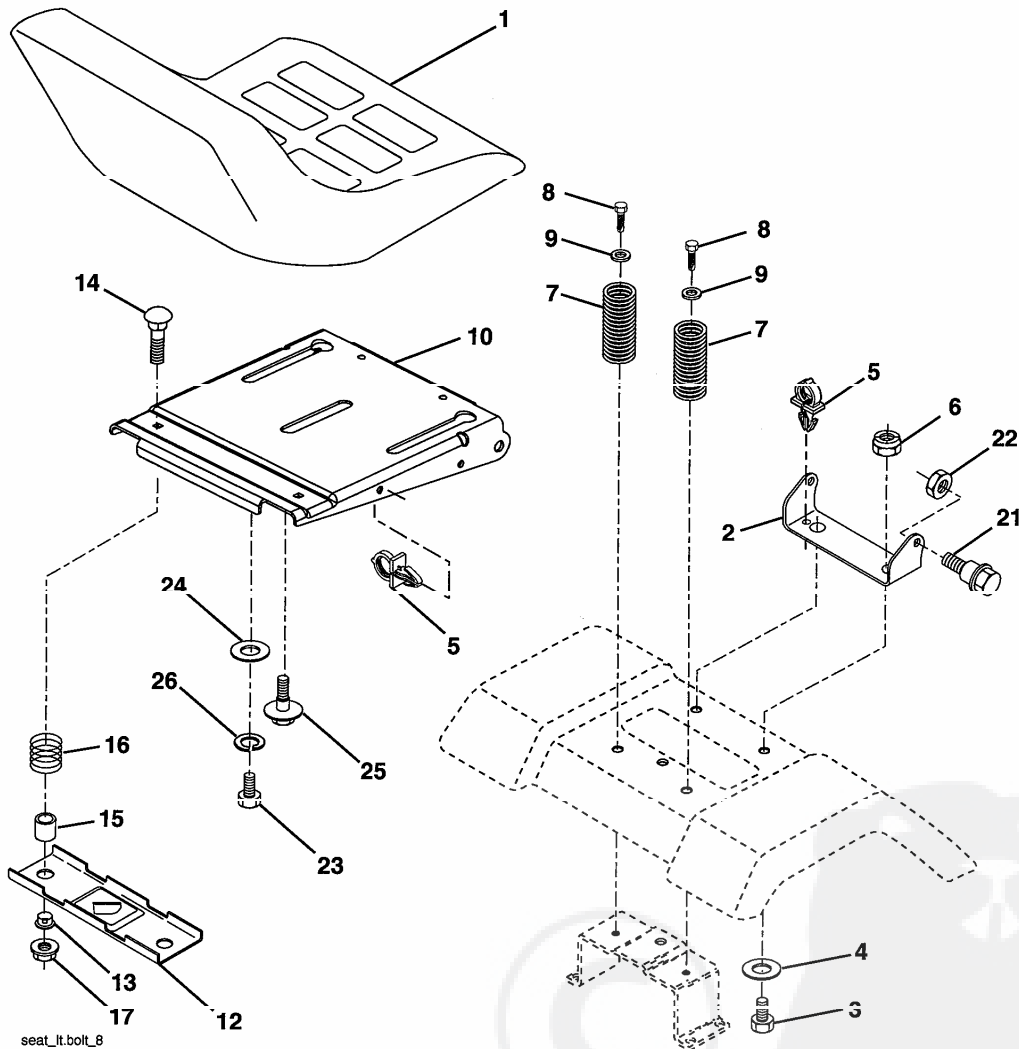
KEY NO.	PART NO.	DESCRIPTION
1	532 17 05-51	Control Throttle/Choke
2	817 72 04-08	Screw Hex Thd Cut 1/4-20 x 1/2
3	-----	Engine B&S Model No. 280H07 (Order Parts From Engine Manufacturer)
4	532 13 73-52	Muffler
13	532 16 52-91	Gasket Eng 1 313 Id Tin Plated
14	532 14 84-56	Tube Drain Oil Easy
23	532 16 98-37	Shield Brn/Dbr Guard
25	532 19 06-95	Control Choke
29	532 13 71-80	Kit Spark Arrestor (Flat Scrn)
31	532 18 55-34	Tank Fuel
32	532 14 05-27	Cap Asm Fuel W/sym Vented
33	532 12 34-87	Clamp Hose Black
37	532 13 70-40	Line Fuel 20"
38	532 18 16-54	Plug Drain Oil Easy
44	817 67 04-12	Screw Hexwsh Thdrol 1/4-20 x 3/4
45	817 00 06-12	Screw Hex Wsh Thdrol 3/8-16 x 3/4
46	819 09 14-16	Washer 9/32 X 7/8 X 16 Ga
62	810 01 05-00	Washer Split
72	871 07 05-12	Screw 1/4-20 x 3/4
78	817 06 06-20	Screw 3/8-16x1-1/4
81	873 51 04-00	Nut 1/4-20

NOTE: All component dimensions given in U.S. inches
1 inch = 25.4 mm



REPAIR PARTS

TRACTOR-MODEL NO. LZ145H107(96011007400), PRODUCT NO. 960 11 00-47
SEAT ASSEMBLY



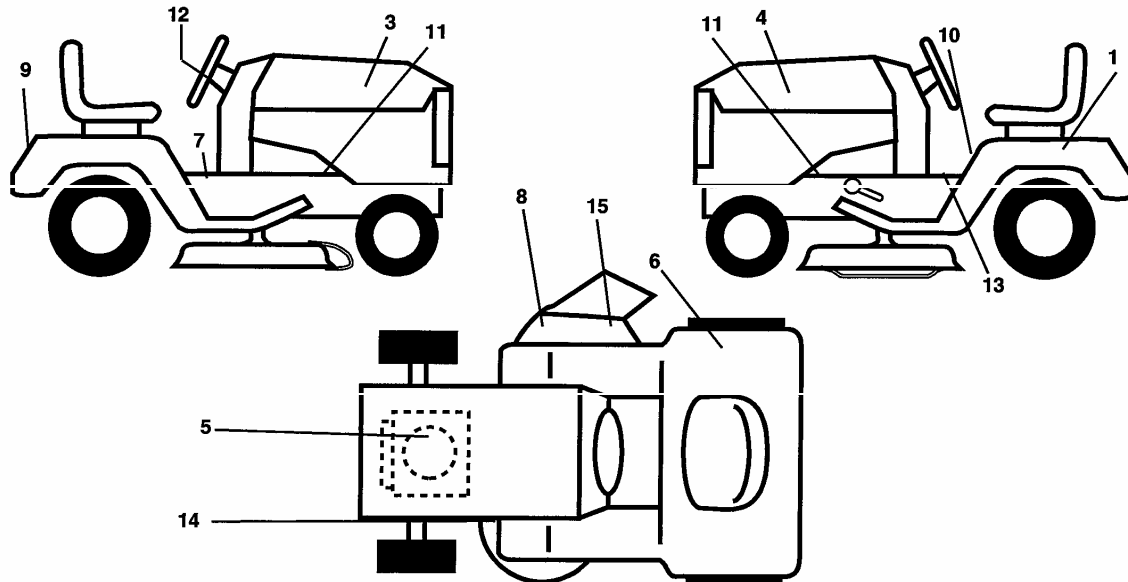
KEY NO.	PART NO.	DESCRIPTION
1	532 18 87-05	Seat
2	532 18 01-66	Bracket Pivot Fender
3	871 11 06-16	Bolt Fin Hex 3/8-16 unc x 1
4	819 13 16-10	Washer 13/32 x 1 x 10 Ga.
5	532 14 50-06	Clip Push-In
6	873 80 06-00	Nut Hex w/Ins. 3/8-16 unc
7	532 12 41-81	Spring Seat Cprsn 2 250 Blk Zi
8	817 00 06-16	Screw 3/8-16 x 1-1/2
9	819 13 16-14	Washer 13/32 x 1 x 14 Ga.
10	532 18 01-86	Pan Seat
12	532 12 12-46	Bracket Mounting Switch
13	532 12 12-48	Bushing Snap Blk Nyl 50 Id

KEY NO.	PART NO.	DESCRIPTION
14	872 05 04-12	Bolt Rdhd Sqnk 1/4-20 x 1-1/2
15	532 13 43-00	Spacer Split 28x 96 Yel Zinc
16	532 12 12-50	Spring Cprsn 1 2/ BIK Pnt
17	532 12 39-76	Nut Lock 1/4 Lge Flg Gr. 5 Zinc
21	532 17 18-52	Bolt Shoulder 5/16-18 unc
22	873 80 05-00	Nut Hex Lock W/Ins 5/16-18
23	871 11 08-14	Bolt Hex
24	819 17 19-12	Washer 17/32 x 1-3/16 x 12 Ga.
25	532 12 70-18	Bolt Shoulder 5/16-18 x 62
26	810 04 08-00	Washer Lock Hvy HLCL SPR 1/2

NOTE: All component dimensions given in U.S. inches.
1 inch = 25.4 mm

REPAIR PARTS

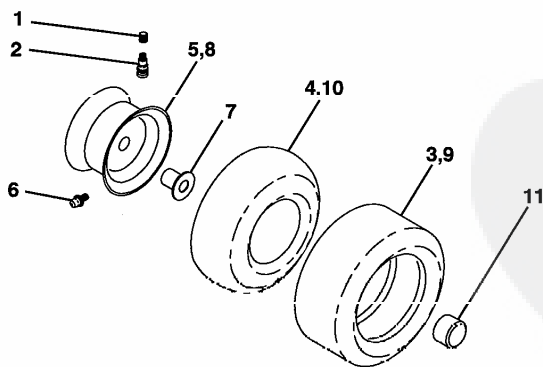
TRACTOR-MODEL NO. LZ145H107(96011007400), PRODUCT NO. 960 11 00-47
DECALS



KEY NO.	PART NO.	DESCRIPTION
1	532 14 50-05	Decal Battery Danger
3	532 19 57-02	Decal Hood RH
4	532 19 57-03	Decal Hood LH
5	532 18 47-67	Decal HP Engine
6	532 18 04-32	Decal Fender 100 DB/CE
7	532 14 08-37	Decal Saddle Brake
8	532 17 91-28	Decal Deck "B" 42"
9	532 19 56-99	Decal Fender
10	532 14 54-98	Decal Read Owner's Manual Syms.
11	532 15 97-36	Decal Chassis Hot Muffler
12	532 19 56-98	Decal Wheel Steering

KEY NO.	PART NO.	DESCRIPTION
13	532 15 97-37	Decal Brake/Clutch Symbol LT
14	532 16 03-96	Decal V-Belt Schematic
15	532 18 21-66	Decal Mower Cuttingfnger Symbol
--	532 16 25-98	Decal Drawbar Load Limit
--	532 16 69-60	Decal By-Pass
--	532 13 83-11	Decal Handle Lft Height Adjust
--	532 18 10 90	Pad Footrest RH
--	532 18 10-91	Pad Footrest LH
--	532 18 52-36	Manual Operator's (Euro.)
--	532 18 52-37	Manual Operator's (Scand.)
--	532 19 57-63	Manual Parts

WHEELS & TIRES



KEY NO.	PART NO.	DESCRIPTION
1	532 05 91-92	Cap Valve Tire
2	532 06 51-39	Stem Valve
3	532 12 41-57	Tire F Ts 15 X 6 0 - 6 Service
4	532 05 99-04	Tube Front (Service Item Only)
5	532 18 33-37	Rim Asm 6"front Service
6	532 12 49-57	Fitting Grease (Front Wheel Only)
7	532 12 49-59	Bearing Flange (Front Wheel Only)
8	532 18 33-38	Rim Asm 8"rear Service
9	532 12 36-69	Tire R Ts 18 x 8.5-8 C Service
10	532 12 49-26	Tube Rear (Service Item Only)
11	532 17 50-39	Cap Axle Blk 1 50 X 1 00
--	532 14 43-34	Sealant, Tire (10 oz. Tube)

NOTE: All component dimensions given in U.S. inches
1 inch = 25.4 mm

REPAIR PARTS

TRACTOR-MODEL NO. LZ145H107(96011007400), PRODUCT NO. 960 11 00-47
MOWER DECK

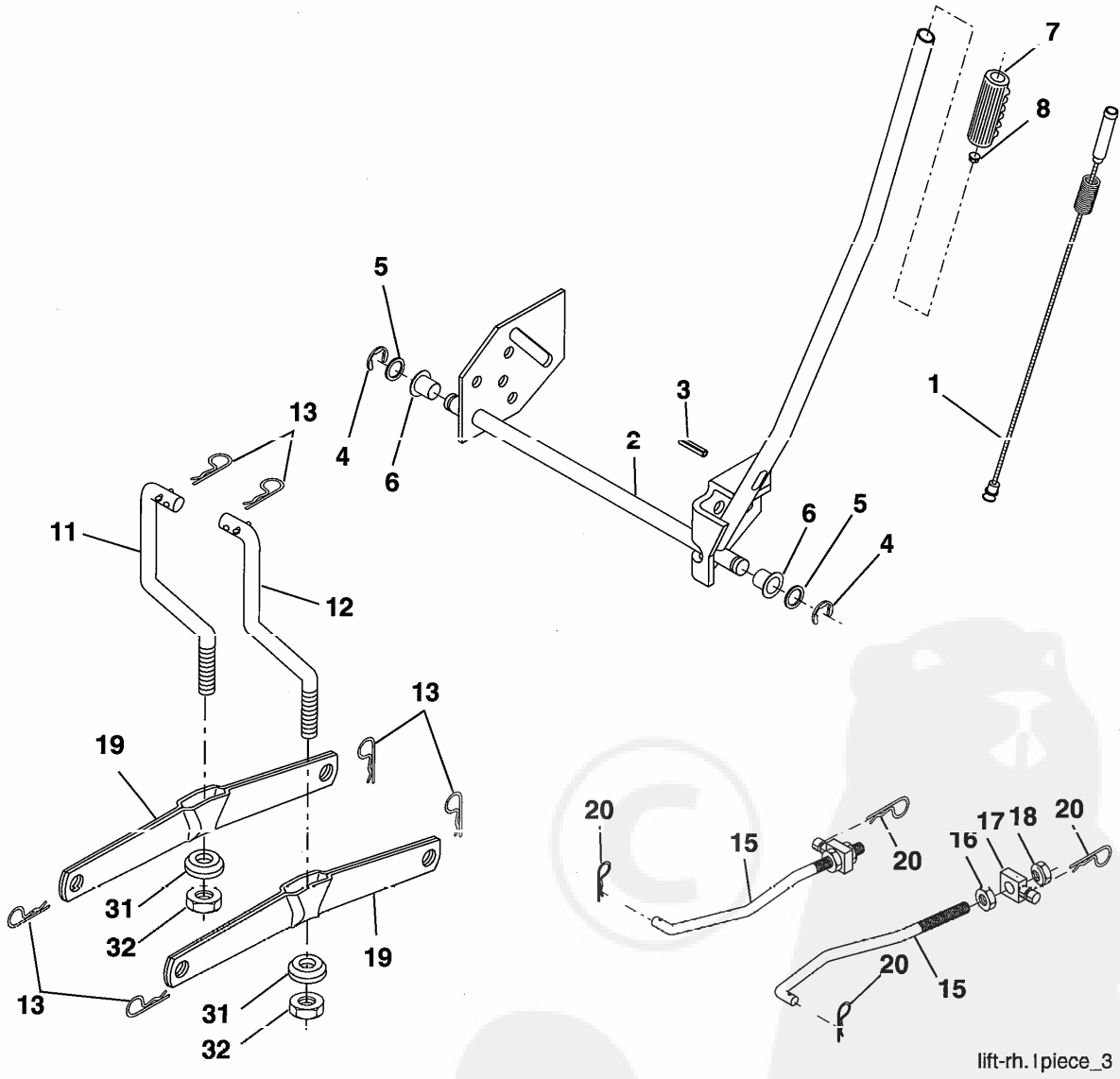
KEY NO.	PART NO.	DESCRIPTION
1	532 16 58-92	Deck Asm MWR 42"weldment
2	872 14 05-06	Bolt Rdhd Sqnk 5/16-18 unc x 3/4
3	532 13 80-17	Bracket Asm Fr Sway Bar 38/42
4	532 16 54-60	Bracket Asm Deck 42"sway Bar
5	532 12 46-70	Retainer Spring
6	532 17 80-24	Bar Sway Deck
8	532 85 08-57	Bolt 3/8 - 24 x 1.25 Gr. 8
9	810 03 06-00	Washer Lock Hvy 3/8
10	532 14 02 06	Washer Hard Blade Mower Vented
11	532 13 89-71	Blade Mower 42"
13	532 13 76-45	Shaft Asm W/lower Bearing
14	532 12 87-74	Housing Mandrel Vented
15	532 11 04-85	Bearing Ball Mandrel
16	532 17 44-93	Stripper Mower Vented
18	872 14 05-05	Bolt Rdhd Sqnk 5/16-18 x 5/8
19	532 13 28-27	Bolt Shoulder
20	532 15 97-70	Baffle Vortex 42
21	070 00 05-00	Nut Crownlock 5/10-18 unc
23	532 17 75-63	Bracket Deflector Mower 42"
24	532 10 53-04	Cap Sleeve 80x 112 Blk Mower
25	532 12 37-13	Spring Torsion Deflector 2 52
26	532 11 04-52	Nut Push Phos & Oil
27	532 17 18-59	Shield Deflector Mower 42" Blk
28	819 11 10-16	Washer 11/32 x 5/8 x 16 Ga.
29	532 13 14-91	Rod Hinge 42"6 75 Wlg
30	532 17 39-84	Screw Thd Rolling Washer Head
31	532 18 76-90	Washer Spacer
32	532 15 35-35	Pulley Mandrel 42"
33	532 17 83-42	Nut 9/16 Toplock Flng Oil Dip
34	872 11 06-12	Bolt Rdhd 3/8-16 unc x 1-1/2 Gr. 5
36	532 13 14-94	Pulley Idler Flat 3 060
37	819 13 13-16	Washer 13/32 x 13/16 x 16
40	873 90 06-00	Nut lock 3/8-16 unc

KEY NO.	PART NO.	DESCRIPTION
44	532 14 00-88	Guard Mandrel LH Black
45	532 12 47-88	Spring Retainer 1" Zinc/cad
46	532 13 77-29	Screw Hex Thd Cut 1/4-20 x 5/8 T
48	532 13 39-44	Washer Hardened Smaller
52	532 13 98-88	Bolt Shoulder 5/16-18 unc Blkz
53	532 18 49-07	Arm Asm Pad Brake
54	532 17 85-15	Washer Hardened
55	532 15 50-46	Arm Idler 42"mower LT/YT
56	532 16 57-23	Spacer Retainer Mower
59	532 14 10-43	Guard TUV Idler
67	532 10 69-32	Knob Rd 3/8-16 Plstc Thds Blk
68	532 18 02-15	V-Belt Mower 42"
142	532 16 58-90	Arm Spring Brake Mower
143	532 15 71-09	Bracket Arm Idler 42"
144	532 15 86-34	Keeper Belt 42" Clutch Idler
145	532 16 58-88	Pulley Idler Flat
146	532 17 19-77	Bolt Carriage Idler
147	532 17 97-46	Spring Extension
148	532 16 90-22	Spring Return Idler
149	532 16 98-98	Retainer Spring Yellow
150	819 09 12-10	Washer 9/32 x 3/4 x 10 Ga.
152	532 18 15-55	Clutch Cable 42"
158	817 72 04-08	Screw Hex Thd Cut 1/4-20 x 1/2
159	872 14 06-14	Bolt Rdhd Sqnk 3/8-16 unc x 1-3/4
184	819 13 14-10	Washer 13/32 x 7/8 x 10 Ga.
185	532 18 82-34	Head Assembly Cable Clutch
--	532 13 07-94	Mandrel Asm Service (includes Housing, Shaft and Shaft Hardware Only-Pulley Not Included)
--	532 18 19-25	Replacement Mower, Complete

NOTE: All component dimensions given in U.S. inches
1 inch = 25.4 mm

REPAIR PARTS

TRACTOR-MODEL NO. LZ145H107(96011007400), PRODUCT NO. 960 11 00-47
MOWER LIFT



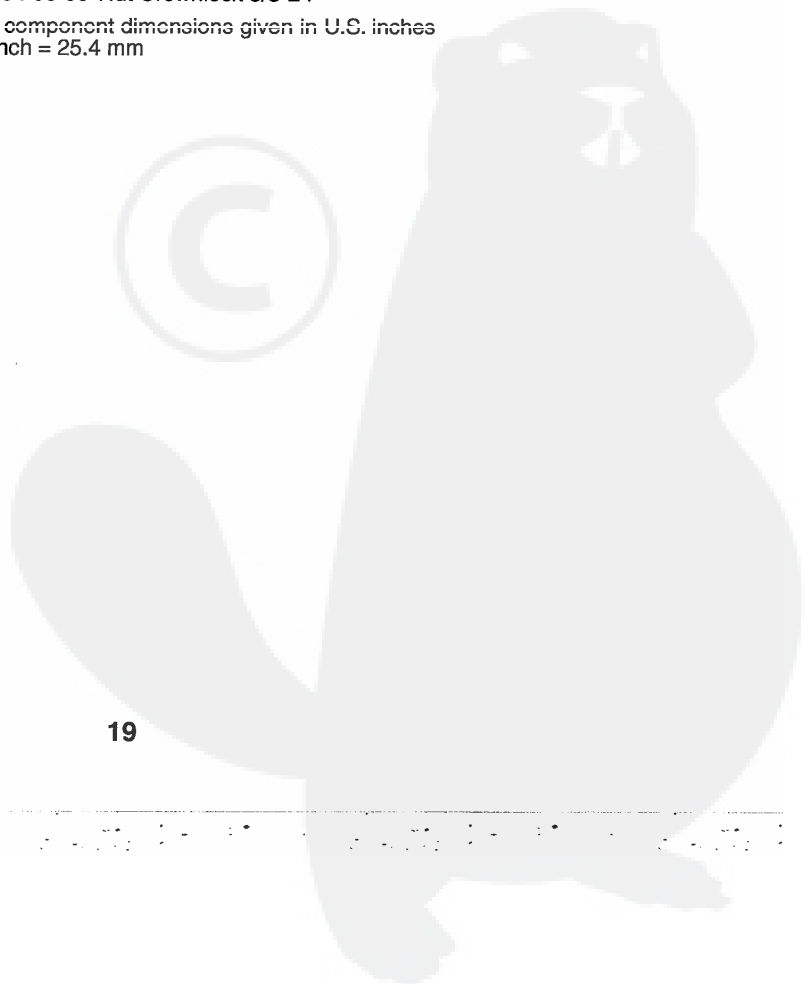
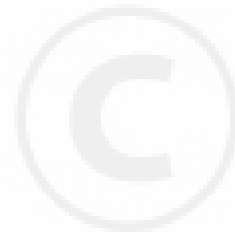
lift-rh.1piece_3

REPAIR PARTS

TRACTOR-MODEL NO. LZ145H107(96011007400), PRODUCT NO. 960 11 00-47
MOWER LIFT

KEY NO.	PART NO.	DESCRIPTION
1	532 15 94-61	Wire Asm Inner W/plunger 17 32
2	532 15 94-76	Shaft Asm Lift LH Inf Hgt P/L
3	532 18 88-22	Pin Groove
4	812 00 00-02	E Ring #5133-62
5	819 21 16-21	Washer 21/32 x 1 x 21 Ga.
6	532 12 01-83	Bearing Nylon Blk 629 Id
7	532 10 94-13	Grip Handle
8	532 12 45-26	Button Plunger
11	532 13 98-65	Link Lift LH
12	532 13 98-66	Link Lift RH
13	532 12 46-70	Retainer Spring
15	532 17 32-88	Link Front
16	873 35 08-00	Nut Jam Hex 1/2-13 unc
17	532 17 56-89	Trunnion Blk Zinc
18	873 80 08-00	Nut Lock W/wsh 1/2-13 unc
19	532 13 98-68	Arm Suspension Rear
20	532 16 35-52	Retainer Spring
31	532 16 98-65	Bearing pvt. Lift
32	873 54 06-00	Nut Crownlock 3/8-24

NOTE: All component dimensions given in U.S. inches
1 inch = 25.4 mm



LIMITED WARRANTY

The Manufacturer warrants to the original consumer purchaser that this product as manufactured is free from defects in materials and workmanship. For a period of one (1) year from date of purchase by the original consumer purchaser, we will repair or replace, at our option, without charge for parts or labor incurred in replacing parts, any part which we find to be defective due to materials or workmanship. This Warranty is subject to the following limitations and exclusions.

1. This warranty does not apply to the engine. Please contact your nearest dealer where they will send the machine to the engine manufacturer.
2. Transportation charges for the movement of any power equipment unit or attachment are the responsibility of the purchaser. Transportation charges for any parts submitted for replacement under this warranty must be paid by the purchaser unless such return is requested by your dealer.
3. Battery Warranty: On products equipped with a Battery, we will replace, without charge to you, any battery which we find to be defective in manufacture, during the first ninety (90) days of ownership. After ninety (90) days, we will exchange the Battery, charging you 1/12 of the price of a new Battery for each full month from the date of the original sale. Battery must be maintained in accordance with the instructions furnished.
4. The Warranty period for any products used for rental or commercial purposes is limited to 90 days from the date of original purchase.
5. This Warranty applies only to products which have been properly assembled, adjusted, operated, and maintained in accordance with the instructions furnished. This Warranty does not apply to any product which has been subjected to alteration, misuse, abuse, improper assembly or installation, delivery damage, or to normal wear of the product.
6. Exclusions: Excluded from this Warranty are belts, blades, blade adapters, normal wear, normal adjustments, standard hardware and normal maintenance.
7. In case of any problem within the boundaries of this warranty, contact the nearest department store, indicate the model number, serial number and the date of purchase of your machine. This warranty does not apply to accidental damages. All implicit warranties are limited to the same time frames. Or contact:

E.M. Services
54 Rue Lambrechts
92400 Courbevoie
France
Telephone: (1) 46678078
Fax: (1) 46678095

THIS WARRANTY DOES NOT APPLY TO INCIDENTAL OR CONSEQUENTIAL DAMAGES. ANY IMPLIED WARRANTIES ARE LIMITED TO THE SAME TIME PERIODS STATED HEREIN.



LAZER[®]