

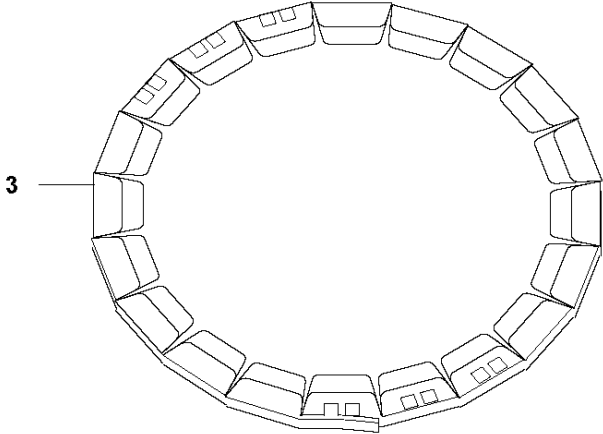
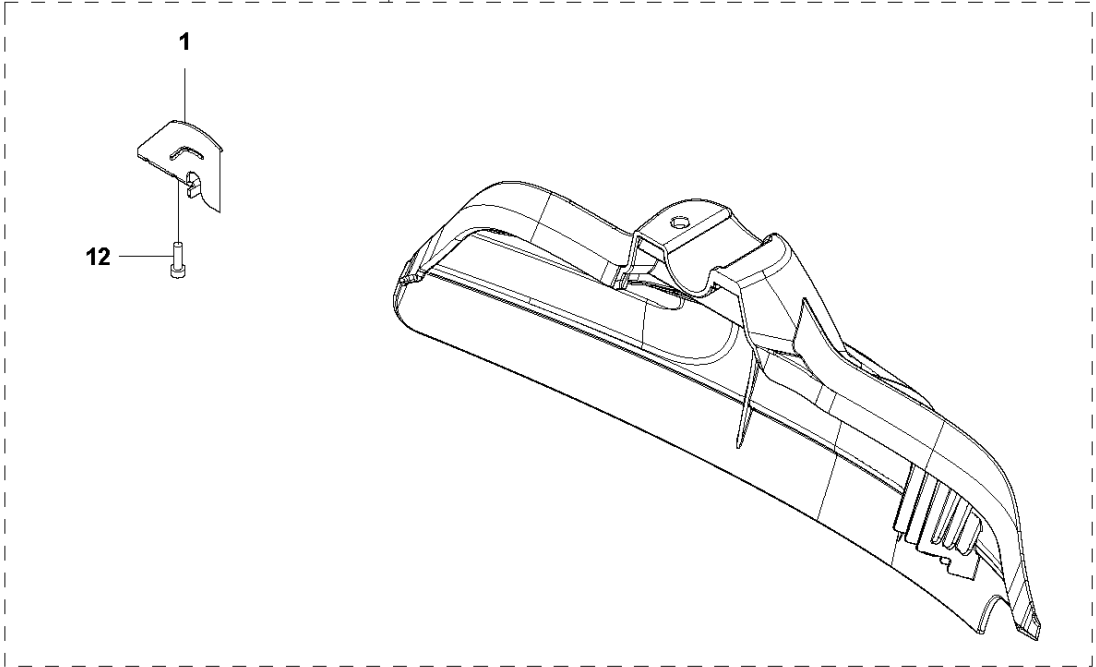
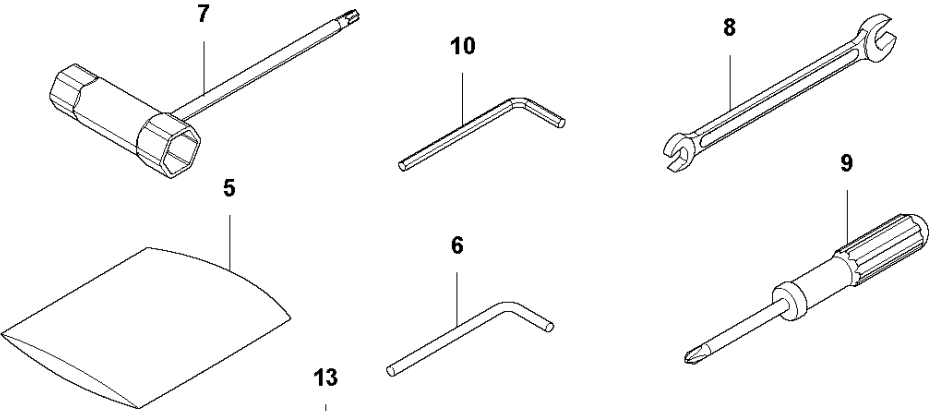


SPARE PARTS LIST

BRUSHCUTTERS/CLEARING SAWS

B40 B, 966778701, 966778702, 2012-04

R B40B
ACCESSORIES

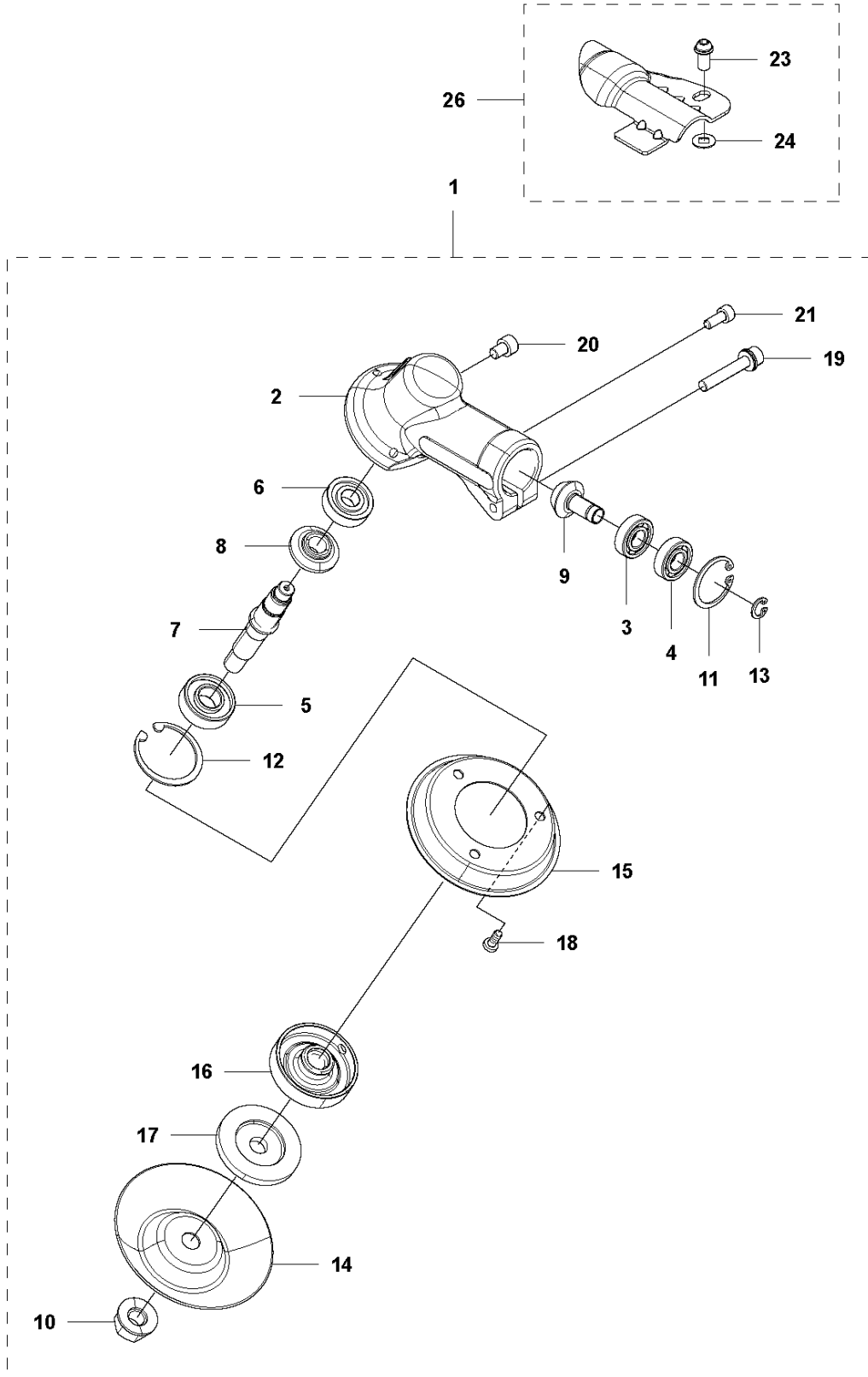


ACCESSORIES

B40 B, 966778701, 966778702, 2012-04

Ref	Part no.	Description	Remark	Qty	Kit
1	530 05 22-86	BLADE		1	13
3	574 35 23-01	COVER		2	
5	506 74 41-01	BAG		1	
6	580 30 91-01	BAR		1	
7	521 53 31-01	SOCKET		1	
8	506 61 50-01	SPANNER		1	
9	506 68 95-01	DRIVER		1	
10	580 47 70-01	WRENCH		1	
12	530 01 58-14	SCREW		2	13
13	580 30 50-01	SHIELD		1	

A B40B
BEVEL GEAR

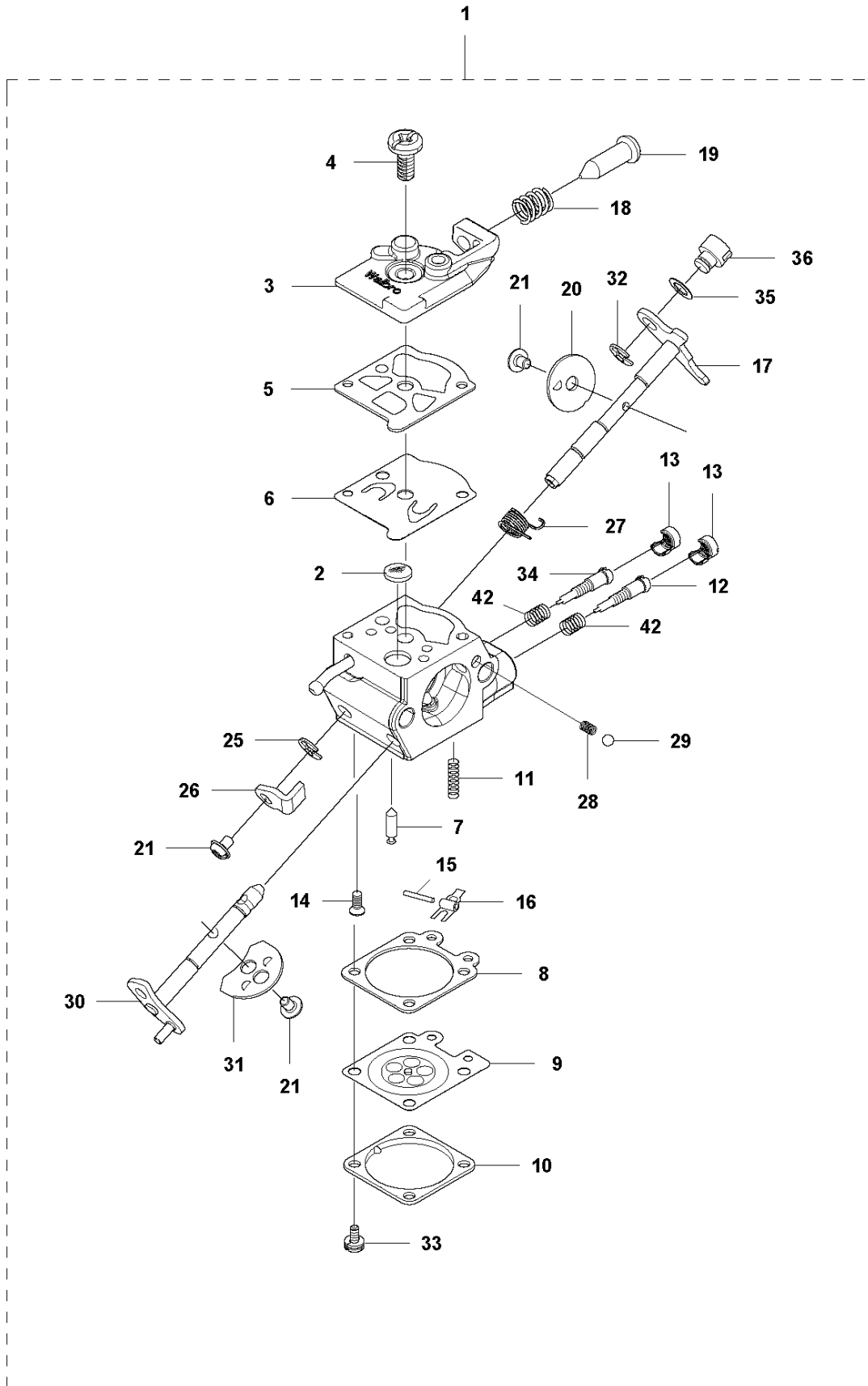


BEVEL GEAR

B40 B, 966778701, 966778702, 2012-04

Ref	Part no.	Description	Remark	Qty	Kit
1	578 33 33-01	GEAR CASE		1	
2	579 00 65-01	GEAR CASE		1	1, 25
3	505 16 92-01	BEARING		1	1, 25
4	505 16 93-01	BEARING		1	1, 25
5	510 56 97-01	BEARING		1	1, 25
6	579 06 41-01	BEARING		1	1, 25
7	579 00 69-01	SHAFT		1	1, 25
8	579 00 72-01	GEAR		1	1, 25
9	579 00 73-01	PINION		1	1, 25
10	581 31 54-01	NUT		1	1
11	505 16 94-01	LOCK RING		1	1, 25
12	504 12 10-01	SNAP RING		1	1, 25
13	521 82 18-01	RING		1	1, 25
14	579 00 66-01	COVER		1	1
15	579 00 67-01	COVER		1	1, 25
16	579 00 71-01	HOLDER		1	1
17	579 00 70-01	HOLDER		1	1
18	510 46 46-01	SCREW		3	1, 25
19	521 86 23-01	BOLT		1	1
20	521 86 20-01	BOLT		1	1, 25
21	521 86 11-01	BOLT		1	1
23	530 01 57-71	SCREW		1	26
24	575 67 73-01	LOCK WASHER		1	26
26	579 21 69-01	BRACKET		1	

Q B40B
CARBURETOR

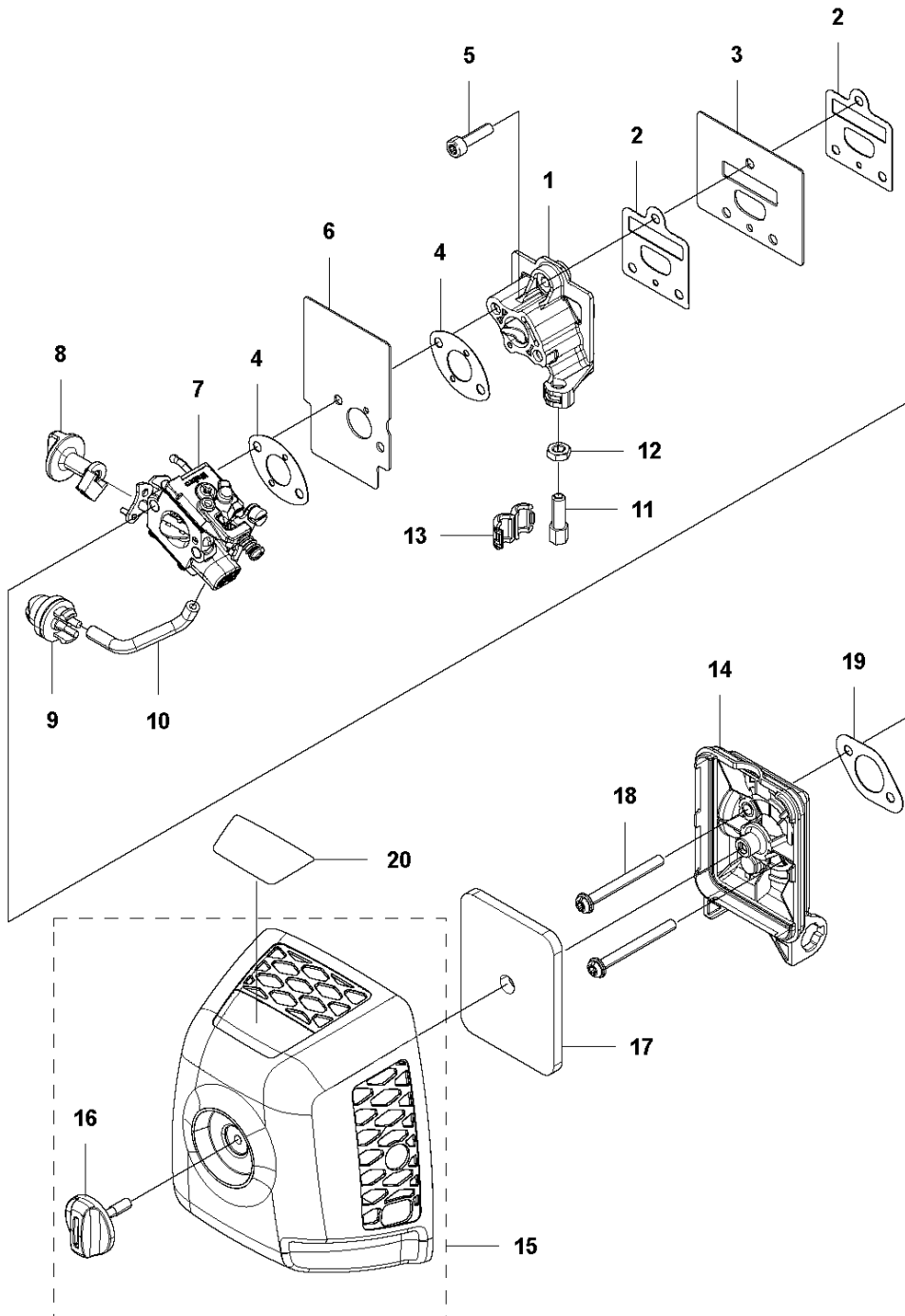


CARBURETOR

B40 B, 966778701, 966778702, 2012-04

Ref	Part no.	Description	Remark	Qty	Kit
1	577 99 28-05	CARBURETOR	WTEA-7	1	
2	520 95 70-01	SCREEN		1	1
3	577 80 69-01	COVER		1	1
4	520 97 63-01	SCREW		1	1
5	520 95 48-01	GASKET		1	1
6	520 95 49-01	DIAPHRAGM		1	1
7	521 08 54-01	VALVE.INLET		1	1
8	516 97 21-01	GASKET METERI		1	1
9	577 80 70-01	DIAPHRAGM		1	1
10	514 18 92-01	COVER		1	1
11	578 89 54-01	SPRING		1	1
12	578 91 31-01	NEEDLE		1	1
13	578 91 30-01	CAP		2	1
14	577 80 71-01	SCREW		1	1
15	520 97 74-01	PIN		1	1
16	577 80 72-01	LEVER		1	1
17	578 89 55-01	SHAFT		1	1
18	513 59 32-01	SPRING		1	1
19	577 81 57-01	SCREW		1	1
20	514 25 19-01	VALVE.THROTTLE		1	1
21	520 75 98-01	SCREW		3	1
25	505 05 65-01	RING		1	1
26	577 81 58-01	LEVER		1	1
27	577 81 55-01	SPRING		1	1
28	514 24 33-01	SPRING.CHOKE		1	1
29	514 24 26-01	BALL		1	1
30	577 81 64-01	SHAFT		1	1
31	579 36 71-01	VALVE		1	1
32	506 73 86-01	RING		1	1
33	520 97 88-01	SCREW ASSY		4	1
34	578 91 29-01	NEEDLE		1	1
35	516 52 42-01	WASHER		1	1
36	513 40 08-01	SWIVEL		1	1
42	578 91 28-01	SPRING		2	1

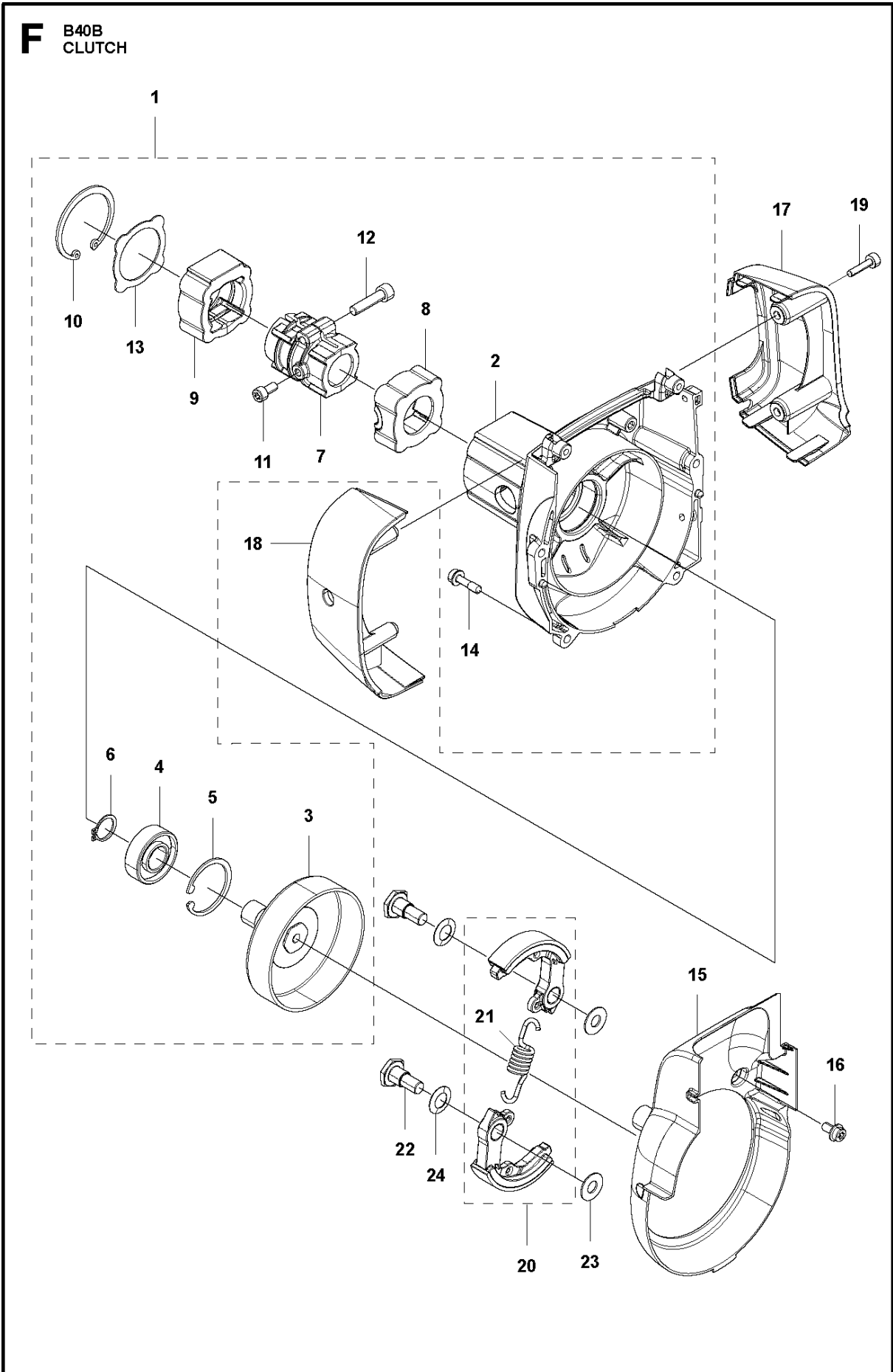
J B40B
CARBURETOR & AIRFILTER



CARBURETOR & AIR FILTER

B40 B, 966778701, 966778702, 2012-04

Ref	Part no.	Description	Remark	Qty	Kit
1	576 68 58-01	INSULATOR		1	
2	576 78 54-01	GASKET		2	
3	578 11 53-01	PLATE		1	
4	577 67 38-01	GASKET		2	
5	506 68 90-01	BOLT		3	
6	579 44 59-01	PLATE		1	
7	577 99 28-05	CARBURETOR		1	
8	577 13 31-02	CHOKE CONTROL		1	
9	503 93 66-01	PRIMER HOUSING		1	
10	577 50 95-01	TUBE		1	
11	577 17 72-01	SCREW		1	
12	580 51 78-01	NUT		1	
13	577 13 32-01	JOINT		1	
14	576 68 55-01	FILTER HOUSING		1	
15	579 18 00-01	FILTER COVER		1	
16	537 21 32-01	KNOB		1	15
17	577 92 67-01	AIR FILTER		1	
18	521 51 55-01	SCREW		2	
19	577 88 24-02	GASKET		1	
20	578 33 22-01	DECAL		1	

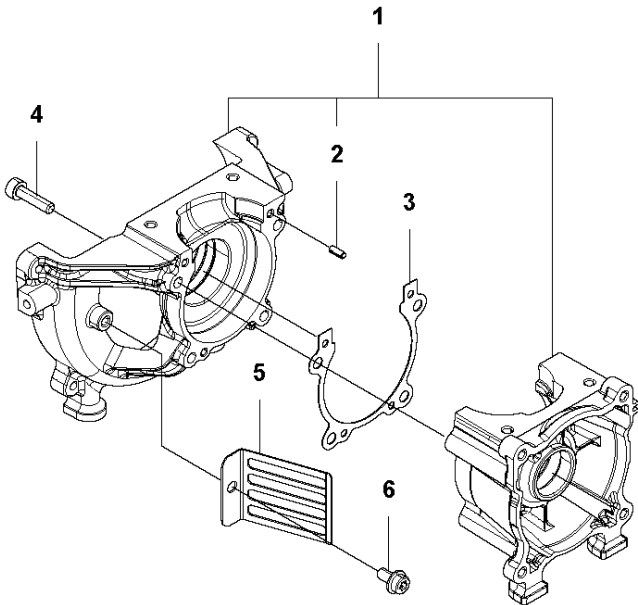


CLUTCH

B40 B, 966778701, 966778702, 2012-04

Ref	Part no.	Description	Remark	Qty	Kit
1	579 17 99-01	HOUSING		1	
2	578 33 14-01	CLUTCH		1	1
3	505 29 38-01	DRUM		1	1
4	516 13 17-01	BALL BEARING		1	1
5	502 84 93-01	SNAP RING		1	1
6	516 12 42-01	RING		1	1
7	578 33 15-01	CLAMP		1	1
8	521 65 46-01	ABSORBER		1	1
9	521 65 47-01	ABSORBER		1	1
10	516 12 64-01	RING		1	1
11	504 11 96-01	SCREW		1	1
12	521 51 75-01	BOLT		1	1
13	521 65 49-01	SPACER		1	1
14	577 94 23-01	BOLT		4	1
15	578 32 58-01	FAN COVER		1	
16	521 51 59-01	BOLT		2	
17	578 30 18-01	COVER		1	
18	578 30 19-01	COVER		1	
19	574 44 40-01	SCREW ITXSCT		2	
20	521 63 64-01	SHOE-COMP		1	
21	521 52 34-01	SPRING		1	20
22	505 29 78-01	SCREW		2	
23	505 29 80-01	WASHER		2	
24	505 29 81-01	WASHER		2	

P B40B
CRANKCASE

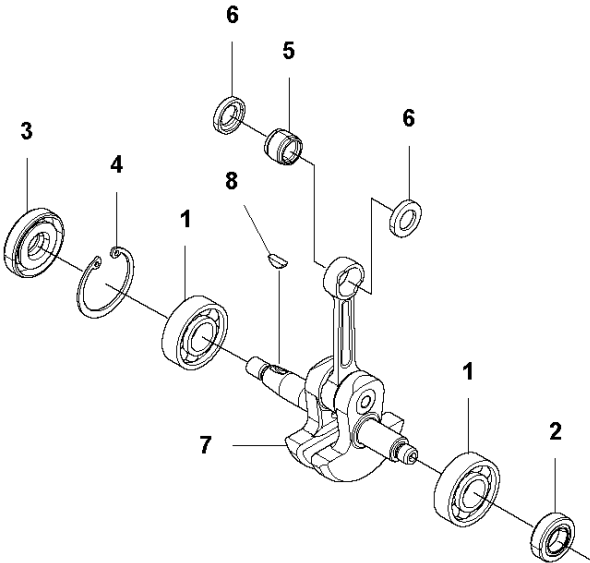


CRANKCASE

B40 B, 966778701, 966778702, 2012-04

Ref	Part no.	Description	Remark	Qty	Kit
1	521 62 35-02	CASE		1	
2	505 29 61-01	PIN		3	
3	521 62 36-01	GASKET		1	
4	577 94 20-01	BOLT		4	
5	515 41 26-01	GUARD		1	
6	521 51 59-01	BOLT		1	

N B40B
CRANK SHAFT

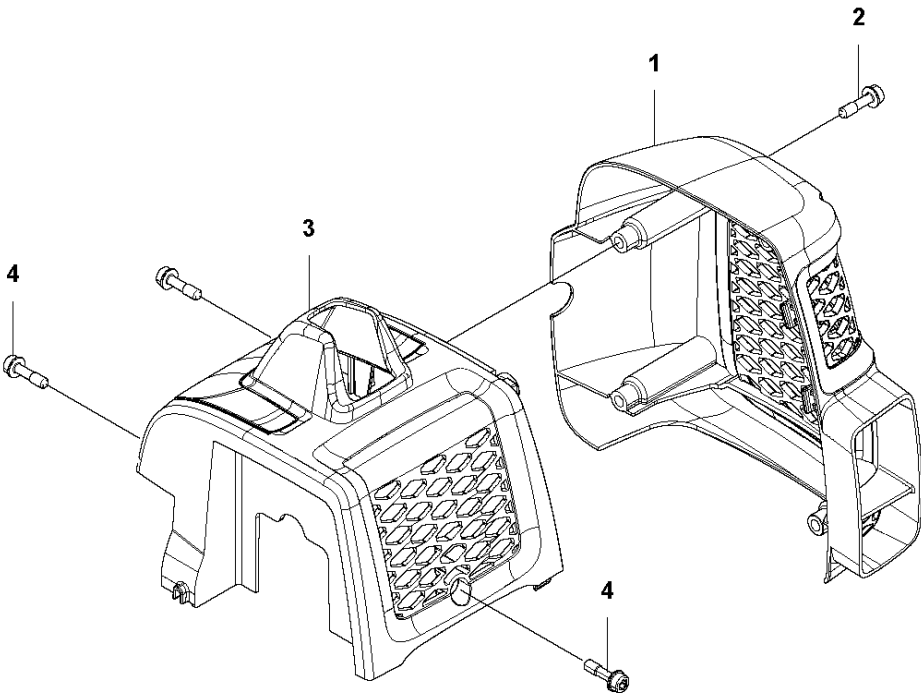


CRANKSHAFT

B40 B, 966778701, 966778702, 2012-04

Ref	Part no.	Description	Remark	Qty	Kit
1	504 12 14-01	BEARING		2	
2	504 12 15-01	SEALING		1	
3	505 29 67-01	SEAL		1	
4	504 12 10-01	SNAP RING		1	
5	505 29 73-01	BEARING		1	
6	513 75 24-01	WASHER		2	
7	521 62 39-01	SHAFT-COMP		1	
8	506 68 94-01	KEY		1	

G B40B
CYLINDER COVER

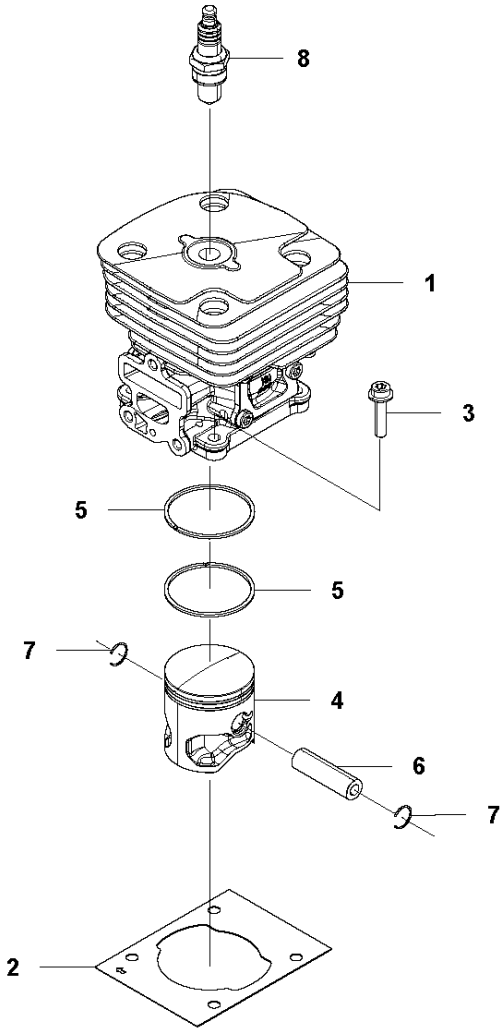


CYLINDER COVER

B40 B, 966778701, 966778702, 2012-04

Ref	Part no.	Description	Remark	Qty	Kit
1	578 30 17-01	MUFFLER GUARD		1	
2	577 81 54-02	BOLT		4	
3	578 30 20-01	CYLINDER COVER		1	
4	577 81 54-02	BOLT		3	

M B40B
CYLINDER & PISTON

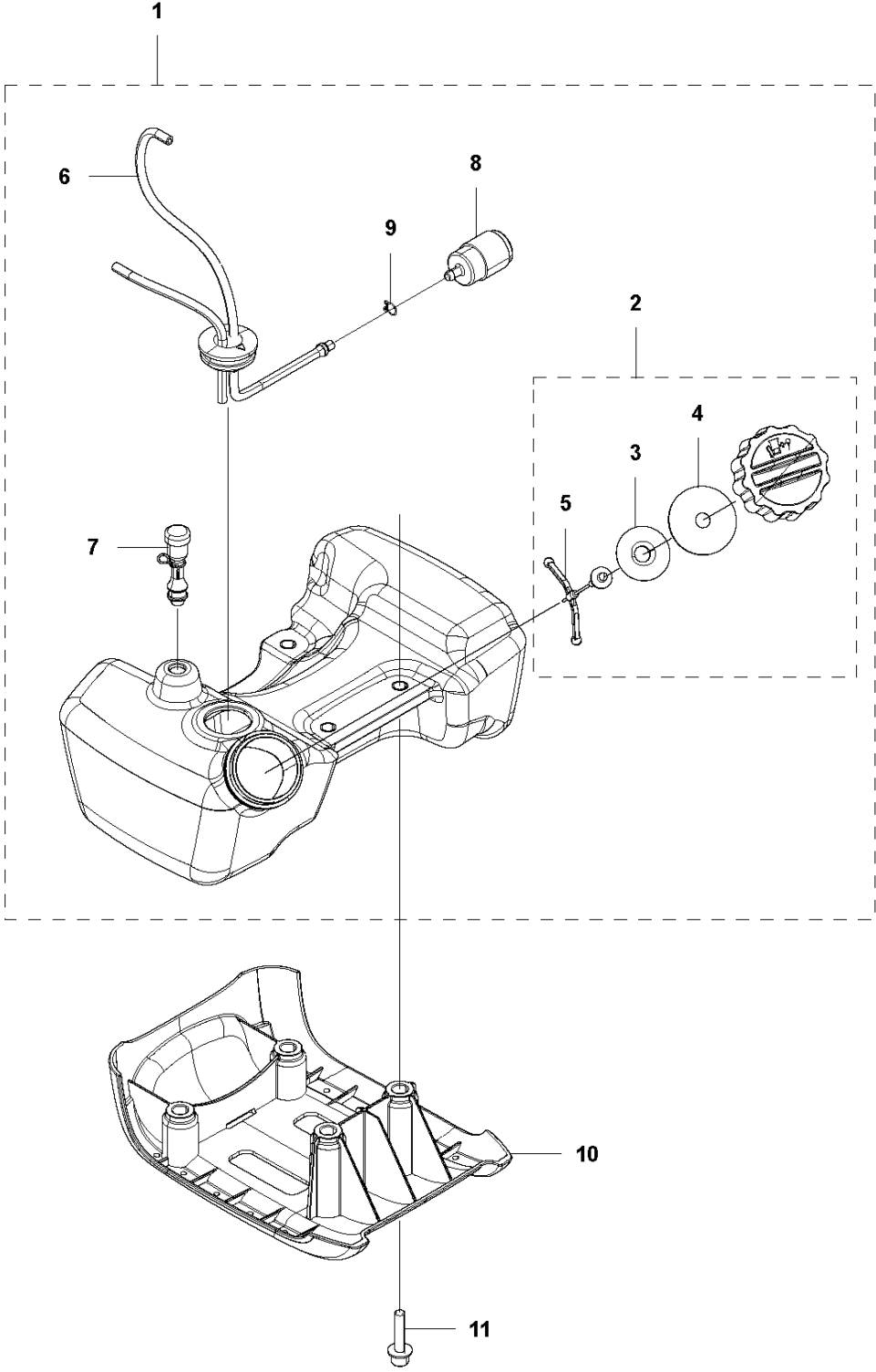


CYLINDER PISTON

B40 B, 966778701, 966778702, 2012-04

Ref	Part no.	Description	Remark	Qty	Kit
1	577 40 95-02	CYLINDER		1	
2	521 62 20-01	GASKET		1	
3	506 74 52-01	BOLT		4	
4	577 63 98-01	PISTON		1	
5	510 91 80-01	RING.PISTON		2	
6	521 52 27-01	PIN		1	
7	516 28 30-01	RING		2	
8	528 07 40-01	SPARKPLUG		1	

E B40B
FUEL TANK

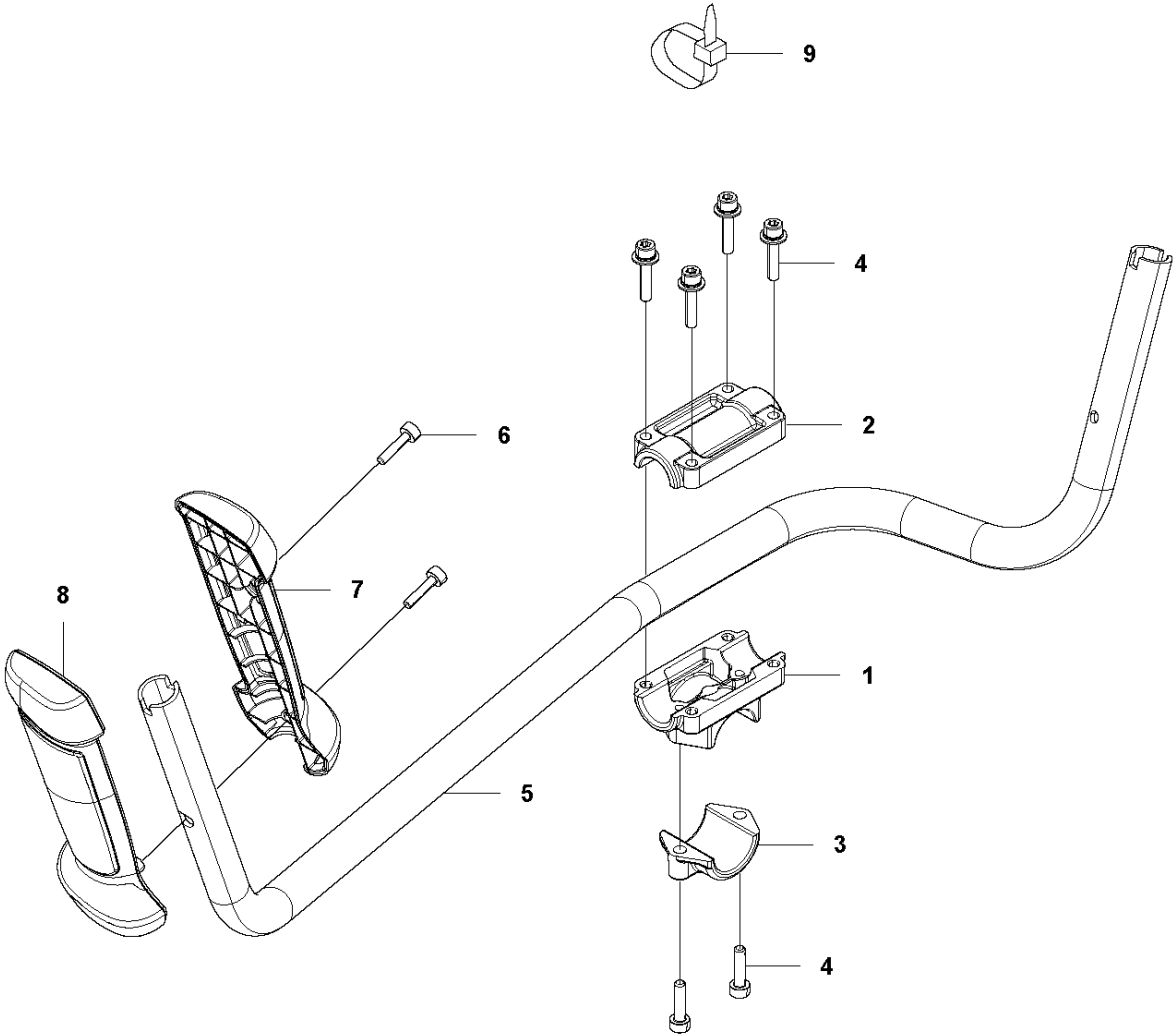


FUEL TANK

B40 B, 966778701, 966778702, 2012-04

Ref	Part no.	Description	Remark	Qty	Kit
1	578 96 61-01	FUEL TANK		1	
2	574 26 90-01	TANK CAP ASSY		1	1
3	574 16 60-01	CAP		1	1, 2
4	574 16 20-01	GASKET		1	1, 2
5	574 16 19-01	HOLDER		1	1, 2
6	577 50 99-01	PIPE		1	1
7	515 38 73-01	BREATHER-A		1	1
8	506 61 46-01	FILTER		1	1
9	506 70 70-01	CLIP		1	1
10	578 30 25-01	SKID PLATE		1	
11	521 51 69-01	BOLT		4	

C B40B
HANDLE

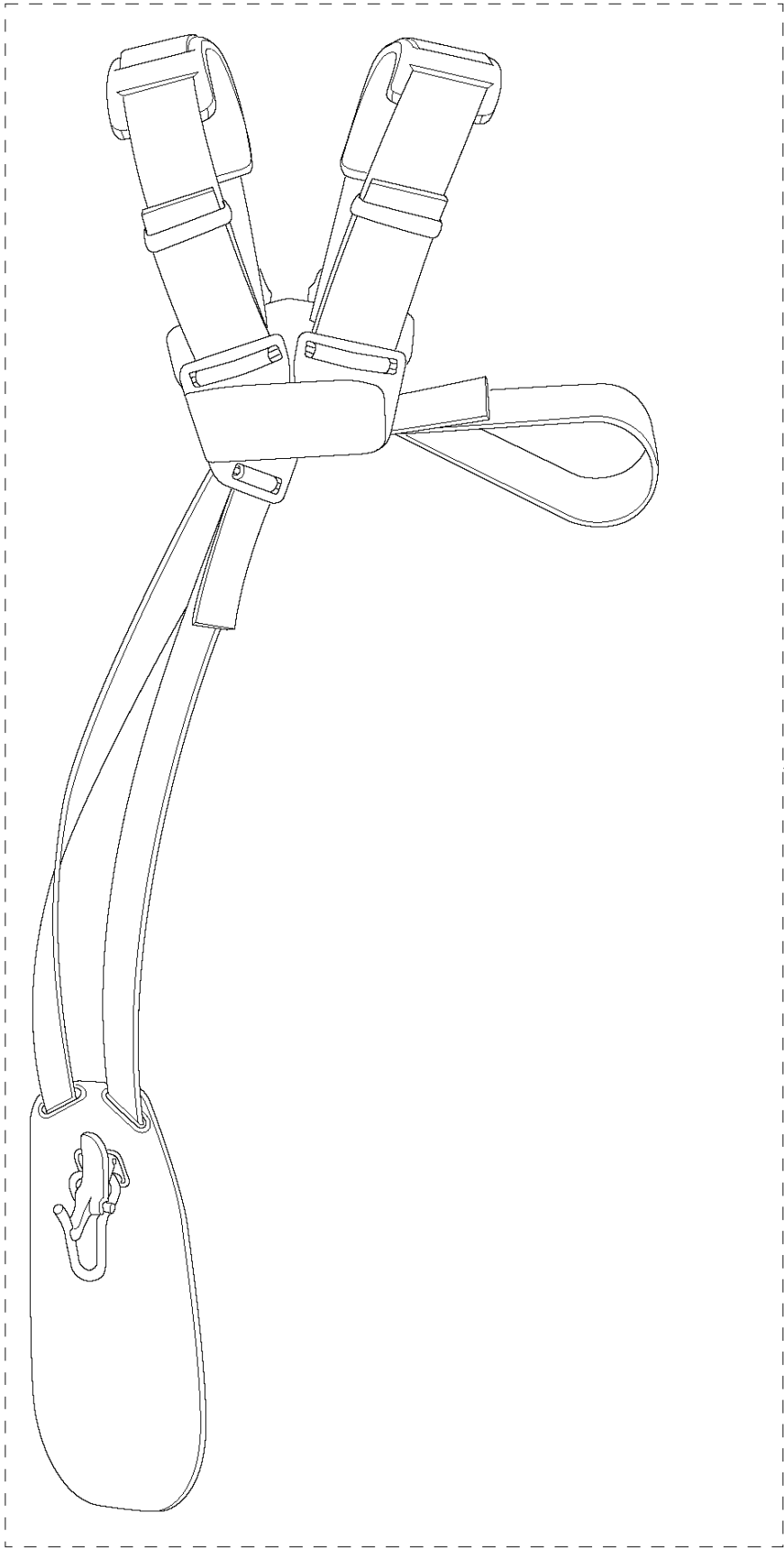


HANDLE

B40 B, 966778701, 966778702, 2012-04

Ref	Part no.	Description	Remark	Qty	Kit
1	578 96 33-01	CLAMP		1	
2	578 96 34-01	CLAMP		1	
3	578 96 35-01	CLAMP		1	
4	521 51 69-01	BOLT		6	
5	578 42 88-01	HANDLE BAR		1	
6	574 44 40-01	SCREW ITXSCT		2	
7	578 88 19-01	HANDLE GRIP		1	
8	578 88 22-01	HANDLE GRIP		1	
9	514 36 40-01	BAND(KZC)		1	

S B40B
HARNESS



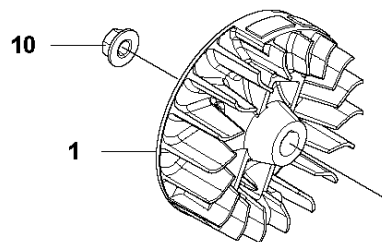
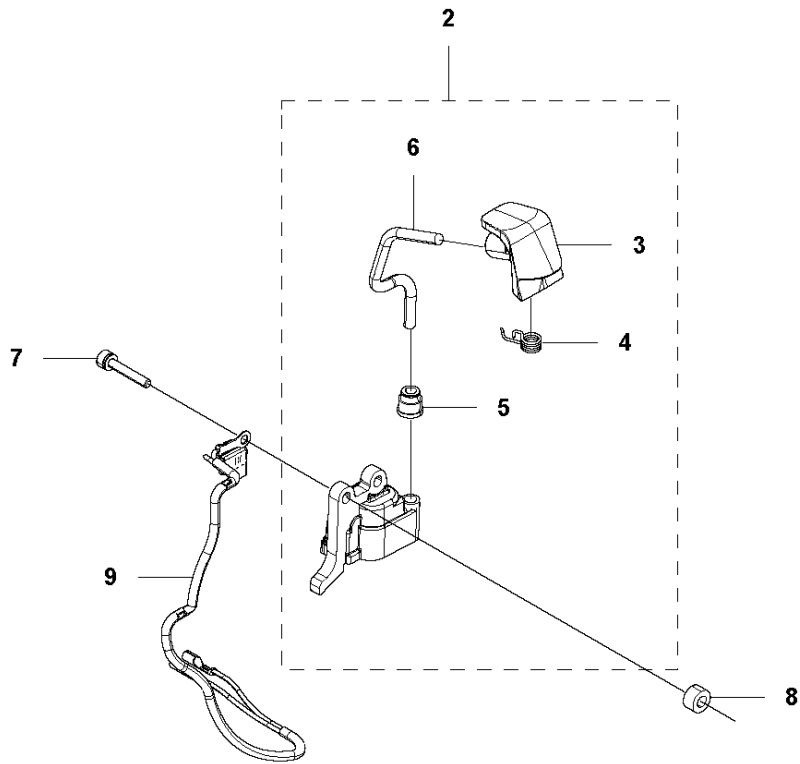
1

HARNESS

B40 B, 966778701, 966778702, 2012-04

Ref	Part no.	Description	Remark	Qty	Kit
1	544 84 58-02	HARNESS		1	

L B40B
IGNITION SYSTEM

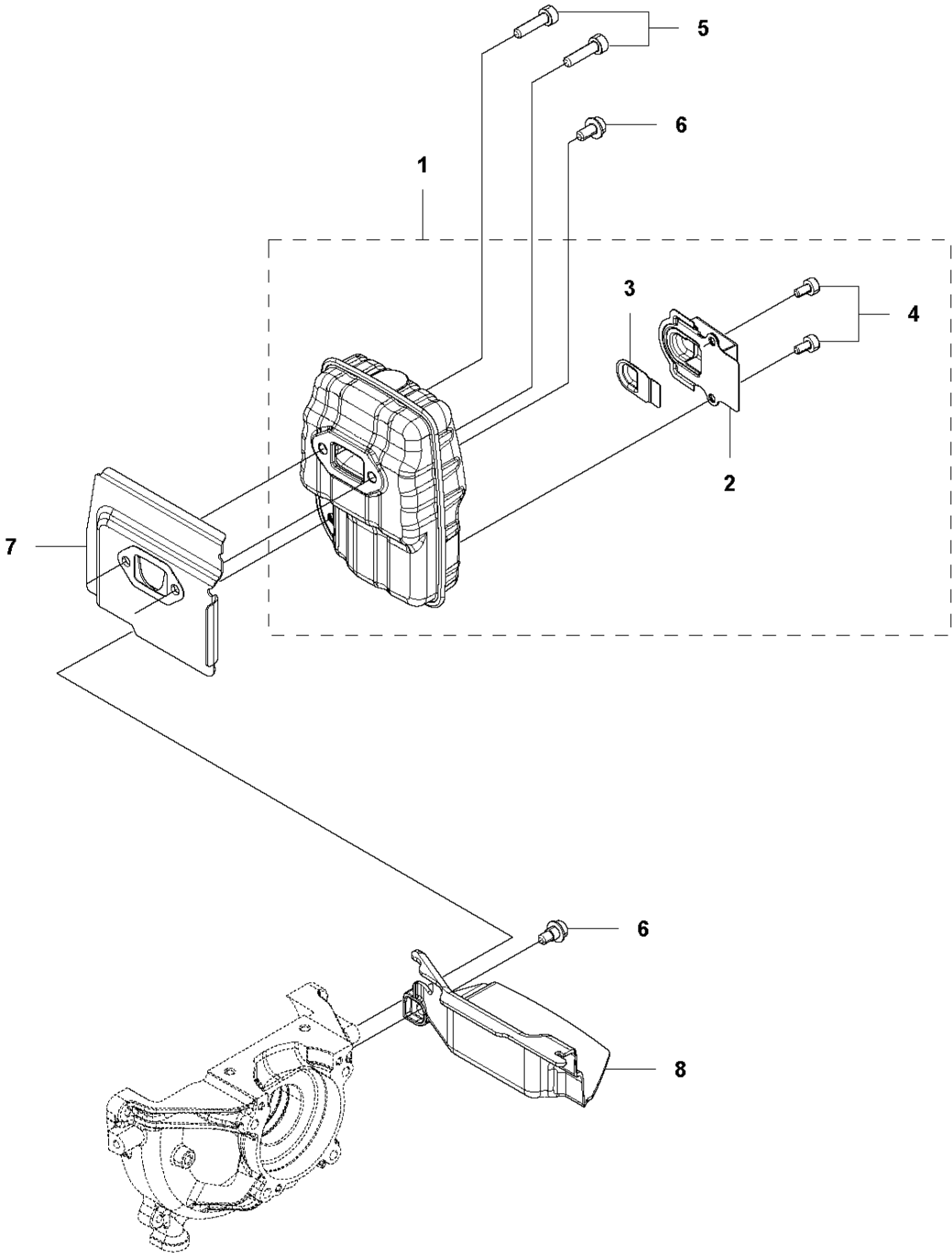


IGNITION SYSTEM

B40 B, 966778701, 966778702, 2012-04

Ref	Part no.	Description	Remark	Qty	Kit
1	577 13 38-01	ROTOR		1	
2	578 33 51-01	IGNITION MODULE ASSY		1	
3	578 33 16-01	SPARK PLUG CAP		1	2
4	506 65 52-01	SPRING		1	2
5	505 04 28-01	CAP		1	2
6	577 13 95-01	IGNITION CABLE		1	2
7	521 51 58-01	BOLT		2	
8	521 76 97-01	SPACER		2	
9	578 89 40-01	CORD		1	
10	504 11 80-01	NUT		1	

H B40B
MUFFLER

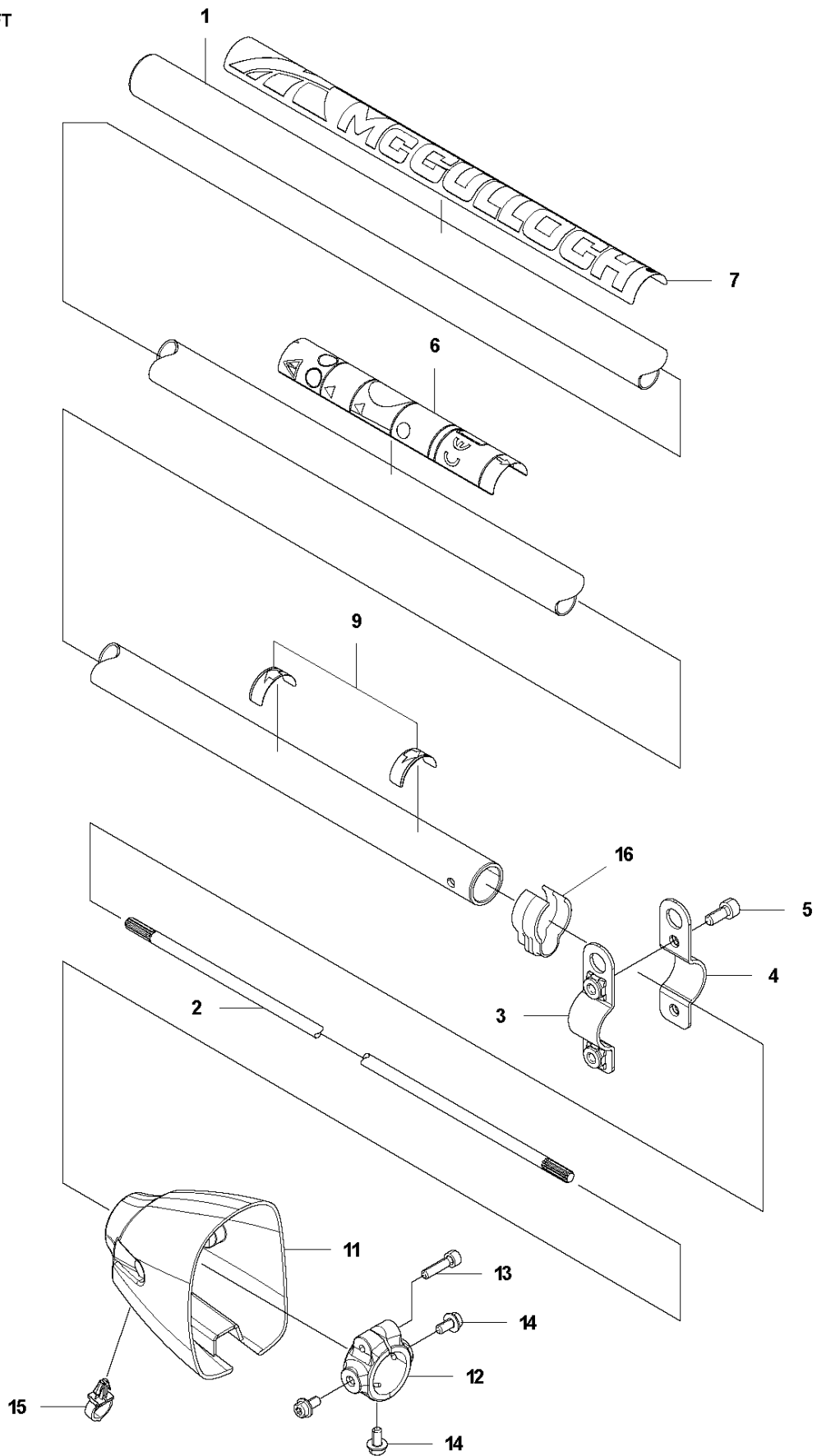


MUFFLER

B40 B, 966778701, 966778702, 2012-04

Ref	Part no.	Description	Remark	Qty	Kit
1	576 78 50-01	MUFFLER		1	
2	521 62 34-01	GUIDE		1	1
3	521 62 30-01	ARESTER		1	1
4	544 36 27-01	BOLT		2	1
5	577 94 20-01	BOLT		2	
6	521 51 59-01	BOLT		2	
7	577 80 41-01	GASKET		1	
8	521 62 33-01	PLATE		1	

B B40B
SHAFT

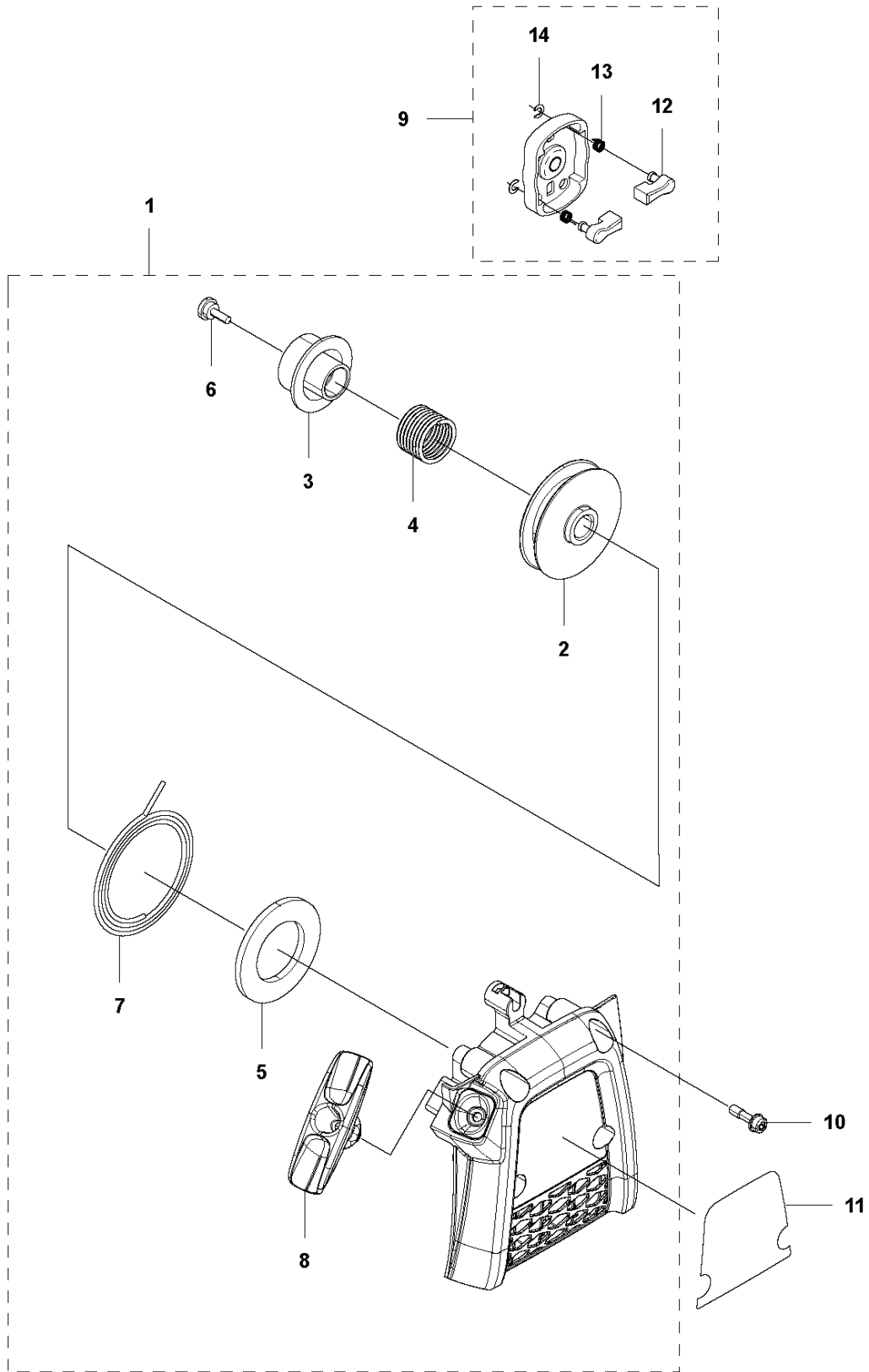


SHAFT

B40 B, 966778701, 966778702, 2012-04

Ref	Part no.	Description	Remark	Qty	Kit
1	578 33 30-01	TUBE		1	
2	578 33 32-01	DRIVE SHAFT		1	
3	579 07 36-01	HOOK		1	
4	579 07 35-01	HOOK		1	
5	544 25 80-01	BOLT		2	
6	581 90 28-01	DECAL		1	
7	578 96 43-01	DECAL		1	
9	580 23 73-01	DECAL		2	
11	578 86 75-02	CONE		1	
12	578 86 27-01	BRACKET		1	
13	510 90 46-01	BOLT		1	
14	521 51 59-01	BOLT		3	
15	579 01 15-01	CLIP		1	
16	521 65 40-01	CLAMP		2	

K B40B
STARTER

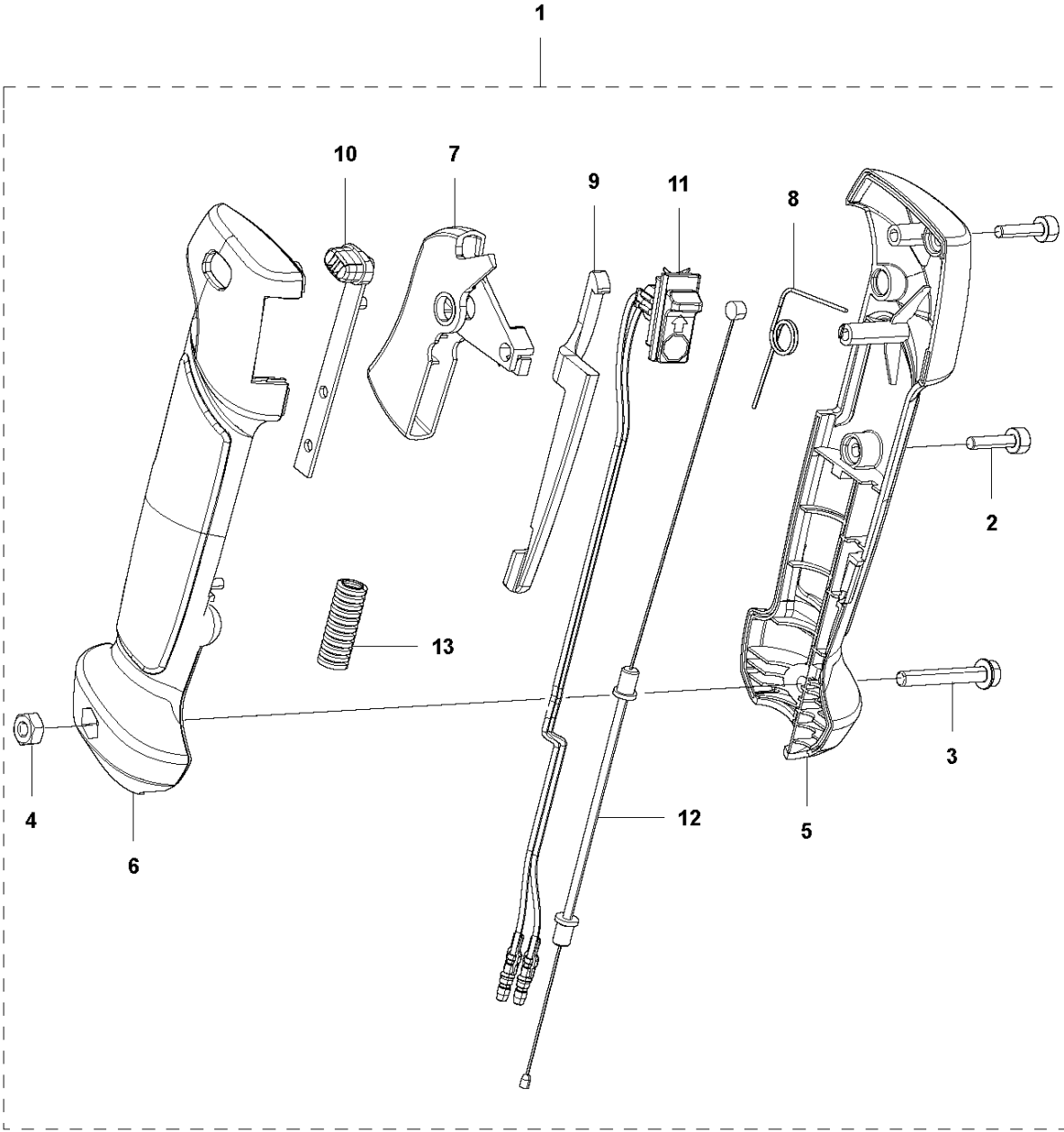


STARTER

B40 B, 966778701, 966778702, 2012-04

Ref	Part no.	Description	Remark	Qty	Kit
1	581 61 23-01	STARTER		1	
2	579 11 08-01	STARTER PULLEY		1	1
3	521 61 85-01	PLATE		1	1
4	521 61 84-01	SPRING		1	1
5	579 11 09-01	SPIRAL SPRING		1	1
6	515 36 71-01	SCREW		1	1
7	579 11 10-01	STARTER ROPE		1	1
8	576 37 46-01	STARTER HANDLE		1	1
9	579 11 11-01	PULLEY		1	
10	577 81 54-02	BOLT		4	
11	578 33 21-01	DECAL		1	
12	580 73 69-01	RATCHET		2	9
13	521 61 87-01	SPRING		2	9
14	513 16 77-01	E-RING		2	9

D B40B
THROTTLE CONTROLS



THROTTLE CONTROLS

B40 B, 966778701, 966778702, 2012-04

Ref	Part no.	Description	Remark	Qty	Kit
1	578 33 62-01	THROTTLE HANDLE ASSY		1	
2	574 44 40-01	SCREW ITXSCT		2	1
3	525 75 51-09	SCREW ITXSCFM		1	1
4	503 22 10-10	HEXAGON NUT		1	1
5	578 33 37-01	HANDLE GRIP		1	1
6	578 33 38-01	HANDLE GRIP		1	1
7	578 33 39-01	THROTTLE LEVER		1	1
8	580 72 12-01	SPRING		1	1
9	578 33 40-01	THROTTLE LOCKOUT		1	1
10	578 33 41-01	THROTTLE		1	1
11	579 37 89-01	SHORT CIRCUIT CABLE		1	1
12	578 33 43-01	THROTTLE CABLE		1	1
13	577 60 14-01	TUBE		1	1