

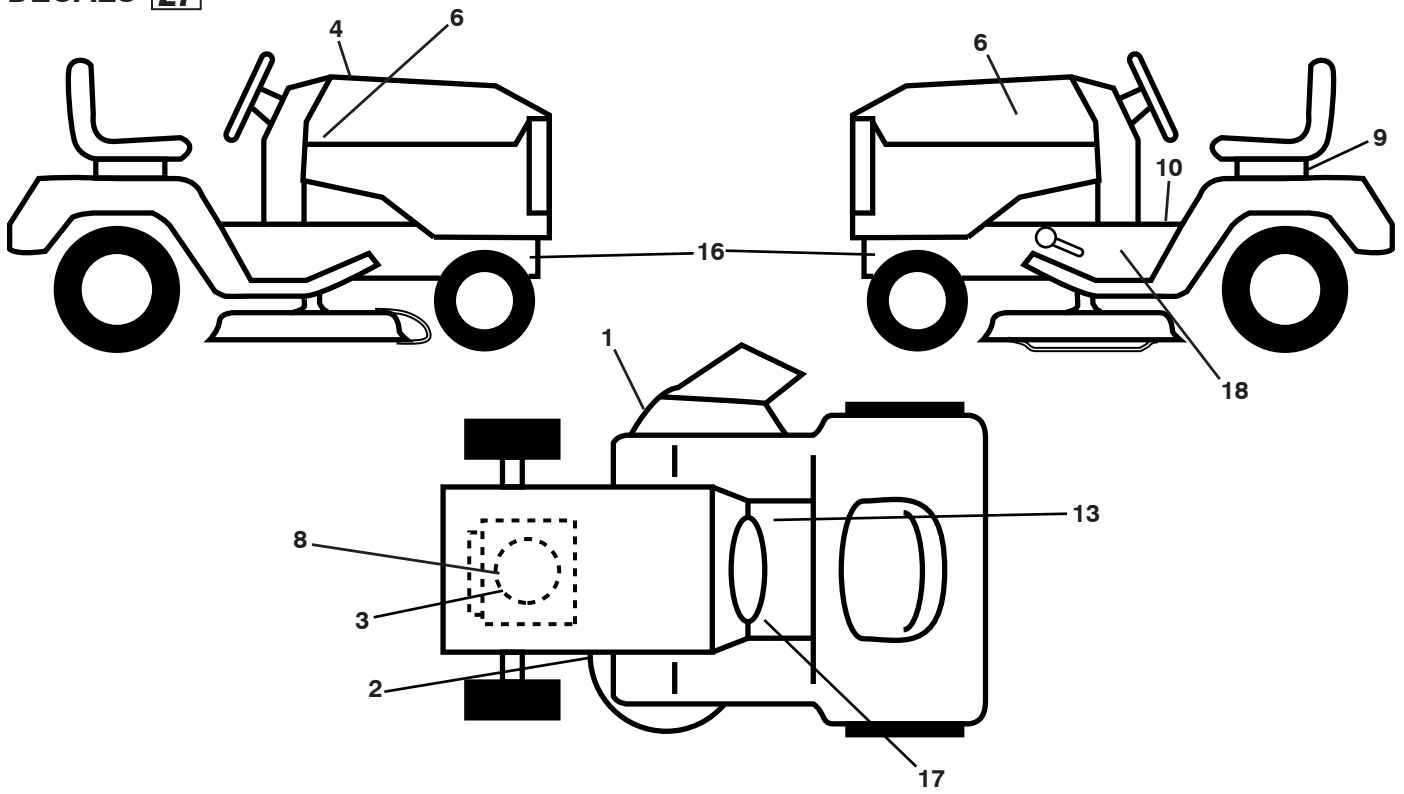
# **ILLUSTRATED PARTS LIST**

**MFG. ID NO. 96041028600/01**

**CUSTOMER CATALOG NO. M115-77T**

**PROD NO. 960 41 02-86**

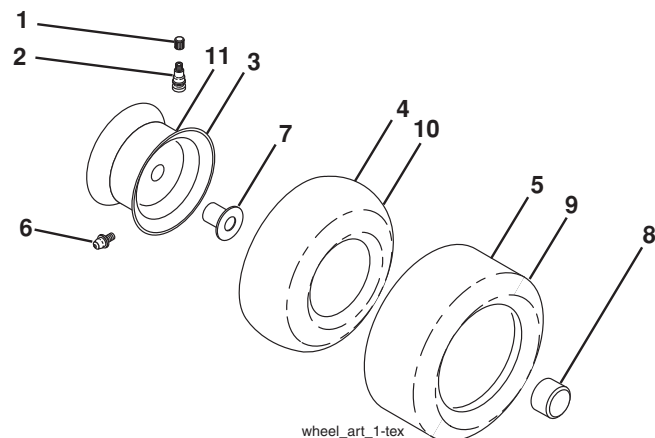
**TRACTOR - - MODEL NUMBER M115-77T (96041028600/01), PROD NO. 960 41 02-86**  
**DECALS 27**



KEY NO.	PART NO.	DESCRIPTION
1	581 57 93-01	Decal, Warning Cutfinger
2	581 58 00-04	Decal, V-Belt Schematic
3	532 43 74-09	Decal, Engine HP
4	532 44 32-40	Decal, Replacement
6	581 09 12-01	Decal, Hood RH/LH
8	581 57 97-01	Decal, Engine
9	532 14 50-05	Decal, Battery Dnge/Poi
10	581 57 81-01	Decal, Warning Symbols
13	581 57 80-01	Decal, Saddle Brake Parking
16	581 57 96-01	Decal, Hot Muffler

KEY NO.	PART NO.	DESCRIPTION
17	581 72 40-01	Decal, Brake Clutch Symbol
18	581 60 43-01	Decal, Fender
--	581 72 46-01	Decal, Drawbar Load Limit
--	532 40 95-05	Pad, Footrest, LH
--	532 41 12-73	Pad, Footrest, RH
--	581 60 42-40	Manual Operator's Euro
--	581 60 42-50	Manual Operator's Scan
--	581 60 42-20	Manual Operator's E-Bloc
--	581 60 42-30	Manual Operator's Baltic

**WHEELS AND TIRES**



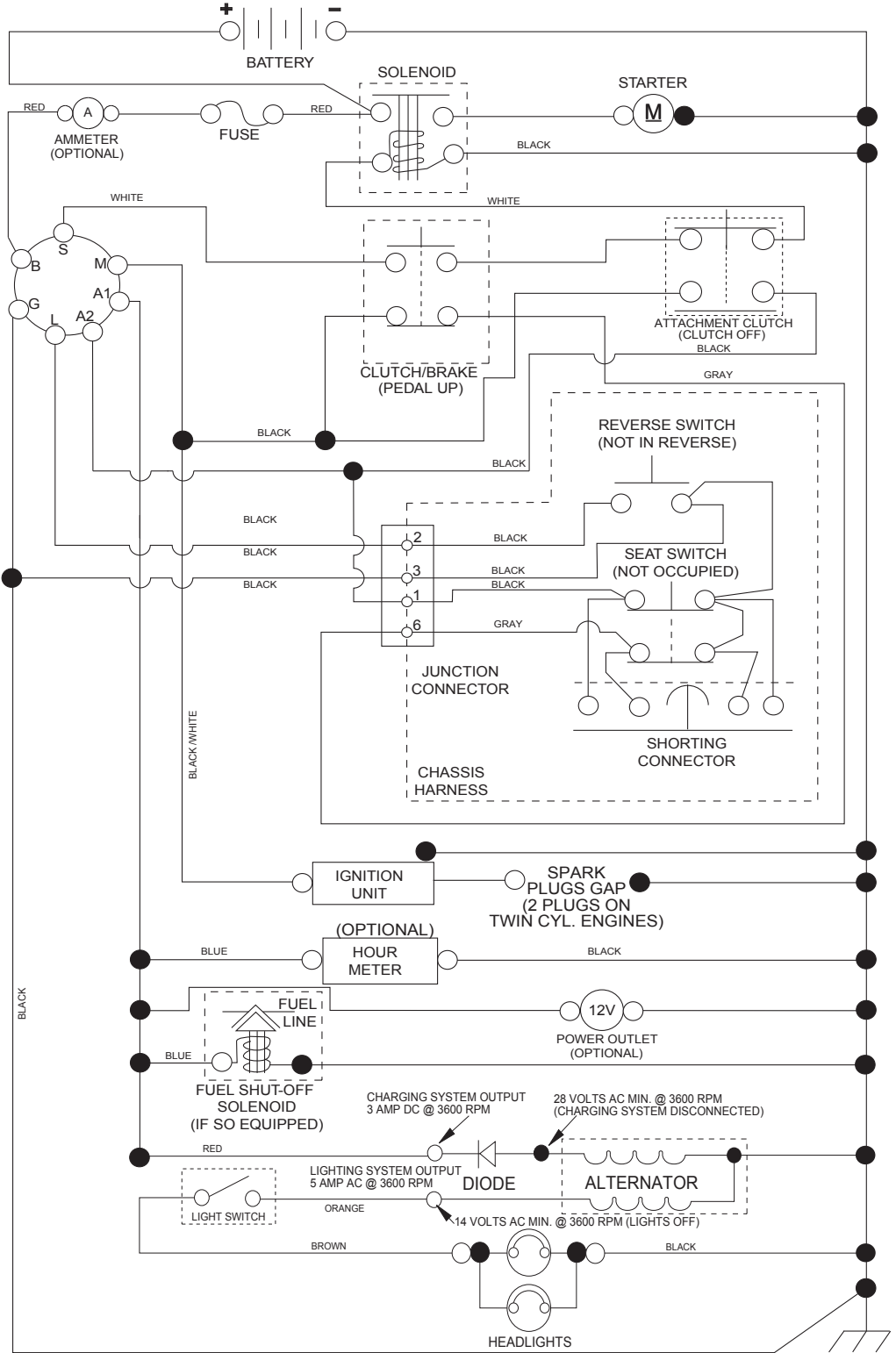
KEY NO.	PART NO.	DESCRIPTION
1	532 05 91-92	Cap Valve Tire
2	532 06 51-39	Stem Valve
3	532 42 53-61	Rim Asm 6" x 3.25 Front
4	532 42 16-52	Tube Front (Service Item Only)
5	532 12 34-10	Tire Front 13 x 5.0-6
6	532 12 49-57	Fitting Grease (Front Wheel Only)
7	532 12 49-59	Bearing Flange (Front Wheel Only)
8	532 19 32-68	Cap Axle
9	532 10 62-30	Tire Rear 16 x 6 - 5
10	532 00 71-54	Tube Rear (Service Item Only)
11	532 42 53-62	Rim Asm 8" x 5.375 Rear
--	532 14 43-34	Sealant, Tire (10 oz. Tube)

**NOTE:** All component dimensions given in U.S. inches  
 1 inch = 25.4 mm

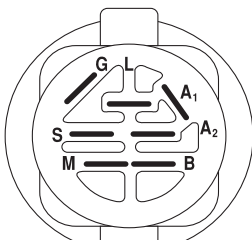
# TRACTOR - - MODEL NUMBER M115-77T (96041028600/01), PROD NO. 960 41 02-86

## SCHEMATIC 38

SCH11

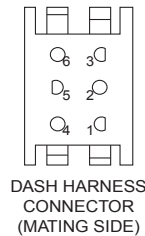
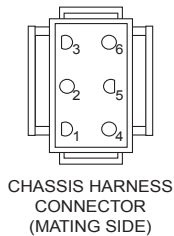


**NOTE**  
 YOUR TRACTOR IS EQUIPPED WITH A SPECIAL ALTERNATOR SYSTEM. THE LIGHTS ARE NOT CONNECTED TO THE BATTERY, BUT HAVE THEIR OWN ELECTRICAL SOURCE. BECAUSE OF THIS, THE BRIGHTNESS OF THE LIGHTS WILL CHANGE WITH ENGINE SPEED. AT IDLE THE LIGHTS WILL DIM. AS THE ENGINE IS SPEEDED UP, THE LIGHTS WILL BECOME THEIR BRIGHTEST.



IGNITION SWITCH

POSITION	CIRCUIT	"MAKE"
OFF	M+G+A1	
RUN/OVERRIDE	B+A1	
RUN	B+A1	L+A2
START	B + S + A1	



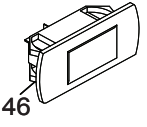
WIRING INSULATED CLIPS  
 NOTE: IF WIRING INSULATED CLIPS WERE REMOVED FOR SERVICING OF UNIT, THEY SHOULD BE RE-INSTALLED TO PROPERLY SECURE YOUR WIRING.



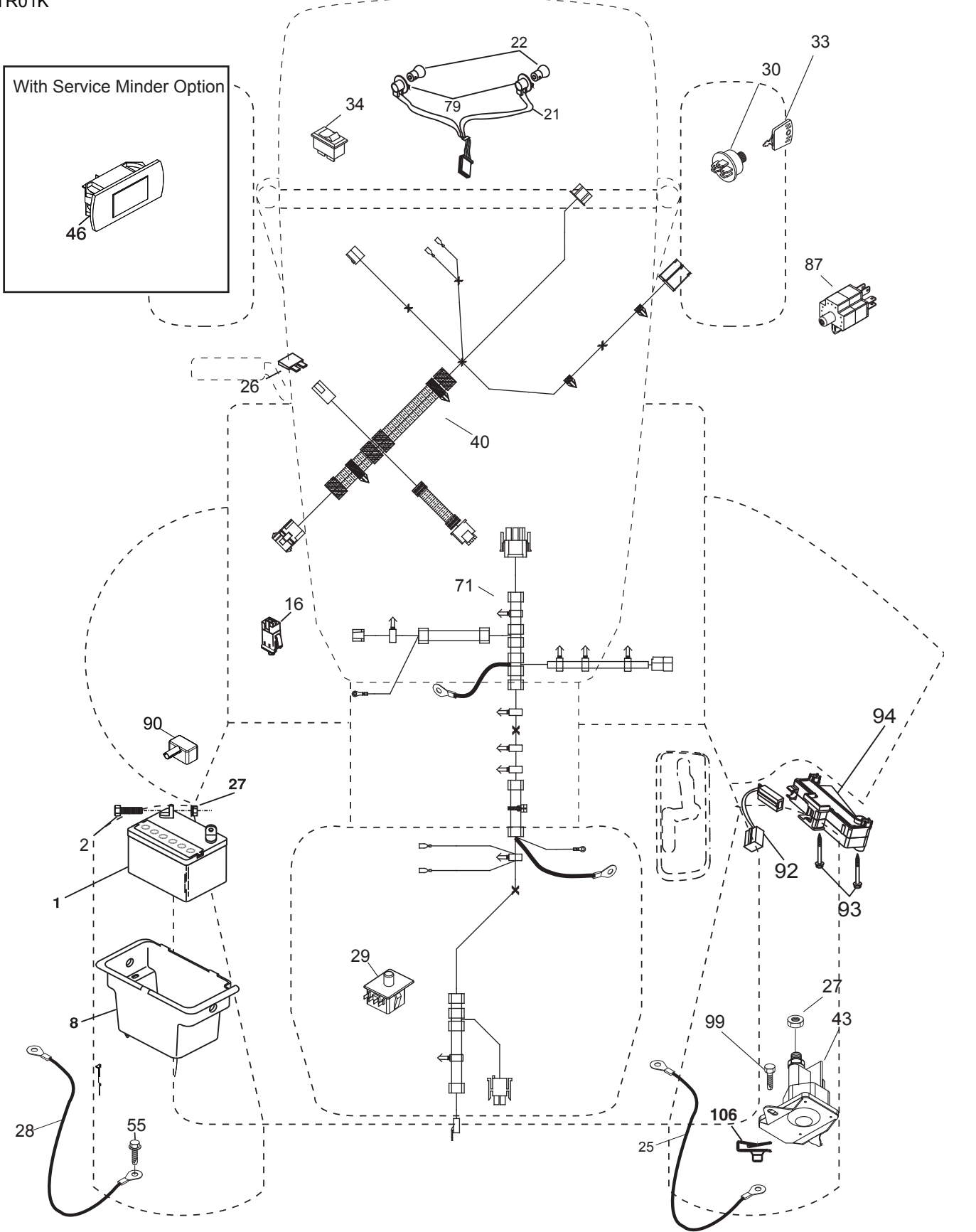
**TRACTOR - - MODEL NUMBER M115-77T (96041028600/01), PROD NO. 960 41 02-86**  
**ELECTRICAL 32**

TR01K

With Service Minder Option



46

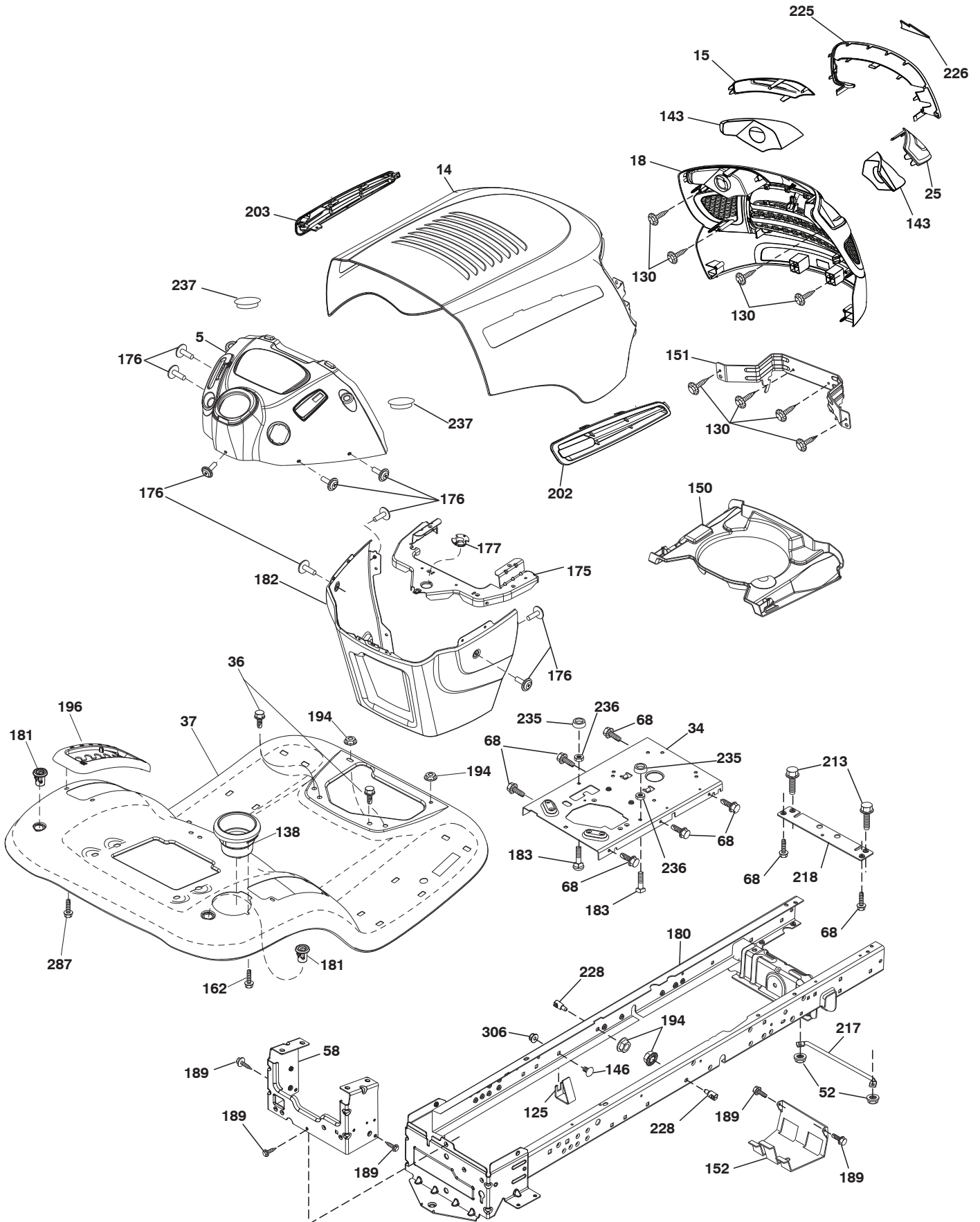


**TRACTOR - - MODEL NUMBER M115-77T (96041028600/01), PROD NO. 960 41 02-86  
ELECTRICAL 32**

<b>KEY NO.</b>	<b>PART NO.</b>	<b>DESCRIPTION</b>
1	532 14 49-24	Battery
2	874 76 04-12	Bolt Hex Head 1/4-20 x 3/4
8	532 19 32-28	Box Battery
16	532 17 61-38	Switch Interlock Push-In
21	532 40 02-52	Harness Socket Light w/4152J
22	532 00 41-52	Bulb Light
25	581 49 80-01	Cable Starter
26	532 17 51-58	Fuse
27	873 51 04-00	Nut Keps Hex 1/4-20 unc
28	532 42 16-86	Cable, Ground
29	532 40 15-45	Switch, Seat
30	532 19 33-50	Switch, Ign
33	532 41 19-35	Key/Chain
34	532 11 07-12	Switch Light/Reset
40	581 02 31-01	Harness Ign. Dash
43	532 19 25-07	Solenoid
55	817 06 05-12	Screw Thdrol 5/16-18 x 3/4
71	581 02 30-01	Harness Chassis
79	532 17 52-42	Socket Asm Bulb Twistlock
87	532 19 78-02	Switch Interlock Clutch Cable
90	532 43 53-95	Cover, Terminal Battery
92	532 19 66-15	Harness Pigtail
93	532 19 25-40	Screw Plastite 10-14-2.0
94	532 19 18-34	Module Reverse
99	817 67 04-12	Screw Hexwsh Thdrol 1/4-20 x 3/4
106	532 17 48-14	Palnut 1/4 Lugs

**NOTE:** All component dimensions given in U.S. inches  
1 inch = 25.4 mm

TRACTOR - - MODEL NUMBER M115-77T (96041028600/01), PROD NO. 960 41 02-86  
CHASSIS **39**

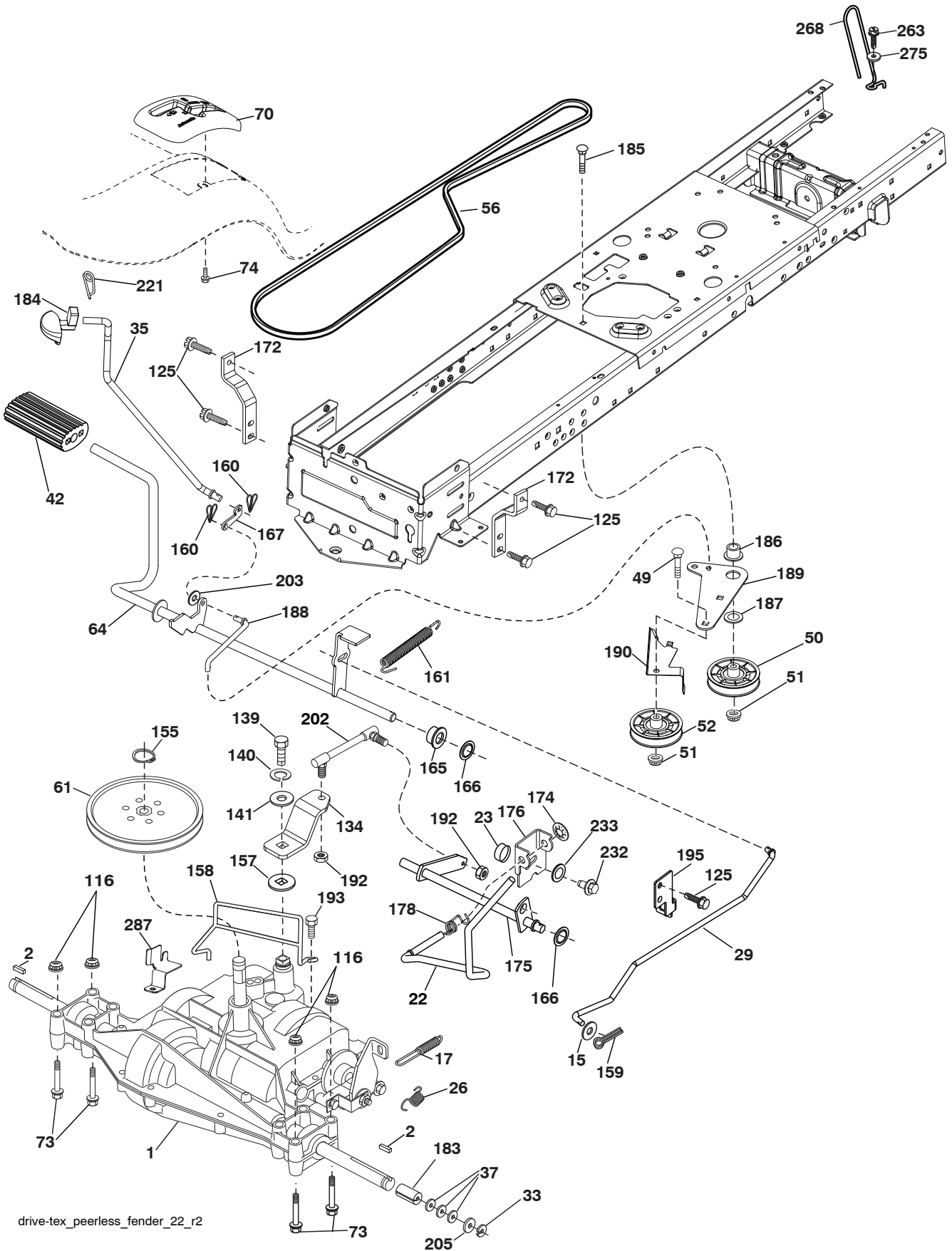


**TRACTOR - - MODEL NUMBER M115-77T (96041028600/01), PROD NO. 960 41 02-86  
CHASSIS 39**

<b>KEY NO.</b>	<b>PART NO.</b>	<b>DESCRIPTION</b>
5	532 42 57-72	Dash
14	581 56 47-01	Hood
15	581 05 58-01	Lens LH
18	581 05 57-01	Grille
25	581 05 59-01	Lens RH
34	580 91 08-01	Plate Engine
36	817 06 05-12	Screw 5/16-18 x 3/4
37	532 42 09-86	Fender
52	873 68 05-00	Nut Crown Lock 5/16
58	532 41 22-80	Drawbar, Upper
68	817 49 05-08	Screw THDROL 5/16-18 x 1/2
125	581 68 48-01	Clip Fuel Line
130	532 41 63-58	Screw #10 x .750 BOS Thread
138	532 40 97-30	Cupholder
143	581 05 60-01	Insert Reflective RH/LH
146	581 85 79-01	Bolt
150	532 40 02-67	Duct Air
151	532 18 75-68	Bracket Pivot
152	532 19 95-35	Shield Browning
162	532 14 24-32	Screw
175	532 19 94-72	Crossmember
176	532 40 07-76	Screw 10-24 x 5/8
177	532 19 52-28	Bushing Steering
180	532 41 46-85	Chassis
181	532 40 47-96	Bushing Mount Fender Cargo
182	532 40 71-76	Dash Lower
183	874 52 05-20	Bolt 5/16-18 x 1-1/4
189	817 00 05-12	Screw 5/16-18 x 3/4
194	873 90 05-00	Nut Lock Hex Flange 5/16-18
196	532 41 45-81	Console Asm. Deck Lift
202	581 56 49-01	Vent Side Hood RH
203	581 56 48-01	Vent Side Hood LH
213	874 76 05-12	Bolt 5/16-18 x 3/4
217	532 40 91-67	Rod Pivot Hood
218	532 19 63-95	X-Piece Hood Stop
225	581 05 62-01	Trim Ring
226	578 89 71-01	Emblem
228	532 19 51-61	Stud Fastener
235	532 40 61-29	Spacer Fender
236	873 93 05-00	Nut Lock 5/16-18 unc
237	532 40 37-04	Plug Mount Cargo
287	817 60 04-06	Screw Hex Washhead 1/4-20 x 3/8
306	873 90 06-00	Nut

**NOTE:** All component dimensions given in U.S. inches  
1 inch = 25.4 mm

TRACTOR -- MODEL NUMBER M115-77T (96041028600/01), PROD NO. 960 41 02-86  
DRIVE **40**



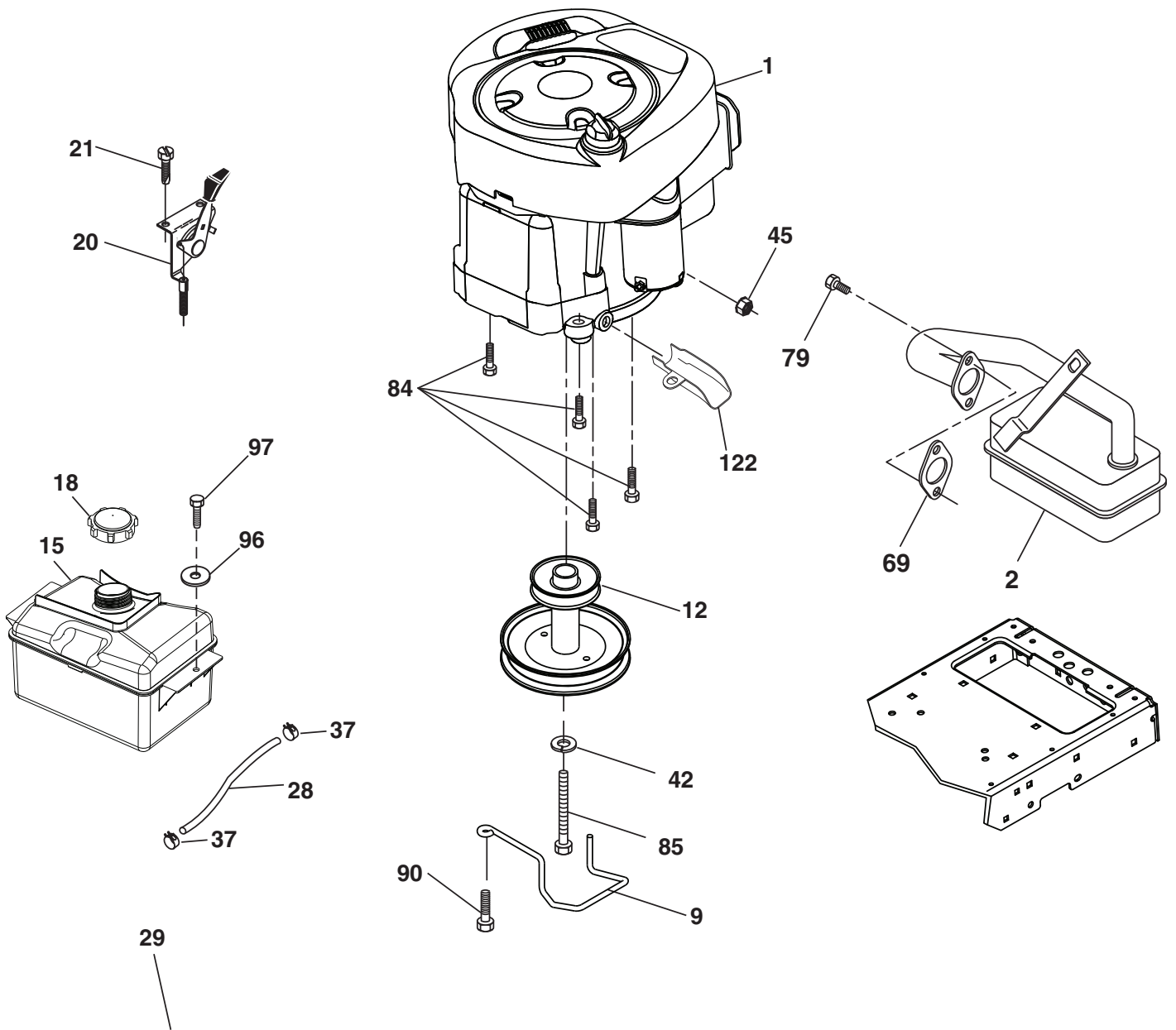
drive-tex\_peerless\_fender\_22\_r2



**TRACTOR - - MODEL NUMBER M115-77T (96041028600/01), PROD NO. 960 41 02-86  
DRIVE 40**

KEY NO.	PART NO.	DESCRIPTION	KEY NO.	PART NO.	DESCRIPTION
1	— — — — —	Transaxle, Peerless 206-565 (197941)(Order parts from transaxle manufacturer.)	161	532 10 57-09	Spring, Return, Clutch
2	532 12 35-83	Key Square	165	532 19 62-12	Busing Shaft Brake Hand Control
15	819 13 13-16	Washer 13/32 x 13/16 x 16 Ga.	166	532 42 91-64	Nut Push .625
17	532 19 72-97	Spring, Brake	167	532 40 52-57	Latch Brake Parking
22	532 19 76-60	Rod Shift	172	532 19 76-57	Strap Torque LH
23	532 10 69-33	Knob	174	532 19 72-89	Nut Push
26	532 19 74-55	Spring Brake RTN	175	532 19 78-58	Shaft Asm Shift
29	532 19 72-67	Rod, Brake	176	532 19 62-14	Arm Clevis Rod Shift
33	812 00 00-01	Ring E	178	532 19 74-56	Spring Shift
35	532 40 10-31	Rod, Brake, Park	183	532 13 70-57	Spacer, Axle
37	532 12 17-49	Washer 25/32 x 1-1/4 x 16 Ga.	184	532 44 14-07	Handle Parking Brake
42	532 12 48-72	Cover, Foot Pedal	185	872 11 06-22	Bolt
49	872 11 06-14	Bolt	186	532 19 43-21	Spacer Retainer
50	532 19 43-27	Pulley Idler Flat	187	819 13 32-10	Washer
51	873 90 06-00	Lock Nut 3/8-16	188	532 19 43-23	Link Clutch Ground Drive
52	532 19 43-26	Idler V-Groove	189	532 19 43-17	Bellcrank Ground Drive
56	532 13 82-55	V-Belt, Drive	190	532 19 43-18	Keeper Bellcrank Ground Drive
61	532 16 59-99	Pulley Transaxle	192	532 15 03-60	Nut Lock Center 1/4-28
64	532 19 62-00	Shaft Asm. Pedal Brake Control	193	817 06 05-12	Screw 5/16-18 x 3/4
70	532 41 12-90	Console	195	532 19 73-32	Bracket Brake Rod
73	874 49 05-40	Bolt 5/16-18 x 1/2 Gr. 5	202	532 19 78-59	Link Shift
74	532 14 24-32	Screw 1/4 x 1/2	203	819 11 11-16	Washer 11/32 x 11/16 x 16 Ga.
116	873 90 05-00	Nut Lock Hex Flange 5/16-18	205	532 12 17-48	Washer 25/32 x 1-5/8 x 16 Ga.
125	817 00 05-12	Screw 5/16-18 x 3/4	221	532 40 31-87	Retainer Spring Clip Handle
134	532 19 78-57	Arm Shift	232	874 78 07-16	Bolt 7/16-14 x 1 Gr. 5
139	874 55 04-12	Bolt 1/4-20 unf Gr. 8 w/Patch	233	532 40 52-96	Washer Serrated
140	810 04 04-00	Washer Lock Hvy Helical 1/4	263	817 00 06-12	Screw Hexwsh Thrd 3/8-16 x 3/4
141	819 09 12-10	Washer 9/32 x 3/4 x 10 Ga.	268	532 18 24-02	Guard Muffler
155	812 00 00-28	Ring Retainer	275	819 13 16-14	Washer 13/32 x 1 x 14 Ga.
157	532 10 57-01	Washer Plate Shf	287	532 42 16-48	Keeper Pulley Transaxle
158	532 19 43-52	Keeper T/A			
159	876 02 04-12	Pin Cotter 1/8 x 3/4			
160	532 16 94-84	Retainer Clip			

**NOTE:** All component dimensions given in U.S. inches  
1 inch = 25.4 mm



**OPTIONAL EQUIPMENT**  
**Spark Arrester**

engine-tex\_BS\_36

**TRACTOR - - MODEL NUMBER M115-77T (96041028600/01), PROD NO. 960 41 02-86  
ENGINE **24****

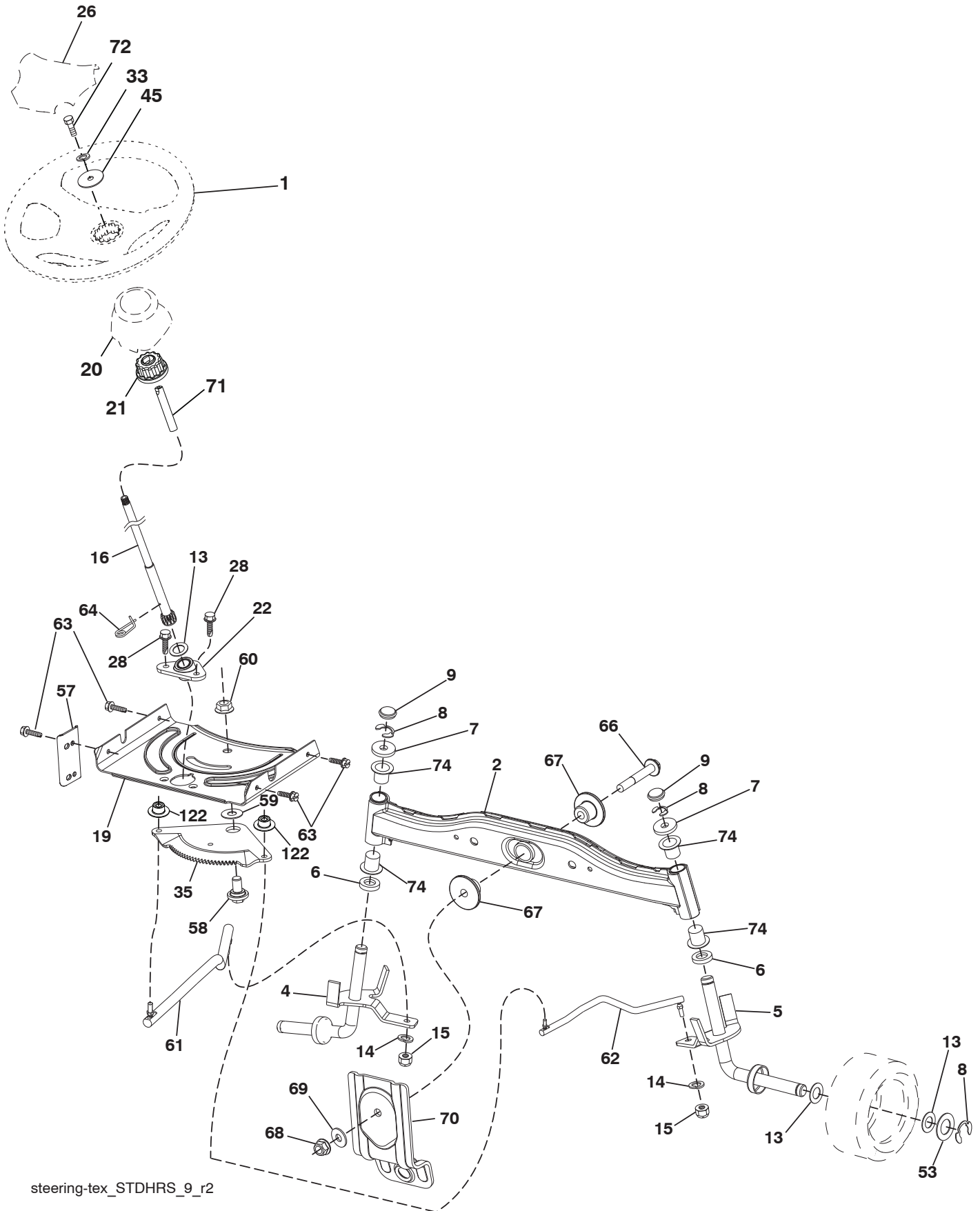
<b>KEY NO.</b>	<b>PART NO.</b>	<b>DESCRIPTION</b>
1	-----	Engine Briggs Model No. 217807-3209-B1 (438613)(Order parts from engine manufacturer.)
2	532 17 97-58	Muffler
9	532 19 43-19	Keeper Belt Engine
12	532 14 01-86	Pulley Engine
15	581 28 99-01	Tank Fuel
18	532 43 02-20	Cap Fuel
20	532 18 38-97	Control Throttle
21	532 41 63-58	Screw #10 x 0.750 BOS Thread
28	532 13 70-40	Fuel Line
29	532 13 71-80	Spark Arrester Kit
37	532 12 34-87	Clamp Hose
42	810 04 07-00	Washer Lock 7/16
45	873 51 04-00	Nut Keps Hex 1/4-20 unc
69	532 16 52-91	Gasket
79	532 19 23-34	Screw 5/16-18 x 3/4
84	817 06 06-20	Screw 3/8-16 x 1/4
85	532 17 39-37	Bolt Hex 7/16-20 x 4 Gr. 5 - 1.5 Thr
90	817 00 06-16	Screw 3/8-16 x 1
96	819 09 14-16	Washer 9/32 x 7/8 x 16 Ga.
97	817 67 04-12	Screw 1/4-20 x 3/4
122	532 42 19-22	Extension Drain Oil

**NOTE:** All component dimensions given in U.S. inches  
1 inch = 25.4 mm

**Engine Power Rating Information**

The gross power rating for individual gas engine models is labeled in accordance with SAE (Society of Automotive Engineers) code J1940 (Small Engine Power & Torque Rating Procedure), and rating performance has been obtained and corrected in accordance with SAE J1995 (Revision 2002-05). Torque values are derived at 3060 RPM; horsepower values are derived at 3600 RPM. Actual gross engine power will be lower and is affected by, among other things, ambient operating conditions and engine-to-engine variability. Given both the wide array of products on which engines are placed and the variety of environmental issues applicable to operating the equipment, the gas engine will not develop the rated gross power when used in a given piece of power equipment (actual “on-site” or net power). This difference is due to a variety of factors including, but not limited to, accessories (air cleaner, exhaust, charging, cooling, carburetor, fuel pump, etc.), application limitations, ambient operating conditions (temperature, humidity, altitude), and engine-to-engine variability. Due to manufacturing and capacity limitations, Briggs & Stratton may substitute an engine of higher rated power for this Series engine.

TRACTOR - - MODEL NUMBER M115-77T (96041028600/01), PROD NO. 960 41 02-86  
STEERING ASSEMBLY **41**



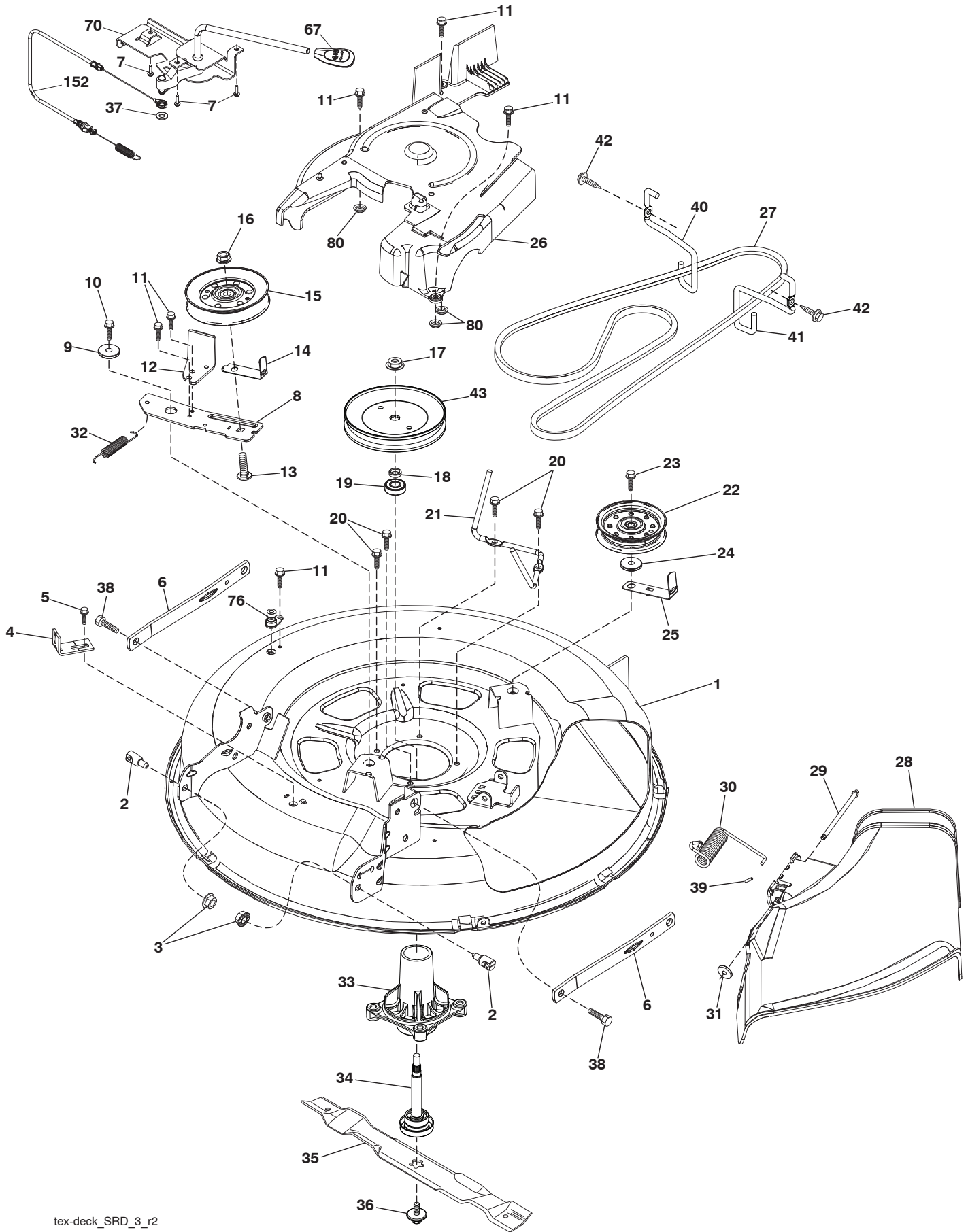
steering-tex\_STDHRS\_9\_r2

**TRACTOR - - MODEL NUMBER M115-77T (96041028600/01), PROD NO. 960 41 02-86  
STEERING ASSEMBLY 41**

<b>KEY NO.</b>	<b>PART NO.</b>	<b>DESCRIPTION</b>
1	532 42 45-43	Wheel, Steering
2	532 41 81-68	Axle Asm., Front
4	532 41 68-45	Spindle Asm., LH
5	532 41 68-46	Spindle Asm., RH
6	532 12 49-31	Washer Thrust
7	532 12 17-48	Washer 25/32 x 1-5/8 x 16 Ga.
8	812 00 00-29	Ring, Klip #T5304-75
9	532 12 12-32	Cap, Spindle
13	532 12 17-49	Washer 25/32 x 1-1/4 x 16 Ga.
14	810 04 06-00	Washer, Lock Hvy Hlcl Spr 3/8
15	873 54 06-00	Nut, Crown Lock 3/8-24 unf
16	532 42 93-73	Shaft Steering
19	532 19 47-29	Plate Steering
20	532 40 97-63	Boot, Steering
21	532 18 67-37	Adapter, Wheel Steering
22	532 42 05-37	Strg. Supt. Lower
26	581 78 01-01	Insert, Wheel Steering
28	817 00 06-12	Screw 3/8-16 x 3/4
33	810 04 05-00	Washer Lock 5/16
35	532 19 47-32	Gear, Sector Plate
45	819 11 38-12	Washer 11/32 x 3/8 x 12 Ga.
53	532 18 89-67	Washer Hardened .793 x 1.637 x .060
57	532 40 74-65	Bracket Upstop
58	532 19 47-47	Bolt Shoulder Sector Pivot CFM
59	532 19 47-48	Washer Thrust Sector Steering
60	873 97 10-00	Nut Flange Lock 5/8-11
61	532 19 47-40	Draglink, LH
62	532 19 47-41	Draglink, RH
63	817 00 05-12	Screw 5/16-18 x 3/4
64	532 19 98-49	Retainer Clip Spring Steering
66	871 02 07-48	Bolt Hex Fghd 7/16-14 x 3 Serr
67	532 19 47-37	Bushing PM Front Axle
68	873 90 07-00	Nut Lock Flange 7/16-14 Gr. 5
69	532 19 91-62	Washer 1.5 x .505 x .118
70	532 41 70-65	Bracket Deck Susp. Front
71	532 19 07-52	Shaft Extension Steering
72	532 42 89-82	Bolt Fin Hx 5/16-18 x 4 w/Patch
74	532 12 49-37	Bearing
122	532 44 49-62	Cap Gear Sector

**NOTE:** All component dimensions given in U.S. inches  
1 inch = 25.4 mm

TRACTOR - - MODEL NUMBER M115-77T (96041028600/01), PROD NO. 960 41 02-86  
MOWER DECK 44



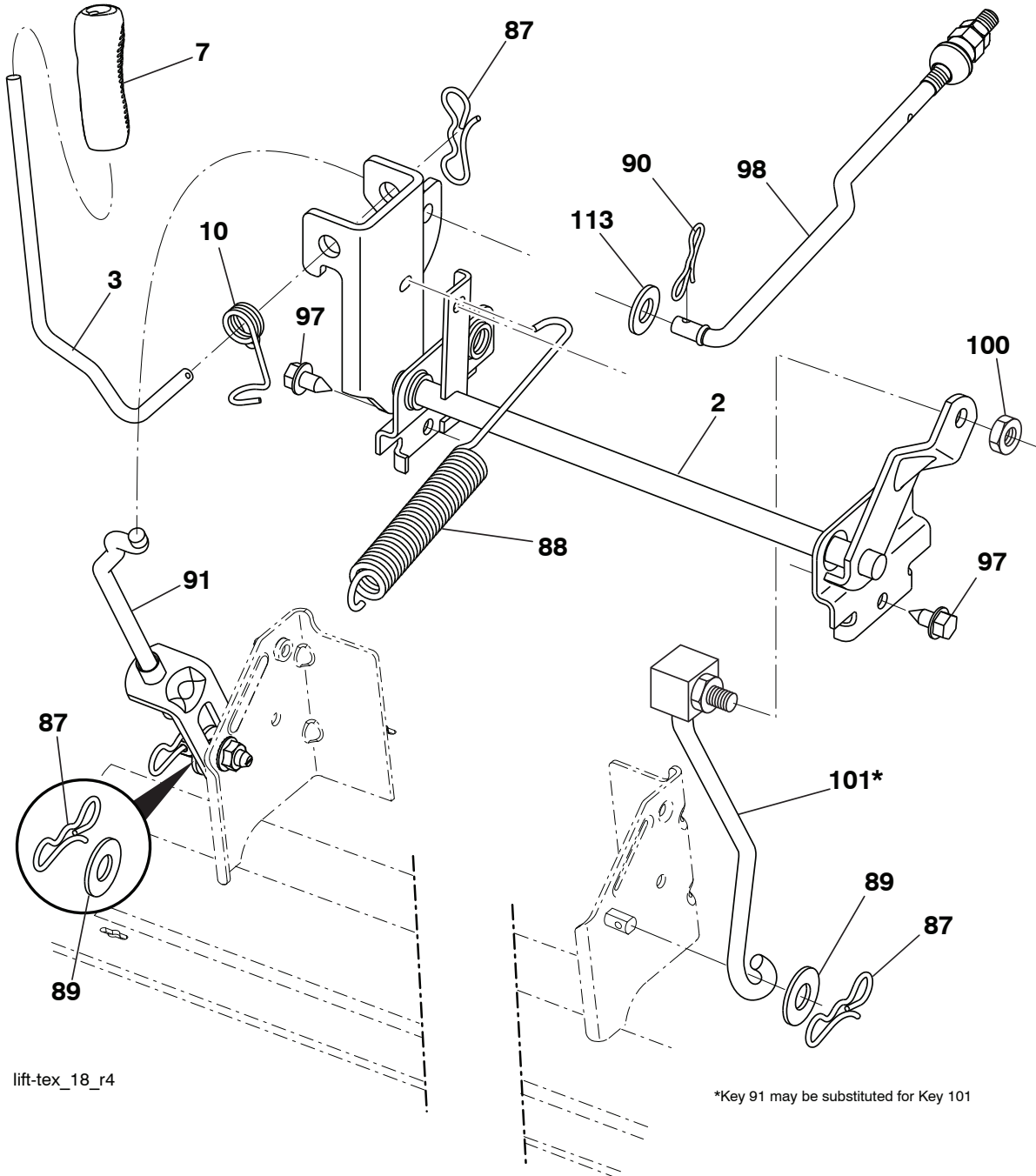
tex-deck\_SRD\_3\_r2

**TRACTOR - - MODEL NUMBER M115-77T (96041028600/01), PROD NO. 960 41 02-86  
MOWER DECK 44**

KEY NO.	PART NO.	DESCRIPTION	KEY NO.	PART NO.	DESCRIPTION
1	532 41 92-72	Deck Weldment 30"Srd	31	532 11 04-52	Nut Push Phos & Oil
2	532 19 51-61	Stud Fastner w/"D'anti-Rotatio	32	532 40 18-72	Spring Return Deck 38/46"
3	873 90 05-00	Nut Lock Hex Flange 5/16 - 18	33	532 18 72-81	Housing Mandrel 4pt Service
4	532 41 76-45	Bracket Clutch Cable	34	532 19 28-72	Shaft Asm Mndrl N/Greaseable38
5	817 00 05-10	Bolt 5/16-18	35	532 41 92-73	Blade Mower Hp/Mulch Srd
6	532 41 88-63	Arm Susp Mower Rear Srd	36	532 19 30-03	Bolt/Washer Asm 7/16 - 20 unf
7	532 41 63-58	Screw #10 x 0.750 BOS Thread	37	819 13 13-16	Washer 13/32 x 13/16 x 16 Ga.
8	532 42 02-52	Arm Idler 30"Srd	38	532 19 65-39	Bolt Shoulder
9	532 19 90-92	Spacer Retainer	39	532 10 53-04	Cap Sleeve
10	817 00 06-16	Screw 3/8 - 16 X 1 Smgml Tap/R Blk	40	532 41 92-70	Keeper Belt Engine LH
11	532 13 77-29	Screw Thd Roll 1/4 - 20 X 5/8	41	532 41 92-65	Keeper Belt Engine RH
12	532 19 94-70	Arm Brake Mower 38" RH Tex	42	817 00 06-12	ScrewHexwsh THDR3/8-16x3/4BL
13	872 11 06-12	Bolt Carr Sh 3/8 - 16 X 1 - 1/2 Gr5	43	532 41 68-77	Pulley Mandrel 6 5 Pd 30"
14	532 15 60-85	Keeper Belt Idler	67	532 40 30-12	Handle clutch cable
15	532 14 67-63	Pulley Idler V-Groove Dim 4.25	70	532 40 12-46	Clutch Asm. Manual
16	873 90 06-00	Nut Lock FIG 3/8 - 16 unc	76	532 41 55-98	Port Washer
17	532 40 02-34	Nut Flange Lock Top	80	532 42 30-62	Palnut 1/4
18	532 18 76-90	Washer Spacer Mandrel	152	532 43 51-11	Manual Clutch Cable
19	532 11 04-85	Bearing Ball Mandrel	--	532 19 28-70	Mandrel Assembly (Includes Housing (key# 33), Shaft Assembly (key # 34), and Bearing (key #19) Only - Pulley/Nut/ Washer and Blade Bolt/Washers Not Included)
20	532 17 39-84	Screw Thd Roll Dod Pt Hex	--	532 43 23-46	Replacement Mower Complete
21	532 41 69-10	Keeper Belt Mandrel 30"			
22	532 19 31-98	Pulley Idler Flat Unplated			
23	817 49 06-28	Screw Thdrol 3/8 - 16 X 1-3/4			
24	819 13 20-12	Washer 13/32 X 1 - 1/4 X 12 Ga			
25	532 42 02-53	Keeper Belt 30"Srd			
26	532 42 02-55	Cover Mandrel Mwr 30"Black			
27	532 41 92-71	V-Belt Drive			
28	532 41 73-44	Shield Asm Deflect Mwr 30s Blk			
29	532 42 08-95	Pin Hinge 30			
30	532 19 70-26	Spring Torsion Dfl 38/42/46 Gr			

**NOTE:** All component dimensions given in U.S. inches  
1 inch = 25.4 mm

**TRACTOR - - MODEL NUMBER M115-77T (96041028600/01), PROD NO. 960 41 02-86**  
**MOWER LIFT 45**



lift-tex\_18\_r4

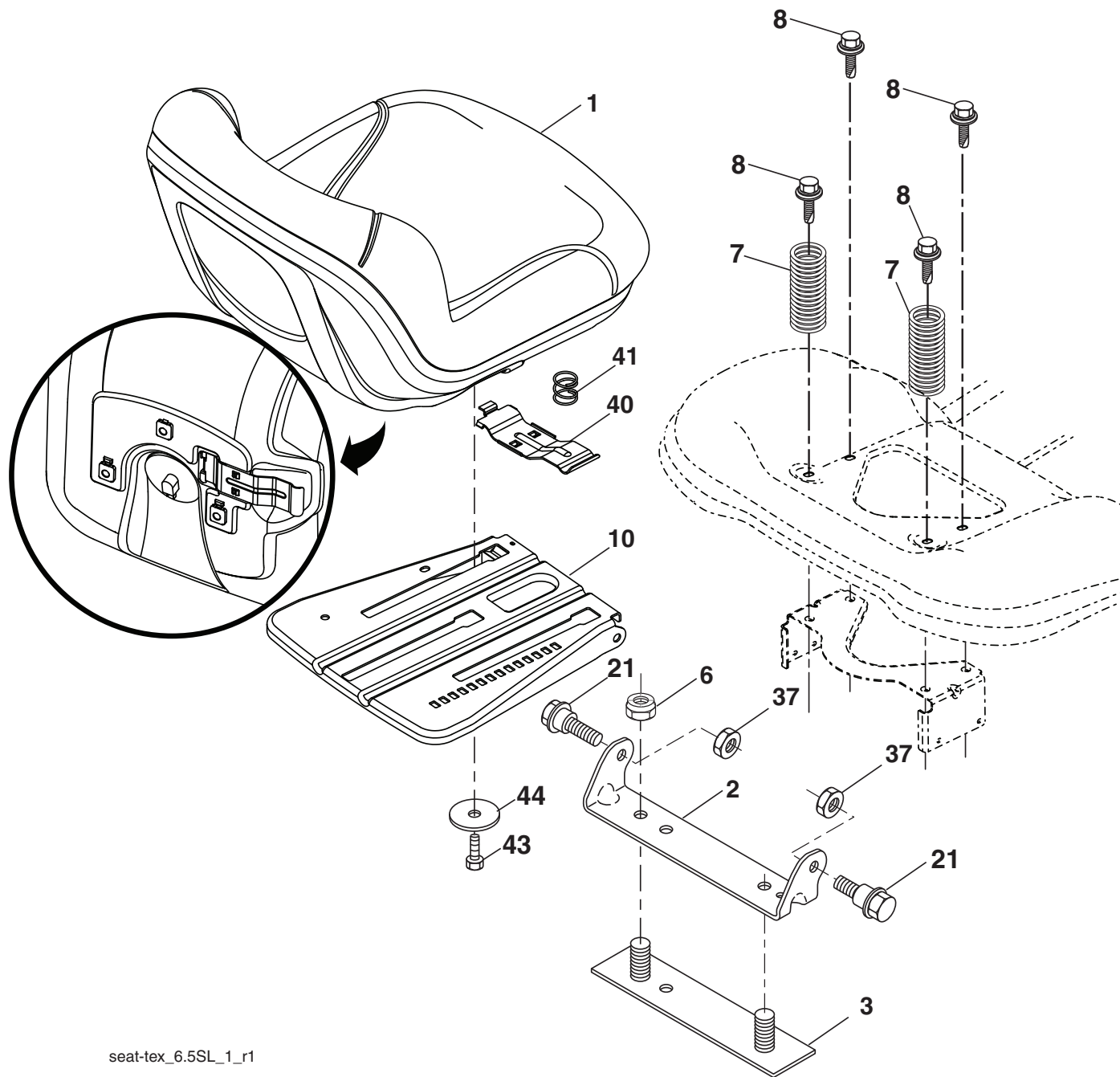
KEY NO.	PART NO.	DESCRIPTION
2	532 42 20-27	Shaft Asm., Lift
3	532 19 52-31	Lever Asm., Lift RH
7	581 23 84-01	Grip, Lever
10	532 19 63-14	Spring Torsion
87	532 19 42-09	Pin Cotter 7/16 Bow Tie Lock
88	532 41 07-10	Spring Lift Assist
89	819 19 19-12	Washer Clear Zinc
90	532 19 42-08	Pin Cotter 5/16 Bow Tie Lock
91	532 19 51-81	Link Asm Lift LH Rear

KEY NO.	PART NO.	DESCRIPTION
97	817 00 06-12	Screw Hex Wsh. THDR 3/8-16x3/4
98	532 19 52-64	Link Lift Susp. Front Mower
100	873 93 06-00	Nut Centerlock 3/8-16 unc
101	532 40 70-03	Link Asm. Lift FXD
113	819 17 19-12	Washer Clear

**NOTE:** All component dimensions given in U.S. inches  
 1 inch = 25.4 mm



**TRACTOR - - MODEL NUMBER M115-77T (96041028600/01), PROD NO. 960 41 02-86  
SEAT ASSEMBLY 42**



seat-tex\_6.5SL\_1\_r1

KEY NO.	PART NO.	DESCRIPTION
1	581 46 20-01	Seat
2	532 18 01-66	Bracket Pivot Fender
3	532 14 06-75	Strap, Asm Fender
6	873 80 06-00	Nut, Lock w/Ins. 3/8-16 unc
7	532 12 41-81	Spring, Seat Cprsn
8	532 17 18-77	Bolt 5/16-18 unc x 3/4 w/Sems
10	532 19 69-77	Pan, Seat
21	532 17 18-52	Bolt, Shoulder 5/16-18

KEY NO.	PART NO.	DESCRIPTION
37	873 80 05-00	Nut, Lock 5/16-18 unc
40	532 19 76-61	Handle Slide Seat
41	532 19 82-00	Spring Latch Seat
43	874 76 06-12	Bolt Fin Hex 3/8-16 x 3/4
44	819 13 38-12	Washer 13/32 x 2-3/8 x 12 Ga.

**NOTE:** All component dimensions given in U.S. inches  
1 inch = 25.4 mm

