

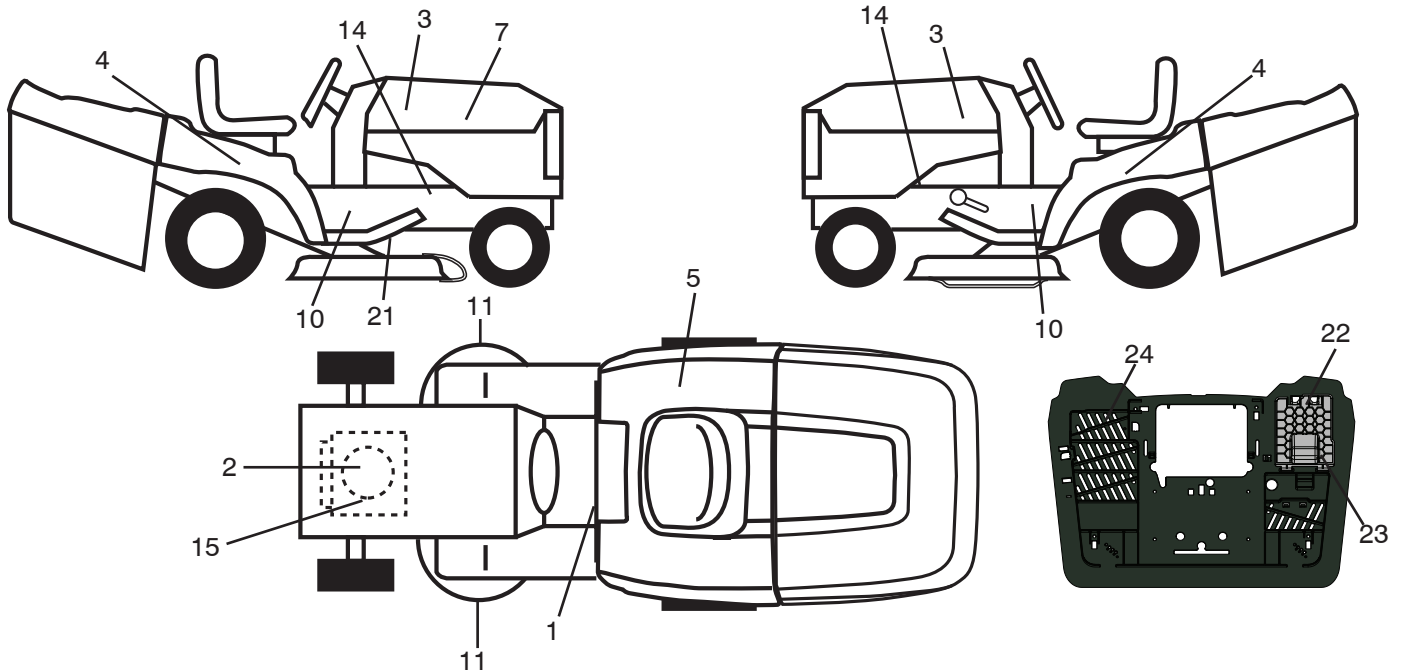
ILLUSTRATED PARTS LIST

MFG. ID NO. 96051006701

CUSTOMER CATALOG NO. M185-107TC

PRODUCT NO. 960 51 00-67

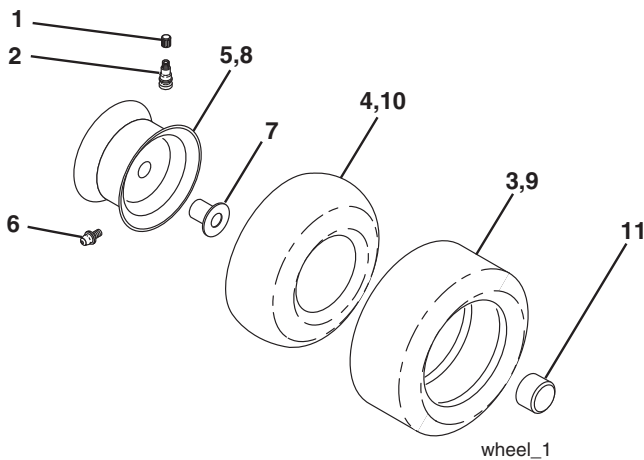
**TRACTOR - MODEL NO. M185-107TC (96051006701), PROD. NO. 960 51 00-67
DECALS 27**



KEY NO.	PART NO.	DESCRIPTION
1	581 57 83-01	Decal, Warning
2	581 57 97-01	Decal, Warning Eng. Sym.
3	581 09 12-01	Decal, Hood RH/LH
4	581 92 55-01	Decal, SD Fender
5	581 72 41-01	Decal, Certification
7	584 22 07-01	Decal, Replacement
10	581 57 98-01	Decal, Warning
11	581 57 91-01	Decal, Mower Cut Finger Symbol
14	581 57 96-01	Decal, Chassis Hot Muffler

KEY NO.	PART NO.	DESCRIPTION
15	532 43 74-20	Decal, Engine HP
21	532 44 11-89	Decal, Belt Sch CRD
22	532 44 51-02	Decal, Battery
23	532 44 46-19	Decal, Bypass
24	532 44 54-93	Decal, Info Warning
--	532 42 59-86	Pad Footrest RH
--	532 42 59-76	Pad Footrest LH
--	584 23 54-26	Manual Operator's (Euro)

WHEELS & TIRES

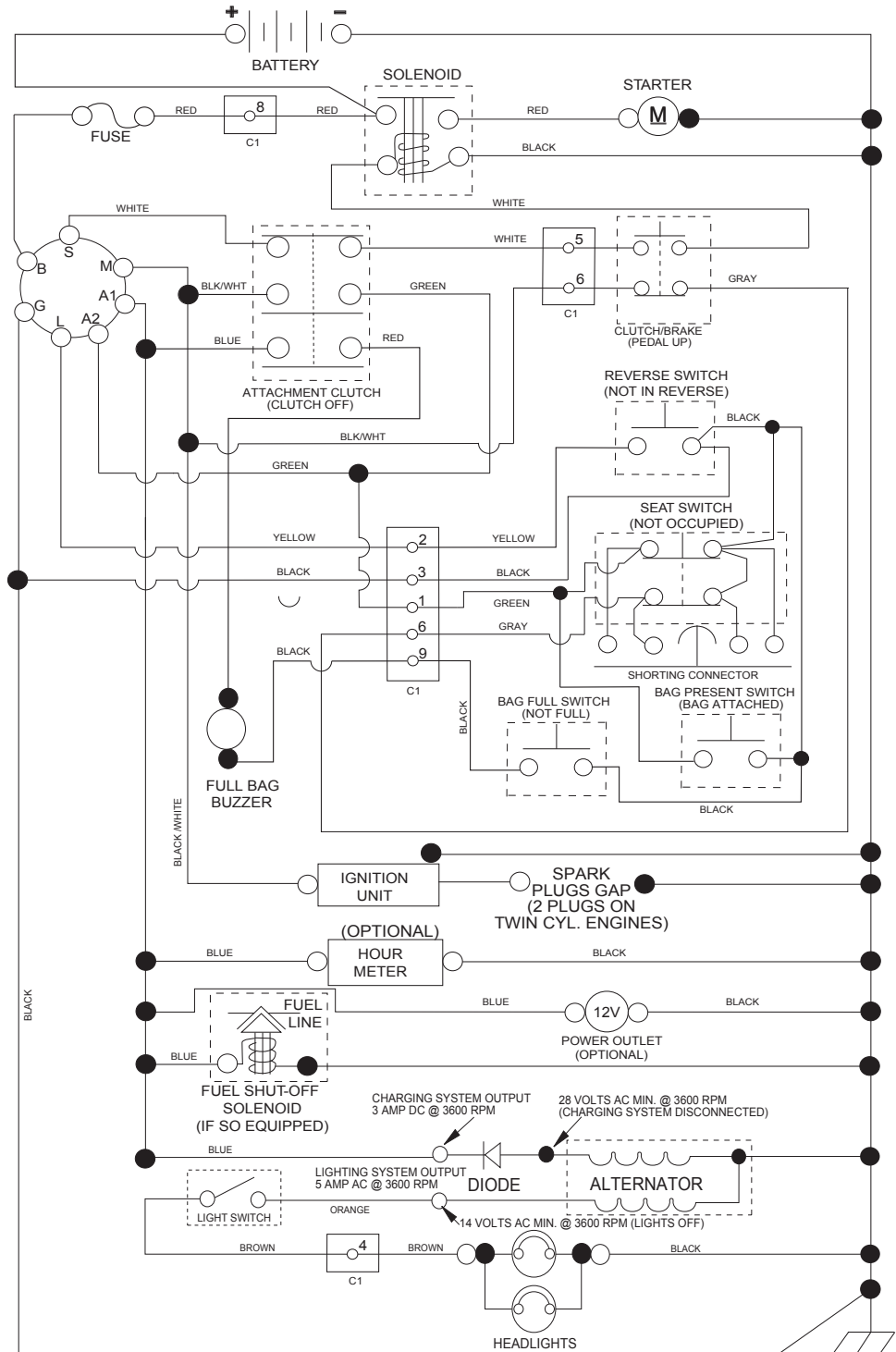


KEY NO.	PART NO.	DESCRIPTION
1	532 05 91-92	Cap Valve Tire
2	532 06 51-39	Stem Valve
3	532 10 62-22	Tire F Ts 15 x 6 0 - 6 Service
4	532 05 99-04	Tube Inner Front #35060
5	532 12 51-21	Rim Asm 6" Front Silver Service
6	532 12 49-57	Fitting Grease
7	532 12 49-59	Bearing Flange
8	532 12 51-22	Rim Asm 8" Rear Silver Service
9	532 42 05-31	Tire R.Ts-LT 18 x 9.5-8 C Ser.
10	532 12 49-26	Tube Rear 9 5 x 8 Service
11	532 19 32-68	Cap Axle Blk 1 50 x 1 00
--	532 14 43-34	Sealant, Tire (10 oz. Tube)

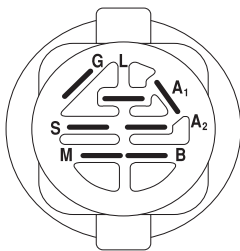
NOTE: All component dimensions given in U.S. inches
1 inch = 25.4 mm

TRACTOR - MODEL NO. M185-107TC (96051006701), PROD. NO. 960 51 00-67 SCHEMATIC **38**

SCH17

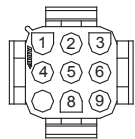


NOTE
YOUR TRACTOR IS EQUIPPED WITH A SPECIAL ALTERNATOR SYSTEM. THE LIGHTS ARE NOT CONNECTED TO THE BATTERY, BUT HAVE THEIR OWN ELECTRICAL SOURCE. BECAUSE OF THIS, THE BRIGHTNESS OF THE LIGHTS WILL CHANGE WITH ENGINE SPEED. AT IDLE THE LIGHTS WILL DIM. AS THE ENGINE SPEED IS INCREASED, THE LIGHTS WILL BECOME THEIR BRIGHTEST.

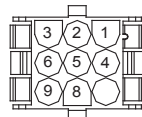


IGNITION SWITCH

POSITION	CIRCUIT	"MAKE"
OFF	M+G+A1	
RUN/OVERRIDE	B+A1	
RUN	B+A1	L+A2
START	B + S + A1	



CHASSIS HARNESS CONNECTOR (C1) (MATING SIDE)



DASH HARNESS CONNECTOR (C1) (MATING SIDE)

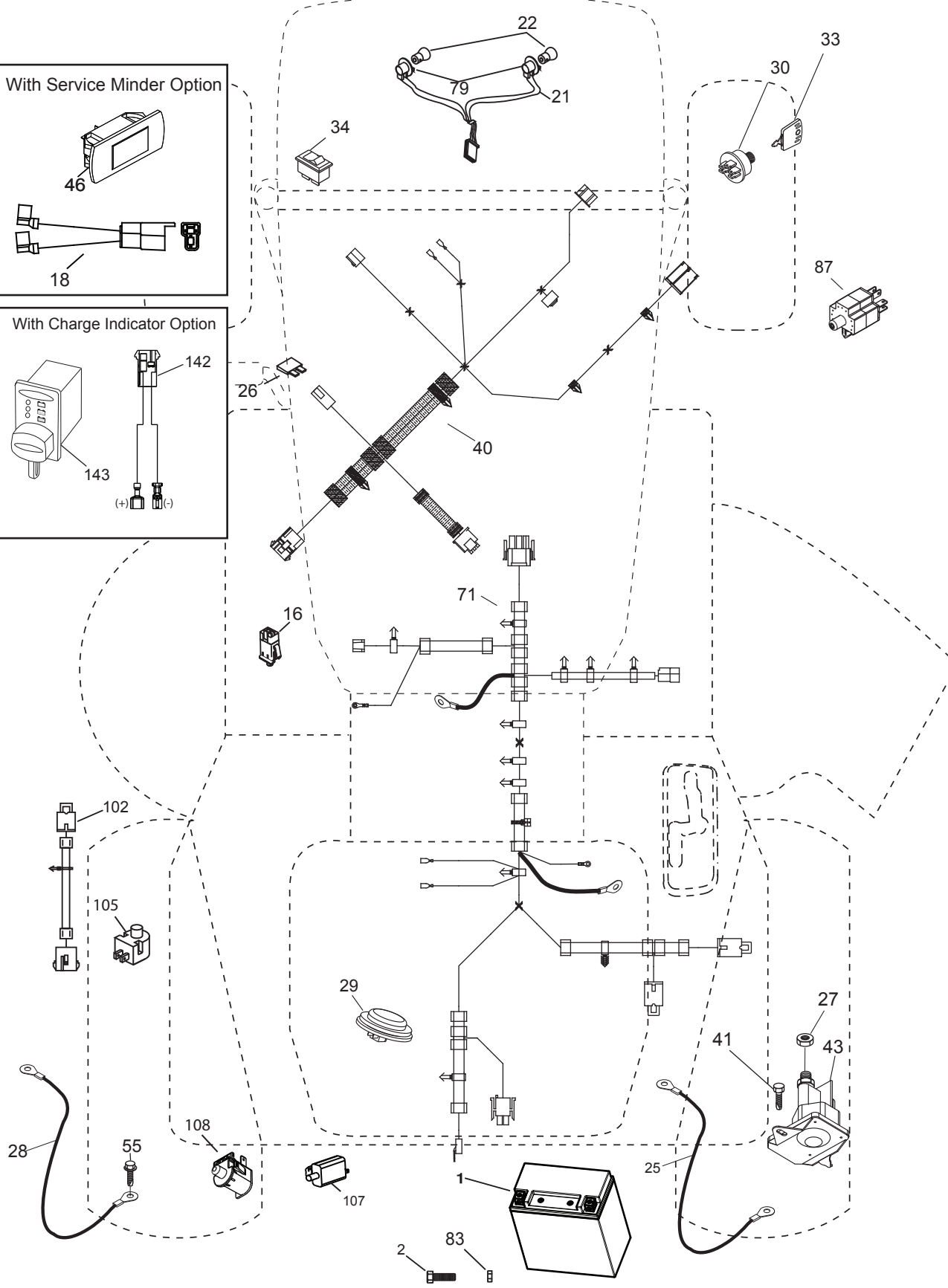
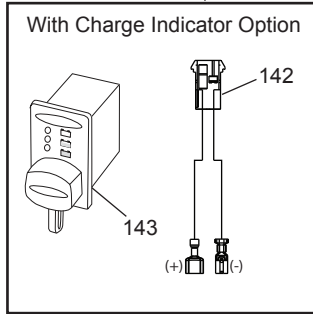
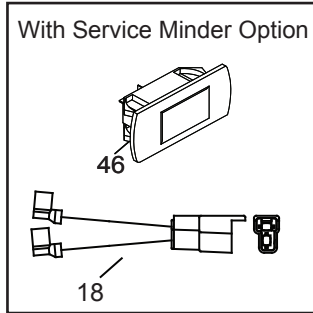
WIRING INSULATED CLIPS
NOTE: IF WIRING INSULATED CLIPS WERE REMOVED FOR SERVICING OF UNIT, THEY SHOULD BE RE-INSTALLED TO PROPERLY SECURE YOUR WIRING.

NON-REMOVABLE CONNECTIONS

REMOVABLE CONNECTIONS

TRACTOR - MODEL NO. M185-107TC (96051006701), PROD. NO. 960 51 00-67
ELECTRICAL 32

TC03S

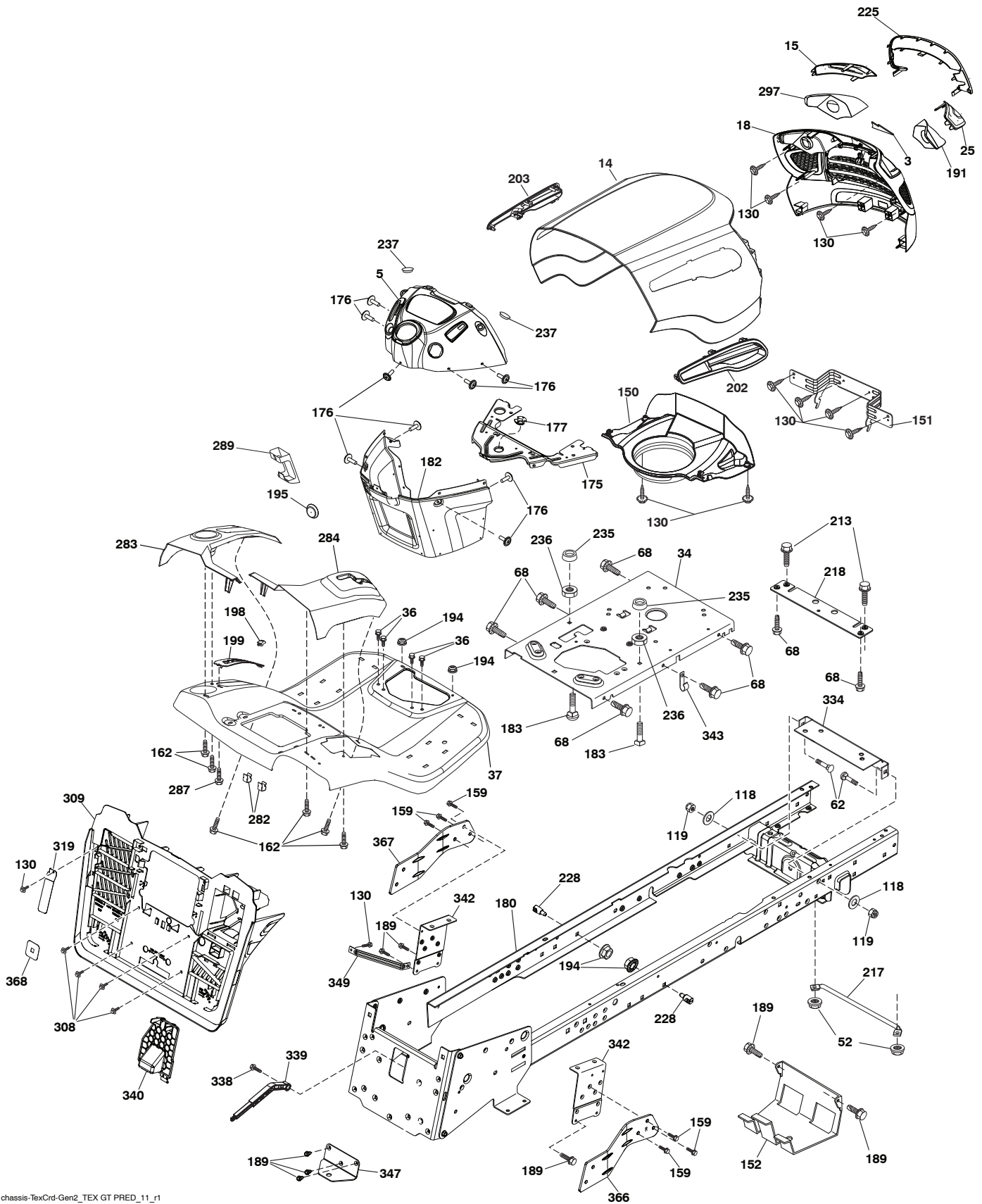


**TRACTOR - MODEL NO. M185-107TC (96051006701), PROD. NO. 960 51 00-67
ELECTRICAL 32**

KEY NO.	PART NO.	DESCRIPTION
1	532 43 71-57	Battery
2	532 44 09-23	Screw Hex Hd Cap M6 x 1.12mm
16	532 17 61-38	Switch Interlock
21	532 40 02-52	Harness Asm Light w/4152J
22	532 00 41-52	Bulb Light #1156
25	532 44 13-82	Cable Battery 8 AWG 20"-Red
26	532 17 51-58	Fuse
27	873 51 04-00	Nut Keps Hex 1/4-20 unc
28	532 44 13-83	Cable Ground 8 AWG 20"-Black
29	532 40 15-45	Switch Seat
30	532 19 33-50	Switch Ignition
33	532 41 19-35	Key/Chain
34	532 11 07-12	Switch Light
40	532 42 10-02	Harness Ignition Dash
41	817 72 04-08	Screw 1/4-20 x 1/2
43	532 19 25-07	Solenoid
55	817 06 05-12	Screw 5/16-18 x 3/4
71	532 44 08-20	Harness Chassis
79	532 17 52-42	Socket Asm.
83	532 43 67-74	Nut Square M6 x 1 x 8.5 x 11mm
87	532 42 10-60	Switch Railmount
102	532 44 12-62	Harness Pigtail
105	532 40 75-68	Switch Reverse
107	532 18 03-79	Switch Full Bagger Indicator
108	532 42 10-62	Switch Snapmount

NOTE: All component dimensions given in U.S. inches
1 inch = 25.4 mm

TRACTOR - MODEL NO. M185-107TC (96051006701), PROD. NO. 960 51 00-67
CHASSIS AND ENCLOSURES 39



chassis-TeXCrd-Gen2_TEX GT PRED_11_r1

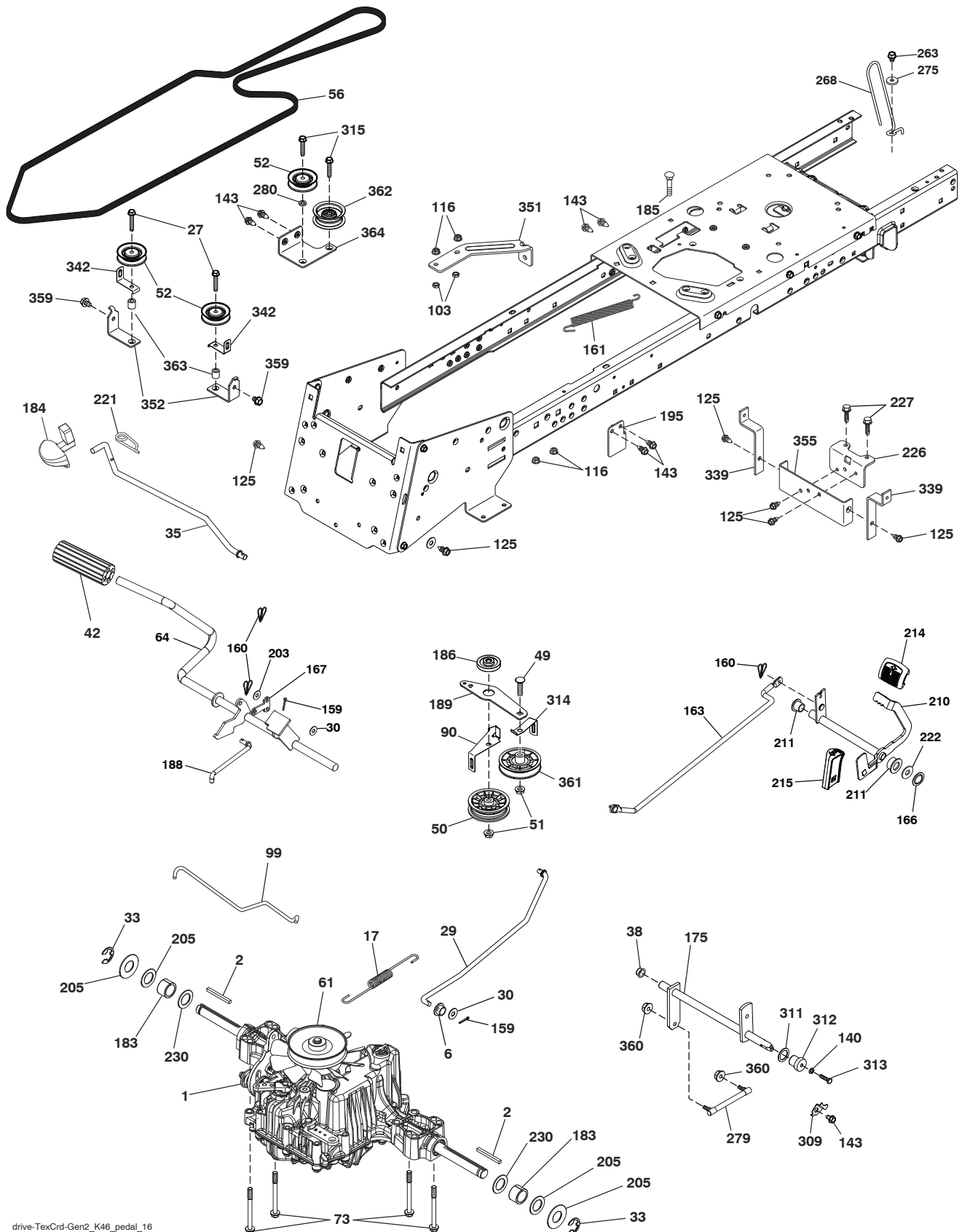
**TRACTOR - MODEL NO. M185-107TC (96051006701), PROD. NO. 960 51 00-67
CHASSIS AND ENCLOSURES 39**

KEY NO.	PART NO.	DESCRIPTION
3	578 89 71-01	Emblem Mount
5	532 44 66-39	Dash
14	532 44 80-42	Hood
15	581 10 31-01	Lens LH
18	581 10 29-01	Grille
25	581 10 30-01	Lens RH
34	580 91 09-01	Plate Engine
36	817 06 05-12	Screw 5/16-18 x 3/4
37	532 44 08-49	Fender
52	873 68 05-00	Nut Crown Lock 5/16
62	872 11 06-08	Bolt 3/8-16 x 1 Gr. 5
68	817 49 05-08	Screw Thdrol. 5/16-18 x 1/2
118	819 13 13-16	Washer 13/32 x 13/16 x 16 Ga.
119	873 68 06-00	Nut 3/8-16 unc
130	532 41 63-58	Screw #10 x 0.750 BOS Thread
150	584 86 29-03	Duct, Air
151	532 44 54-94	Bracket Pivot Hood
152	532 19 95-35	Shield Browning
159	817 00 06-12	Screw Hexwsh Thdr 3/8-16 x 3/4
162	532 14 24-32	Screw Hex Wsh. Hi-Lo 1/4 x 1/2 unc
175	532 19 63-04	Crossmember
176	532 40 07-76	Screw 10-24 x 5/8
177	532 19 52-27	Bushing Steering
180	583 90 27-01	Chassis
182	532 40 68-59	Dash Lower
183	874 52 05-20	Bolt 5/16-18 x 1-1/4
189	817 00 05-12	Screw 5/16-18 x 3/4
191	581 22 35-01	Insert Reflective RH
194	873 90 05-00	Nut Lock Hex Flange 5/16-18
195	532 40 41-37	Plug Hole Dash
198	532 44 80-48	Indicator Deck Lift
199	532 41 87-39	Plate Deck Lift
202	581 85 91-01	Vent Hood RH
203	581 85 92-01	Vent Hood LH

KEY NO.	PART NO.	DESCRIPTION
213	874 76 05-12	Bolt 5/16-18 x 3/4
217	532 40 91-67	Rod Pivot Hood
218	532 19 63-95	X-Piece Hood Stop
225	581 10 32-01	Trim Ring
228	532 19 51-61	Stud Fastener
235	532 40 61-29	Spacer Fender
236	873 93 05-00	Nut Lock 5/16-18 unc
237	532 40 37-04	Plug Mount Cargo
282	532 41 41-10	Clip Retainer
283	532 44 76-71	Console Deck Lift
284	532 44 72-11	Console Shift RH
287	817 60 04-06	Screw Hex Washhead 1/4-20 x 3/8
289	532 40 35-71	Plug Cruise/Phone
297	581 22 36-01	Insert Reflective LH
308	532 17 18-77	Bolt 5/16-18 unc x 3/4
309	581 32 89-02	Backplate Bagger
319	581 31 39-05	Lever Bagger
334	532 44 25-37	Engine Plate
338	532 43 66-40	Bolt Shoulder
339	532 43 66-41	Lever Bagger Full
340	581 32 90-01	Door Battery
342	532 43 59-38	Support Fender
343	532 44 07-49	Clip
347	532 44 58-32	Hitch
349	532 43 66-06	Bracket, Support
366	581 31 46-02	Bracket RH Front Bagger
367	581 31 45-02	Bracket LH Front Bagger
368	581 42 48-01	Full Lever Bagger
--	532 41 17-08	Plug Dash
--	532 40 09-44	Bumper

NOTE: All component dimensions given in U.S. inches
1 inch = 25.4 mm

TRACTOR - MODEL NO. M185-107TC (96051006701), PROD. NO. 960 51 00-67
 DRIVE **40**



drive-TexCrd-Gen2_K46_pedal_16

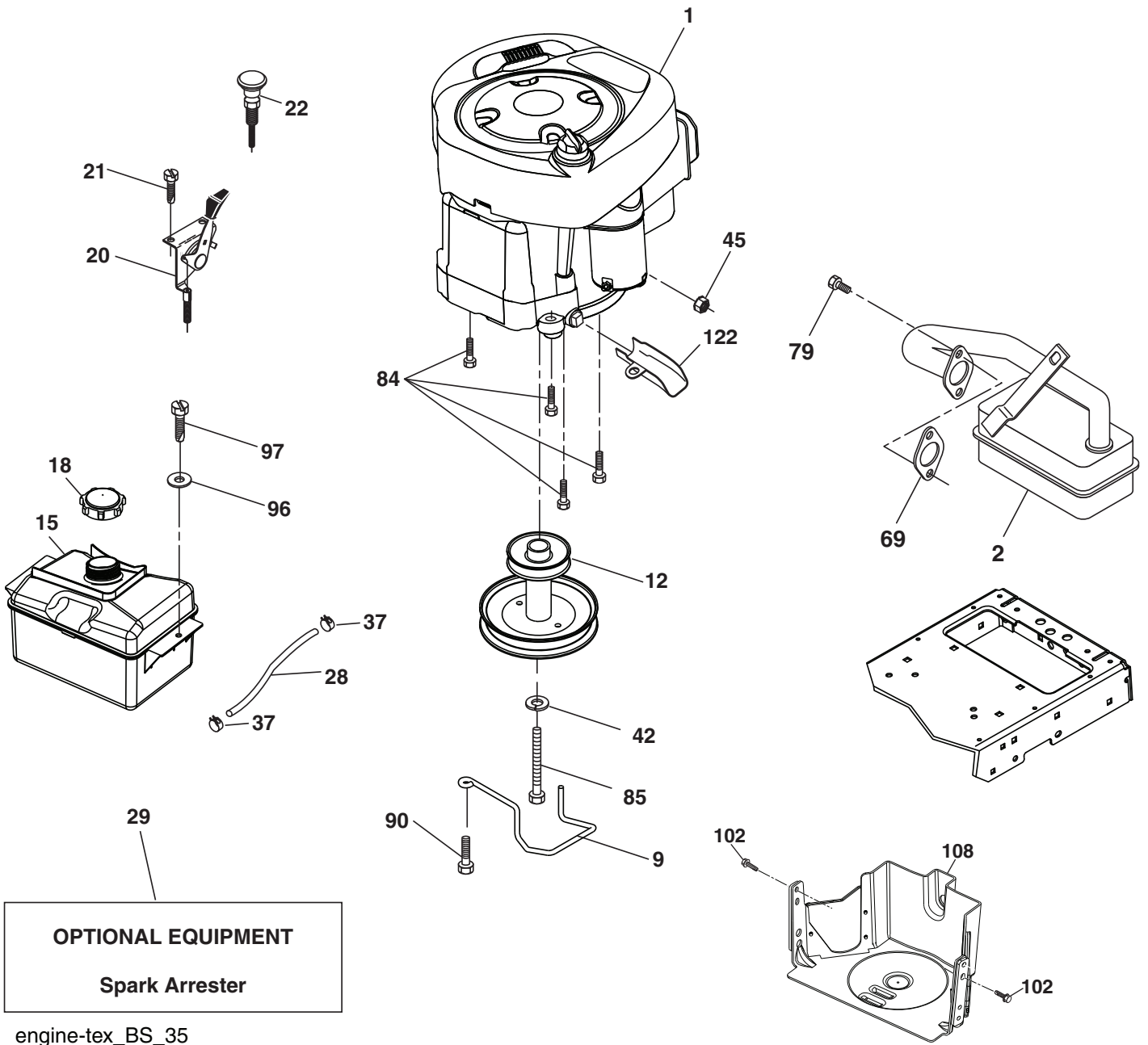
**TRACTOR - MODEL NO. M185-107TC (96051006701), PROD. NO. 960 51 00-67
DRIVE **40****

KEY NO.	PART NO.	DESCRIPTION
1	-----	Transaxle, Tufftorq K46DF (446488) (Order parts from transaxle manufacturer.)
2	532 12 35-83	Key Square
6	532 12 40-28	Bushing Snap
17	532 43 62-27	Spring Brake K46
27	817 49 05-28	Screw 5/16-18 x 1-3/4
29	532 44 27-95	Rod, Brake
30	819 13 16-16	Washer
33	812 00 00-01	Ring E
35	583 86 45-01	Rod, Brake, Park
38	532 16 96-13	Nyliner Snap In
42	532 12 48-72	Cover, Foot Pedal
49	872 11 06-14	Bolt 3/8-16 unc
50	532 19 43-27	Idler Flat
51	873 90 06-00	Lock Nut 3/8-16
52	532 19 95-34	Pulley-V-Idler.Grnd.Dr.Plated
56	532 44 27-81	V-Belt, Drive
61	532 44 51-51	Pulley Transaxle K46
64	532 19 78-65	Shaft Asm. Pedal Brake Control
73	874 49 05-44	Bolt Hex 5/16-18 x 3.75
90	532 44 36-05	Keeper Belt Clutching
99	532 44 39-47	Rod Spring Bypass
103	873 35 05-00	Nut Hex Jam 5/16-18 unc
116	873 90 05-00	Nut Lock Hex Flange 5/16-18
125	817 00 05-12	Screw 5/16-18 x 3/4
140	810 04 04-00	Washer Lock Hvy Helical 1/4
143	817 49 05-08	Screw 5/16-18 x 1/2
159	876 02 04-12	Pin Cotter 1/8 x 3/4
160	532 16 94-84	Retainer Clip
161	532 10 57-09	Spring, Return, Clutch
163	532 44 27-93	Rod Control
166	532 42 91-64	Nut Push
167	532 40 52-57	Latch Brake Parking
175	532 42 93-59	Shaft Asm. Shift
183	532 13 70-57	Spacer Axle
184	532 44 14-55	Handle Parking Brake
185	872 11 06-22	Bolt 3/8-16 unc x 2-3/4
186	532 19 43-21	Spacer Retainer
188	532 19 43-23	Link Clutch

KEY NO.	PART NO.	DESCRIPTION
189	532 43 36-11	Bellcrank Ground Drive
195	580 45 69-01	Bracket Rod Brake CRD Tex
203	819 11 11-16	Washer 11/32 x 11/16 x 16 Ga.
205	532 12 17-48	Washer 25/32 x 1-5/8 x 16 Ga.
210	532 40 09-80	Rocker Asm. Pedal Control
211	532 12 01-83	Bearing Nylon
214	532 42 12-63	Pedal Forward
215	532 41 94-82	Pedal Reverse
221	532 40 31-87	Retainer Spring Clip Handle
222	879 21 20-10	Washer 21/32 x 1-1/4 10 Ga.
226	532 40 15-64	Bracket Strap Torque
227	817 49 05-12	Screw Thdrol 5/16-18 x 3/4
230	532 18 89-67	Washer Hardened
279	532 44 42-83	Link Shift
280	819 11 10-12	Washer 11/32 x 5/8 x 12 Ga.
309	532 16 55-81	Plate Fstnr Cross Shf
311	532 16 98-45	Washer Nylon
312	532 16 56-14	Hub Tapered
313	874 78 04-16	Bolt Hex Fin 1/4-20 unc x 1 Gd5
314	532 44 47-13	Retainer Belt
315	817 58 05-20	Screw Thdrol 5/16-18 x 4.25
339	532 43 68-67	Strap Torque K46
342	532 18 26-82	Keeper Belt
351	532 43 69-98	Bracket 97 CRD Deck Sway
352	532 43 56-45	Bracket Idler
355	532 43 56-69	Bracket
359	817 49 06-10	Screw Hxwsh Thdr. 3/8-16 x 5/8
360	532 44 47-14	Nut Hex 5/16-24
361	532 19 43-26	Idler V-Groove
362	532 43 68-12	Idler Flat
363	532 44 27-80	Spacer
364	532 44 30-32	Bracket Idler

NOTE: All component dimensions given in U.S. inches
1 inch = 25.4 mm

TRACTOR - MODEL NO. M185-107TC (96051006701), PROD. NO. 960 51 00-67
ENGINE 24



engine-tex_BS_35

**TRACTOR - MODEL NO. M185-107TC (96051006701), PROD. NO. 960 51 00-67
ENGINE 24**

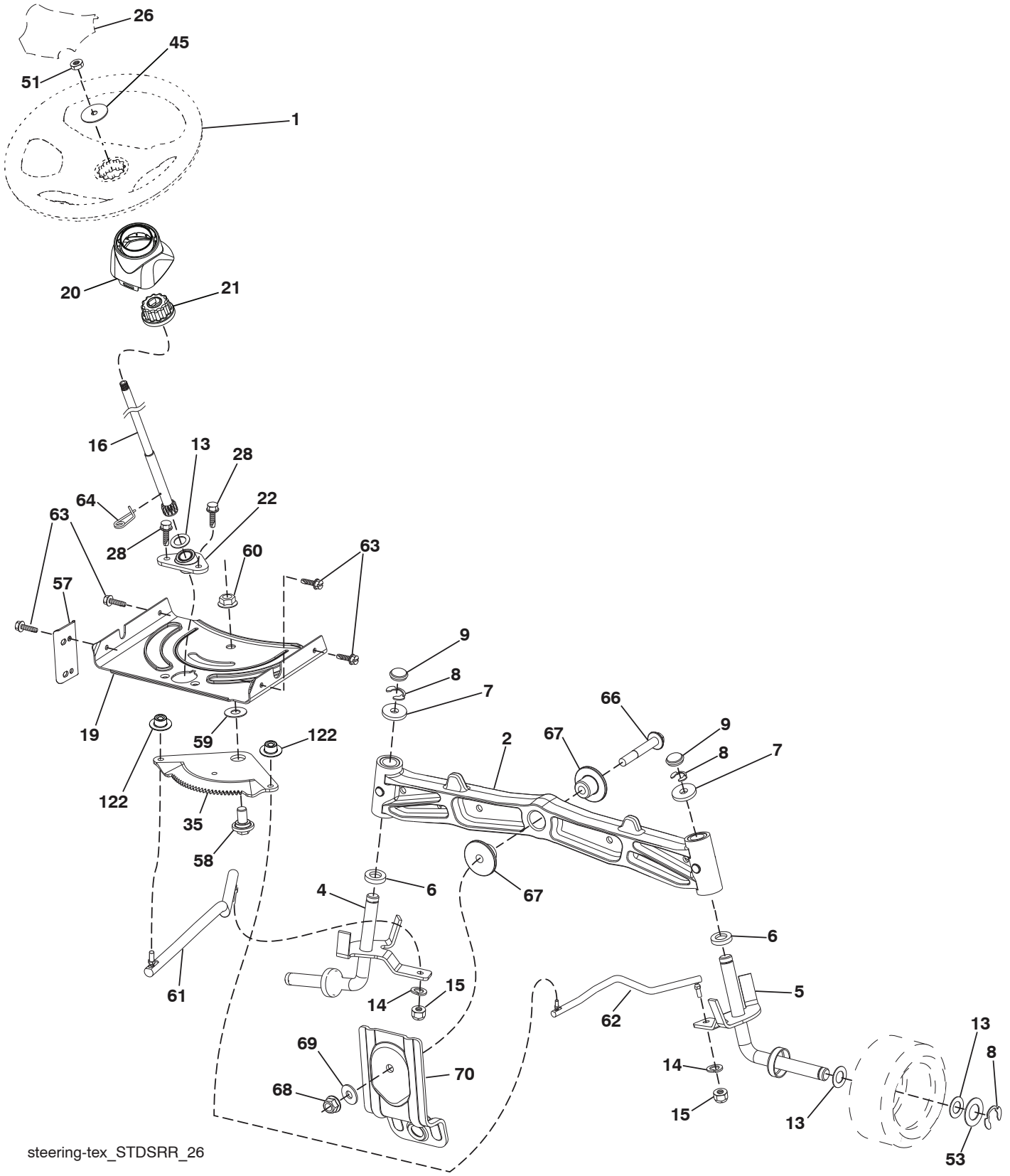
KEY NO.	PART NO.	DESCRIPTION
1	-----	Engine Briggs Model 31N707-2441-B1 (438156) (Order parts from engine manufacturer.)
2	532 13 73-52	Muffler
9	532 19 43-20	Keeper Belt Engine
12	532 40 54-71	Pulley Engine
15	532 43 08-25	Tank Fuel
18	532 43 02-20	Cap Fuel
20	532 40 15-08	Control Throttle/Choke
21	532 41 63-58	Screw #10 x 0.750
22	532 19 49-81	Control Choke
28	532 13 70-40	Line Fuel
29	532 13 71-80	Kit Spark Arrester (Flat Scrn)
37	532 12 34-87	Clamp Hose Blk
42	810 04 07-00	Washer Lock 7/16
45	873 51-04-00	Nut Keps Hex 1/4-20 unc
69	532 16 52-91	Gasket Muffler
79	532 19 23-34	Screw 5/16-18 x .75
84	817 06 06-20	Screw 3/8-16 x 1-1/4
85	532 17 39-37	Bolt 7/16-20 x 4 x Gr. 5-1.5 THR
90	817 00 06-16	Screw 3/8-16 x 1
96	819 09 14-16	Washer 9/32 x 7/8 x 16 Ga.
97	817 67 04-12	Screw Hexwsh Thdrol 1/4-20 x 3/4
102	817 06 05-16	Screw 5/16-18 x 1
108	532 42 30-41	Cover Pulley
122	532 42 19-22	Extension Drain Oil

NOTE: All component dimensions given in U.S. inches
1 inch = 25.4 mm

Engine Power Rating Information

The gross power rating for individual gas engine models is labeled in accordance with SAE (Society of Automotive Engineers) code J1940 (Small Engine Power & Torque Rating Procedure), and rating performance has been obtained and corrected in accordance with SAE J1995 (Revision 2002-05). Torque values are derived at 3060 RPM; horsepower values are derived at 3600 RPM. Actual gross engine power will be lower and is affected by, among other things, ambient operating conditions and engine-to-engine variability. Given both the wide array of products on which engines are placed and the variety of environmental issues applicable to operating the equipment, the gas engine will not develop the rated gross power when used in a given piece of power equipment (actual "on-site" or net power). This difference is due to a variety of factors including, but not limited to, accessories (air cleaner, exhaust, charging, cooling, carburetor, fuel pump, etc.), application limitations, ambient operating conditions (temperature, humidity, altitude), and engine-to-engine variability. Due to manufacturing and capacity limitations, Briggs & Stratton may substitute an engine of higher rated power for this Series engine.

TRACTOR - MODEL NO. M185-107TC (96051006701), PROD. NO. 960 51 00-67
STEERING ASSEMBLY 41



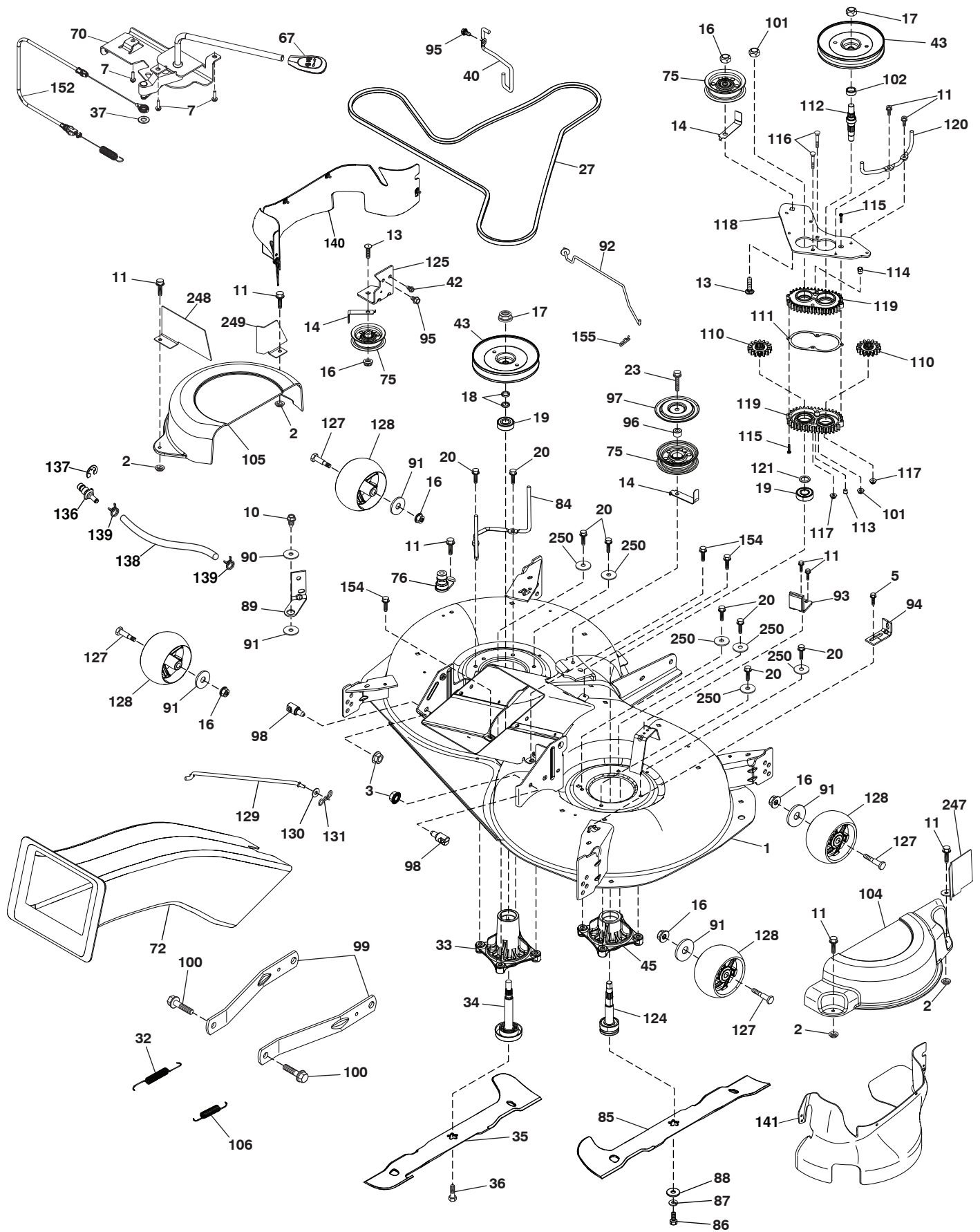
steering-tex_STDSRR_26

**TRACTOR - MODEL NO. M185-107TC (96051006701), PROD. NO. 960 51 00-67
STEERING ASSEMBLY **41****

KEY NO.	PART NO.	DESCRIPTION
1	532 44 28-04	Wheel, Steering
2	532 19 59-68	Axle Asm., Front
4	532 40 30-87	Spindle Asm., LH
5	532 40 30-88	Spindle Asm., RH
6	532 12 49-31	Bearing, Race Thrust Harden
7	532 12 17-48	Washer 25/32 x 1-5/8 x 16 Ga.
8	812 00 00-29	Ring, Klip #T5304-75
9	532 12 12-32	Cap, Spindle
13	532 12 17-49	Washer 25/32 x 1-1/4 x 16 Ga.
14	810 04 06-00	Washer, Lock Hvy Hlcl Spr 3/8
15	873 54 06-00	Nut, Crown Lock 3/8-24 unf
16	532 19 47-46	Shaft Steering
19	532 19 47-29	Plate Steering
20	532 42 47-40	Boot, Steering
21	532 18 67-37	Adapter, Wheel Steering
22	532 42 05-37	Strg. Supt. Lower
26	532 44 77-59	Insert, Wheel Cap
28	817 00 06-12	Screw 3/8-16 x 3/4
35	532 19 47-32	Gear, Sector Plate
45	819 18 38-12	Washer 9/16 ID x 2-3/8 OD x 12 Ga.
51	873 94 08-00	Nut Hex Jam
53	532 18 89-67	Washer Hardened .793 x 1.637 x .060
57	532 40 74-65	Bracket Upstop
58	532 19 47-47	Bolt Shoulder Sector Pivot CFM
59	532 19 47-48	Washer Thrust Sector Steering
60	873 97 10-00	Nut Flange Lock 5/8-11
61	532 19 47-40	Draglink, LH
62	532 19 47-41	Draglink, RH
63	817 00 05-12	Screw 5/16-18 x 3/4
64	532 19 98-49	Retainer Clip Spring Steering
66	871 02 07-48	Bolt Hex Fghd 7/16-14 x 3 Serr
67	532 19 47-37	Bushing PM Front Axle
68	873 90 07-00	Nut Lock Flange 7/16-14 Gr. 5
69	532 19 91-62	Washer 1.5 x .505 x .118
70	532 19 61-97	Bracket Deck Susp. Front
122	532 44 49-62	Cap Gear Sector

NOTE: All component dimensions given in U.S. inches
1 inch = 25.4 mm

TRACTOR - MODEL NO. M185-107TC (96051006701), PROD. NO. 960 51 00-67
MOWER DECK 44

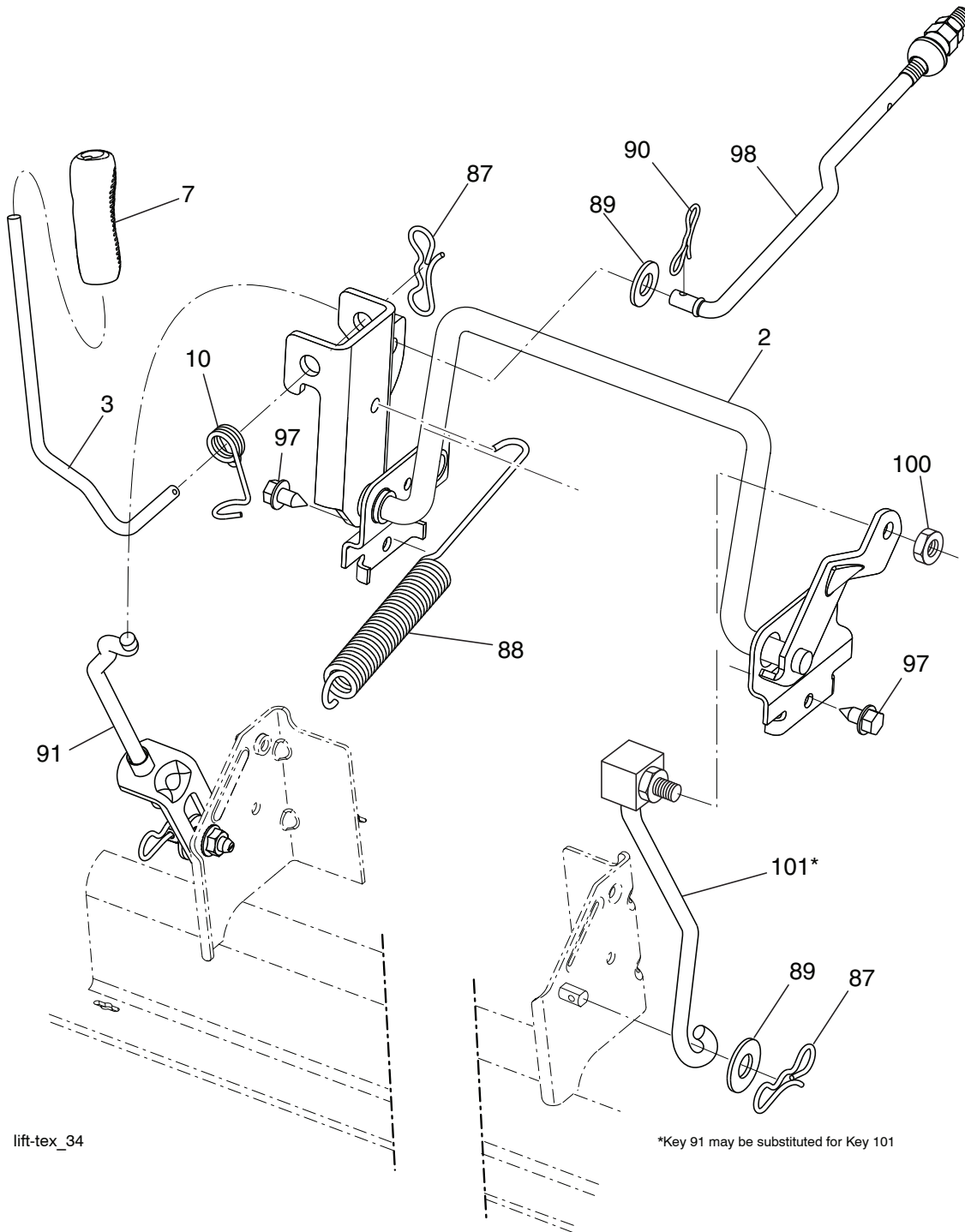


TRACTOR - MODEL NO. M185-107TC (96051006701), PROD. NO. 960 51 00-67
MOWER DECK 44

KEY NO.	PART NO.	DESCRIPTION	KEY NO.	PART NO.	DESCRIPTION
1	532 44 77-36	Deck Weldment	105	532 44 47-55	Mandrel Cover LH
2	532 42 30-62	Palnut	106	532 19 32-16	Spring Brake Return
3	873 90 05-00	Nut Lock Hex Flange 5/16-18	110	532 41 53-56	Gear Output
5	817 00 05-10	Bolt 5/16-18	111	532 43 69-79	Gasket Gearcase
7	532 41 63-58	Screw #10 x 0.750 BOS Thread	112	532 44 38-52	Shaft Gearcase Adapter
10	817 00 06-16	Screw 3/8-16 x 1 smgml tap	113	532 43 85-33	Plug Oil
11	532 13 77-29	Screw Thd Roll 1/4-20 X 5/8	114	532 43 85-34	Valve Relief
13	872 11 06-12	Bolt Carr Sh 3/8-16 X 1-1/2 Gr. 5	115	818 03 10-16	Screw Torx #10-24 x 1
14	532 15 60-85	Keeper Belt Idler	116	872 11 04-14	Bolt 1/4-20 x 1.75 Gr. 5
16	873 90 06-00	Nut Lock FIG 3/8 - 16 unc	117	873 90 04-00	Nut Hex Flange 1/4-20 unc
17	532 40 02-34	Nut Flange Lock Top	118	532 44 32-32	Arm Clutching
18	532 18 76-90	Washer Spacer Mandrel	119	532 43 81-66	Gearcase Subasm
19	532 11 04-85	Bearing Ball Mandrel	120	532 44 32-36	Keeper Belt RH
20	532 17 39-84	Screw Thread Roll	121	532 43 69-85	Washer
23	817 49 06-28	Screw Thdrol 3/8-16 X 1-3/4	124	581 65 07-01	Shaft Asm Mndrel Short
27	532 44 58-80	V-Belt Drive	125	532 44 04-20	Bracket Idler Chassis
32	532 40 18-72	Spring Return Deck	127	532 19 34-06	Bolt Shoulder 3/8-16 x 3-5/8 Gr. 5
33	580 79 61-01	Mandrel Asm. Tall	128	532 17 48-73	Wheel Gauge
34	580 85 47-01	Shaft Asm Mndrel Tall	129	532 44 32-37	Rod Anti-Sway
35	581 51 79-01	Blade Mower LH	130	819 13 13-12	Washer 13/32 x 13/16 x 12 Ga.
36	532 19 30-03	Bolt/Washer Asm 7/16-20 unf	131	532 19 42-08	Pin Cotter 5/16 Bow Tie Lock
37	819 13 13-16	Washer 13/32 x 13/16 x 16 Ga.	136	532 43 96-39	Washout Port Remote
40	532 19 72-58	Keeper Belt Engine LH	137	812 00 00-29	Ring Klip
42	817 00 05-12	Screw 5/16-18 x 3/4	138	532 44 76-67	Washout Port Hose
43	532 44 32-39	Pulley Mandrel	139	532 44 07-42	Hose Clamp
45	581 65 08-01	Mandrel Asm. Short	140	580 36 99-01	Guard French LH
67	532 40 30-12	Handle Clutch Cable	141	532 44 77-03	Guard French RH
70	532 19 99-72	Clutch Asm Manual	152	532 44 76-66	Cable Clutch Manual w/Spring
72	581 45 41-01	Chute Upper	154	532 19 98-55	Screw Thd Roll 1/4-20 x 1/2
75	532 13 14-94	Pulley Idler Flat	155	532 12 47-88	Retainer Spring
76	532 43 96-40	Washout Port	247	581 26 34-02	Guard Steel
84	532 44 32-35	Keeper Belt LH Mandrel	248	581 26 36-02	LH Rear French Steel Guard
85	581 51 80-01	Blade Mower RH	249	581 26 35-02	LH Front French Steel Guard
86	532 18 17-13	Bolt 3/8-24 x 1.50 Gr. 8	250	819 11 12-12	Washer 11/32 x 3/4 x 12 Ga.
87	810 03 06-00	Washer Lock Hvy 3/8	--	580 85 60-01	Mandrel Assembly-Tall(Includes Housing (key #33), Shaft Assembly (key #34), and Bearing (key #19) Only - Pulley/Nut/Washer And Blade Bolt/Washers Not Included)
88	532 14 02-96	Washer Hard Blade Mower Vented	--	581 65 05-01	Mandrel Assembly-Short(Includes Housing (key #45), Shaft Assembly (key #124), and Bearing (key #19) Only - Pulley/Nut/Washer And Blade Bolt/Washers Not Included)
89	532 19 72-61	Arm Brake 97 LH	--	581 96 49-01	Replacement Mower Complete
90	532 19 90-92	Spacer Retainer			
91	819 13 20-12	Washer 13/32 x 1-1/4 x 12 Ga.			
92	532 44 32-33	Rod Brake Assembly			
93	532 43 81-25	Arm Brake RH			
94	532 19 72-50	Bracket Clutch Cable			
95	817 00 06-12	Screw 3/8-16 x 3/4			
96	532 40 02-71	Spacer			
97	532 18 20-61	Shield Idler Mower			
98	532 19 51-61	Stud Fastener			
99	532 19 51-86	Arm Suspension Mower Rear			
100	532 19 65-39	Bolt Shoulder			
101	873 68 09-00	Nut Crownlock 9/16 - 18 unc			
102	532 40 25-11	Spacer Bearing Swing Plate			
104	581 71 40-01	Mandrel Cover RH			

NOTE: All component dimensions given in U.S. inches
1 inch = 25.4 mm

TRACTOR - MODEL NO. M185-107TC (96051006701), PROD. NO. 960 51 00-67
MOWER LIFT 45



lift-tex_34

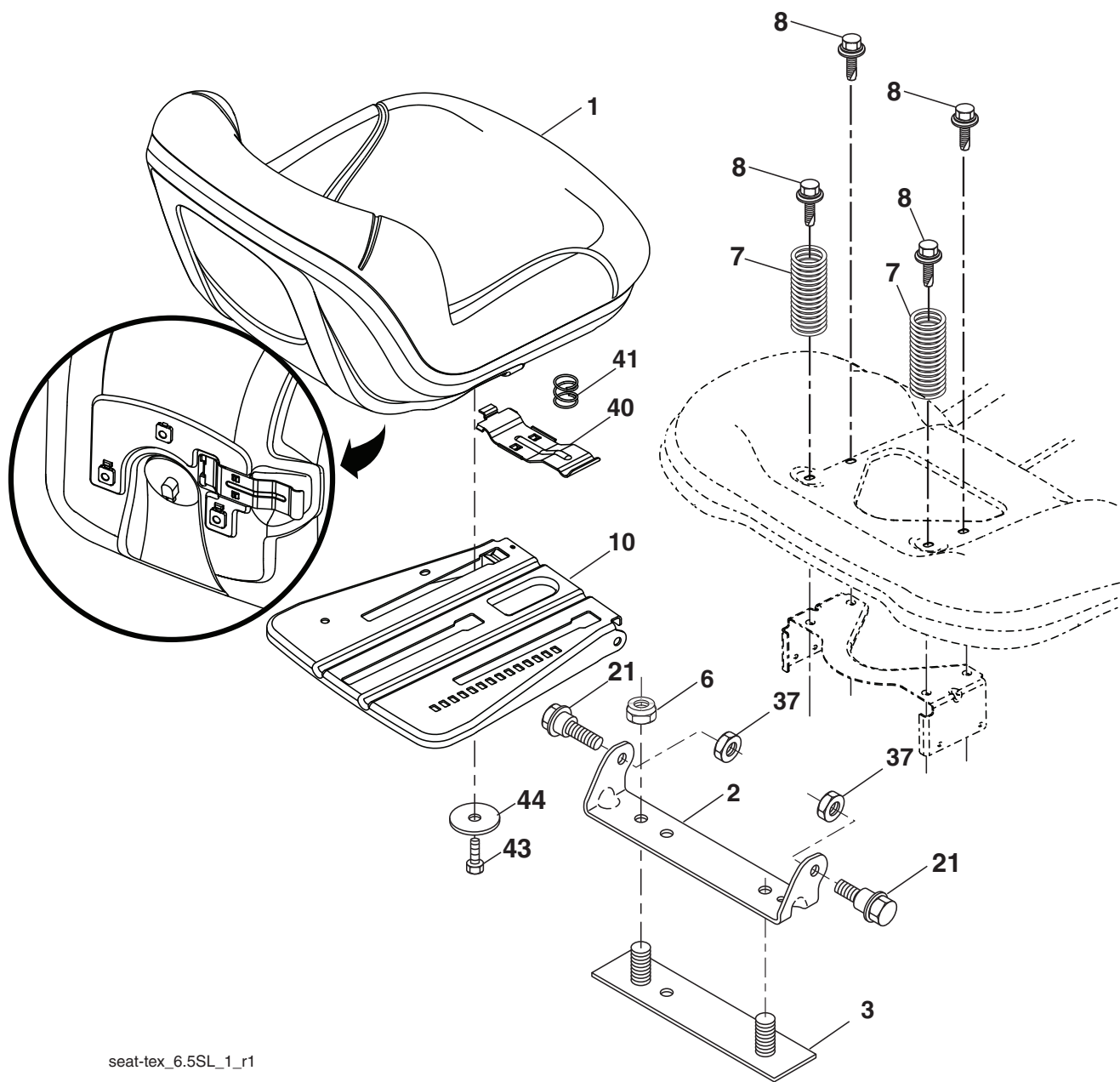
*Key 91 may be substituted for Key 101

KEY NO.	PART NO.	DESCRIPTION
2	532 43 69-96	Deck Lift
3	532 19 52-31	Lever Asm., Lift RH
7	580 96 23-01	Grip, Lever
10	532 19 63-14	Spring Torsion
87	532 19 42-09	Pin Cotter 7/16 Bow Tie Lock
88	532 44 54-96	Spring Lift Assist
89	819 19 19-12	Washer 17/32 x 1-3/16 x 12 Ga.
90	532 19 42-08	Pin Cotter 5/16 Bow Tie Lock

KEY NO.	PART NO.	DESCRIPTION
91	532 19 51-81	Link Lift Susp Mower Rear
97	817 49 06-08	Screw 3/8-16 x 1/2
98	532 19 52-70	Link Lift Susp. Front Mower
100	873 93 06-00	Nut Centerlock 3/8-16 unc
101	532 40 70-03	Link Asm Lift Fixed

NOTE: All component dimensions given in U.S. inches
 1 inch = 25.4 mm

**TRACTOR - MODEL NO. M185-107TC (96051006701), PROD. NO. 960 51 00-67
SEAT ASSEMBLY 42**



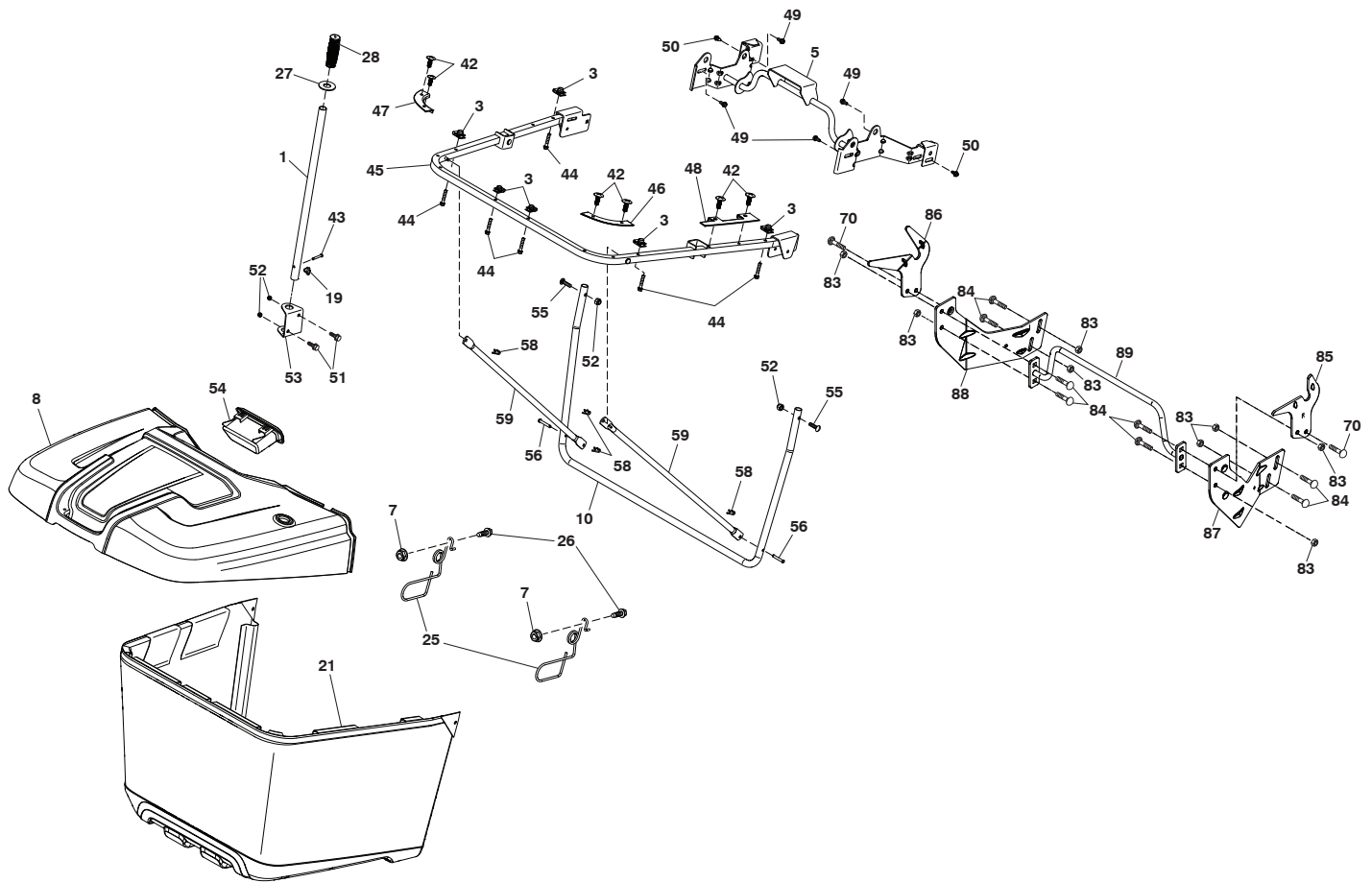
seat-tex_6.5SL_1_r1

KEY NO.	PART NO.	DESCRIPTION
1	581 46 22-01	Seat
2	532 18 01-66	Bracket Pnt Pivot Fender
3	532 14 06-75	Strap
6	873 80 06-00	Nut Lock Hex w/Ins 3/8-16
7	532 12 41-81	Spring Seat Cprsn 2 250 Blk Zi
8	532 17 18-77	Bolt 5/16-18 unc x 3/4
10	532 19 69-77	Pan Pnt Seat
21	532 17 18-52	Bolt Shoulder 5/16-18 unc-2A

KEY NO.	PART NO.	DESCRIPTION
37	873 80 05-00	Nut Hex Lock w/Ins 5/16-18
40	532 19 76-61	Handle Slide
41	532 19 82-00	Spring Latch
43	874 76 06-12	Bolt 3/8-16 unc x 3/4
44	819 13 38-12	Washer 13/32 x 2-3/8 x 12 Ga.

NOTE: All component dimensions given in U.S. inches
1 inch = 25.4 mm

TRACTOR - MODEL NO. M185-107TC (96051006701), PROD. NO. 960 51 00-67
BAGGER **46**



Bagger_TexCRD-Gen2_5_r2

**TRACTOR - MODEL NO. M185-107TC (96051006701), PROD. NO. 960 51 00-67
BAGGER 46**

KEY NO.	PART NO.	DESCRIPTION
1	532 42 86-10	Tube Handle Bagger
3	532 17 48-14	Nut Push
5	532 44 37-62	Frame Asm Top Bagger
7	873 90 04-00	Nut Hex Flange 1/4-20 unc
8	532 44 78-28	Cover Bagger
10	532 44 37-55	Frame Front
19	532 19 42-08	Cotter Pin 5/16 Bow Tie
21	581 33 71-01	Bag Asm
25	532 44 55-28	Latch Bagger
26	817 49 04-12	Screw Hexwsh Thdrol 1 1/4~20x3/4
27	532 44 55-29	Grommet Rubber
28	532 16 57-87	Grip Handle Black
42	532 44 04-28	Christmas Tree Clip
43	532 12 68-75	Clevis Pin
44	532 19 96-87	Bolt 1/4-20 1.50
45	532 44 37-54	Upper U Frame Weldment
46	532 44 55-41	Bagger Corner Close-Out RH
47	532 44 40-79	Bagger Corner Close-Out LH
48	532 44 40-80	Top Bagger Side Close-Out
49	532 17 18-73	Bolt Shoulder 5/16~ 18 TT
50	532 17 18-77	Bolt 5/16-18 unc x 3/4 W/SEMS
51	872 11 05-06	Bolt RDHDSQNK 5/16-18 unc x 3/4
52	873 80 05-00	Nut Lock HX W/INS 5/16-18 UNC
53	532 44 41-95	Bracket Dump Handle
54	532 44 75-43	Bagger TOP Front Handle
55	872 14 05-12	Bolt Rdhd Sq 5/16-18UNCX1 1/2
56	532 42 03-06	Pin Clevis .1830DX1.26 long
58	532 08 51-79	Clip Retainer PM
59	532 44 47-63	Bagger Spread Tube
70	817 00 06-12	Bolt 3/8-16X3/4
83	873 80 06-00	Nut Lock Hex w/Ins 3/8-16
84	872 11 06-08	Bolt RDHD SQNK 3/8-16 x 1 Gr. 5
85	581 31 44-02	Bracket RH Pivot
86	581 31 43-02	Bracket LH Pivot
87	581 31 48-02	Bracket RH
88	581 31 47-02	Bracket LH
89	581 31 51-02	Tube Asm.

NOTE: All component dimensions given in U.S. inches
1 inch = 25.4 mm

