

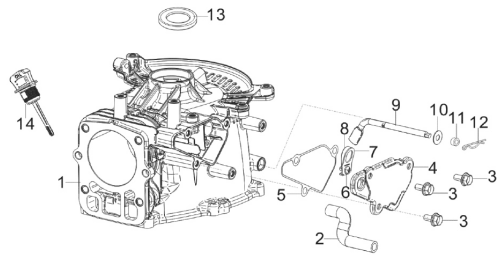


SPARE PARTS LIST

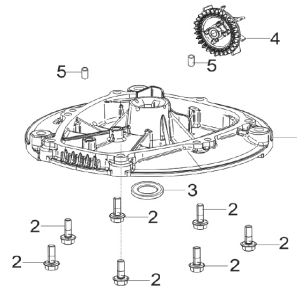
LAWN MOWERS: CONSUMER
WALK-BEHINDS

M46-120 R CLASSIC, 96768270100,
2018-01

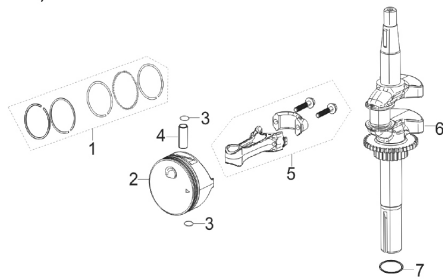
E01
CRANKCASE SUBASSEMBLY



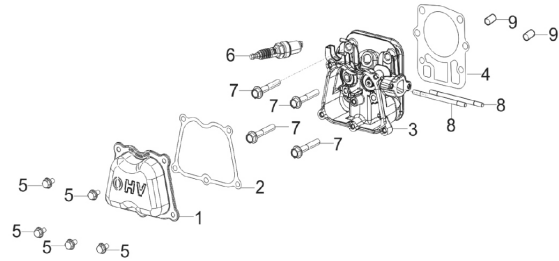
E02
CRANKCASE COVER SUBASSEMBLY



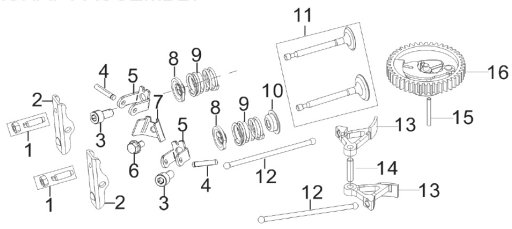
E03
PISTON, CONNECTING ROD & CRANKSHAFT



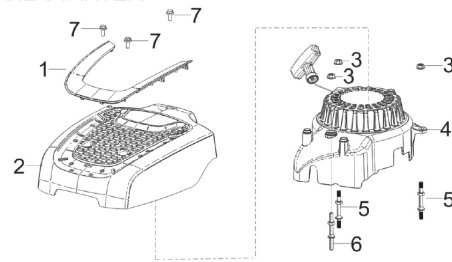
E04
CYLINDER HEAD SUBASSEMBLY & SPARK PLUG



E05
CAMSHAFT ASSEMBLY



E06
RECOIL STARTER

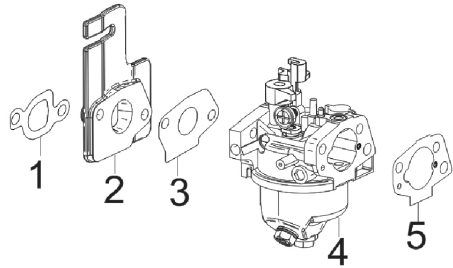


ENGINE RATO RVM120

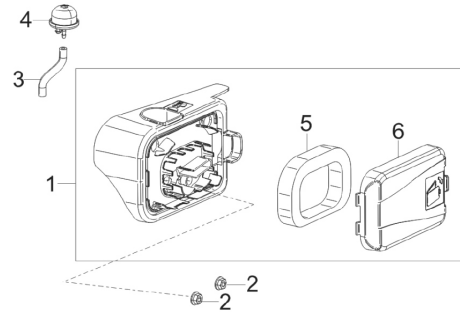
M46-120 R CLASSIC, 96768270100, 2018-01

Ref	Part No	Description	Remark	QTY	KIT
	593 05 40-01	CRANKCASE	Crankcase	1	E01 - 1
	593 05 45-01	CRANKCASE KIT	Misc Crankcase Parts Kit	1	E01 - 2-5 & 9-13
	593 05 49-01	DIPSTICK	Dipstick	1	E01 - 14
	593 05 47-01	CRANKSHAFT SYSTEM	Crankcase Cover	1	E02 - 1
	593 05 57-01	GOVERNOR KIT	Govenor and Oil Seal Kit	1	E02 - 2-5
	593 05 53-01	CRANKSHAFT KIT	Crankshaft Kit	1	E03 - 6, 7
	593 05 61-01	PISTON ASSY	Piston & Rod Kit	1	E03 - 1-5
	593 05 71-01	PLUG	Spark Plug	1	E04 - 6
	593 05 73-01	CYLINDER HEAD	Cylinder Head	1	E04 - 3
	593 05 74-01	CAMSHAFT	Camshaft and Valve Train Kit	1	E04 - 1, 2, 4-9 & E05 - 1-16
	593 05 77-01	COVER KIT	Top Cover Kit	1	E06 - 1, 2, 7
	593 05 79-01	STARTER ASSY	Starter Kit	1	E06 - 3-6

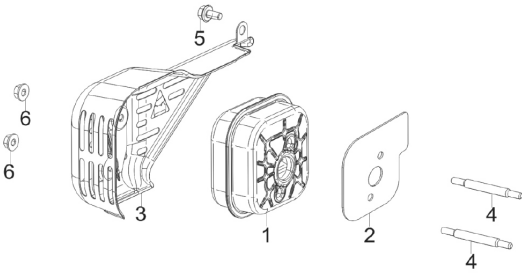
E07
CARBURETOR



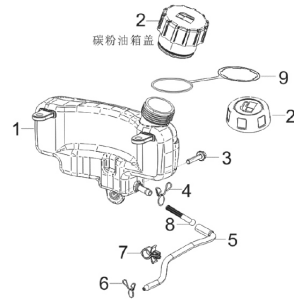
E08
AIR CLEANER



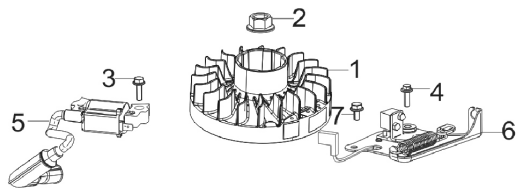
E09
MUFFLER



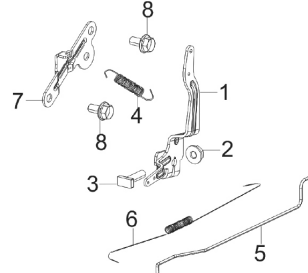
E10
FUEL TANK



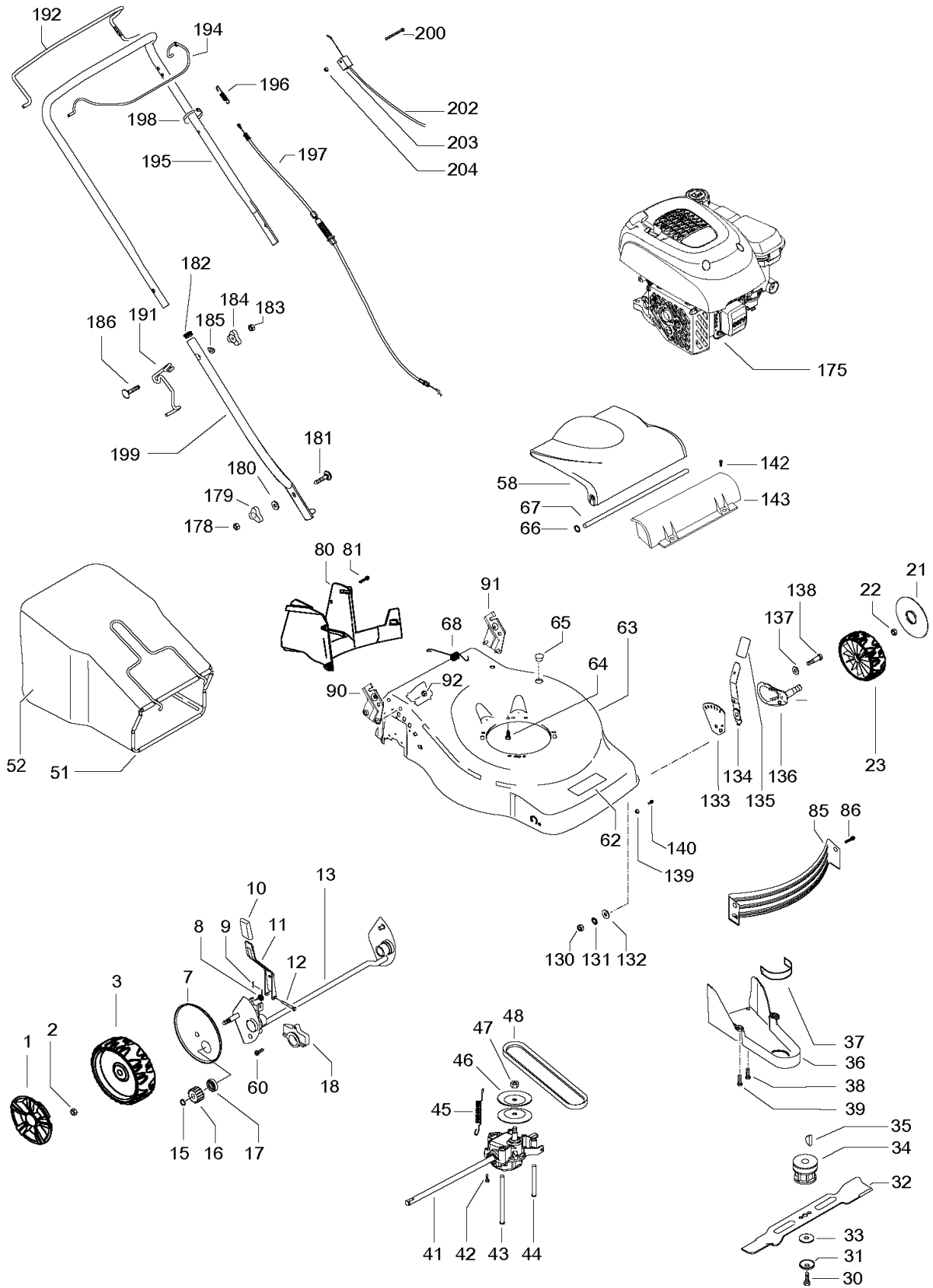
E11
FLYWHEEL ASSEMBLY



E12
THROTTLE CONTROL ASSEMBLY



Ref	Part No	Description	Remark	QTY	KIT
	593 05 81-01	CARBURETTOR KIT	Carburetor Kit	1	E07 - 1-5
	593 05 83-01	AIR FILTER ASSY	Air Cleaner Kit	1	E08 - 1, 2
	593 05 86-01	AIR CLEANER	Air Cleaner Element	1	E08 - 5
	593 05 88-01	MUFFLER KIT	Muffler Kit	1	E09 - 1-6
	593 05 91-01	FUEL TANK KIT	Fuel Tank Kit	1	E10 - 1-9
	593 05 94-01	FUEL CAP	Fuel Cap	1	E10 - 2
	593 05 96-01	FLYWHEEL ASSY	Flywheel Kit	1	E11 - 1, 2
	593 05 98-01	IGNITION KIT	Ignition Coil Kit	1	E11 - 3, 5
	593 06 00-01	BRAKE ASSY	Brake Kit	1	E11 - 4, 6, 7
	593 06 03-01	THROTTLE ASSY	Throttle Control Kit	1	E12 - 1-8



PRODUCT COMPLETE

M46-120 R CLASSIC, 96768270100, 2018-01

Ref	Part No	Description	Remark	QTY KIT
1	574 39 65-01	HUB CAP	d.210	2
2	504 85 78-01	NUT	M8, self locking, flanged	2
3	574 41 52-04	WHEEL	d.210	2
7	504 82 73-01	DUST COVER		2
8	583 95 13-02	SPRING		1
9	531 20 74-08	PIN RETAINING SCREW		1
10	574 61 05-01	KNOB		1
11	582 75 93-01	LEVER ASSY		1
12	587 19 82-01	PEN		1
13	504 80 01-01	REAR AXLE		1
15	531 20 87-72	WASHER		2
16	582 70 17-01	PINION		2
17	531 20 87-78	BEARING		2
18	531 20 59-44	SUPPORT		2
21	574 39 64-01	HUB CAP	d.190	2
22	504 85 78-01	NUT	M8, self locking, flanged	2
23	574 41 50-04	WHEEL	d.190	2
30	531 20 80-08	SCREW	3/8"	1
31	531 20 72-37	WASHER		1
32	581 18 89-10	MOWER BLADE		1
33	531 20 72-43	WASHER		1
34	581 84 30-01	BLADE SUPPORT		1
35	505 29 09-01	KEY		1
36	589 02 31-01	GUARD		1
37	501 18 90-02	BELT GUIDE		1
38	817 41 13-12	SCREW		1
39	531 20 78-56	SCREW	5x10	2
41	544 34 32-03	GEARBOX		1
42	510 03 75-01	SCREW	4x16, self threading	2
43	544 93 44-01	BELT GUIDE		1
44	544 93 43-01	BELT GUIDE		1
45	544 93 47-01	SPRING		1
46	504 54 79-01	PULLEY		2
47	504 54 80-01	NUT		1
48	504 03 48-01	BELT	Z28 10X710	1
51	531 21 34-67	FRAME		1
52	579 81 63-01	COLLECTOR		1
58	574 61 02-01	HATCH		1
60	531 20 66-77	SCREW		2
62	581 02 17-01	DECAL	McCulloch	1
63	582 89 04-02	CHASSIS		1
64	532 15 04-06	BOLT	3/8"	3
65	531 20 53-18	PLUG		1
66	584 81 69-03	LOCKWASHER		2
67	531 20 50-60	SHAFT		1
68	531 20 59-99	SPRING		1
80	589 02 30-01	BAFFLE		1
81	589 81 44-01	SCREW		5
85	589 00 87-01	BAFFLE		1
86	817 00 05-10	BOLT		2
90	582 74 98-02	HANDLE BRACKET	right	1
91	582 74 67-02	HANDLE BRACKET	left	1
92	582 75 89-01	HEXAGON NUT FLANGE	M8	4
130	531 20 79-78	NUT	M10	2
131	531 20 89-74	WASHER		2
132	531 20 79-89	WASHER		2
133	589 35 28-02	INDEX PLATE		2
134	544 45 25-01	LEVER		2
135	574 61 05-01	KNOB		2
136	589 35 41-02	FRONT AXLE ASSY		2
137	588 23 42-01	WASHER		2
138	531 20 49-12	SCREW	M10	2
139	531 20 52-13	NUT	M5	2
140	531 20 72-70	SCREW	M5	2

PRODUCT COMPLETE

M46-120 R CLASSIC, 96768270100, 2018-01

Ref	Part No	Description	Remark	QTY KIT
142	576 13 60-06	SCREW		2
143	579 30 09-01	SEAL		1
175	591 20 55-04	ENGINE		1
178	531 20 79-82	NUT	M8	2
179	531 20 49-23	WING NUT		2
180	531 20 49-22	WASHER		2
181	531 20 49-21	SCREW	M8x25	2
182	531 20 89-50	PLUG		2
183	531 20 79-82	NUT	M8	2
184	531 20 49-23	WING NUT		2
185	531 20 70-90	WASHER		2
186	531 20 70-89	SCREW	M8x50	2
191	504 70 86-01	HOOK		1
192	504 70 84-01	HANDLE		1
194	504 70 83-04	HANDLE		1
195	504 70 80-01	HANDLE	upper half	1
196	580 76 19-01	SPRING		1
197	544 90 80-01	CABLE		1
198	531 20 55-81	CLIP		2
199	531 20 60-71	HANDLE	lower half	2
200	580 83 36-01	SCREW EHHM	M5x40	1
202	582 19 21-02	CABLE ASSY		1
203	531 21 26-89	CASING		1
204	581 55 12-01	HEXAGON LOCKING NUT		1