

**PNC**

965983401

**ML**

01

**Model**

M 46-625 CMDEW

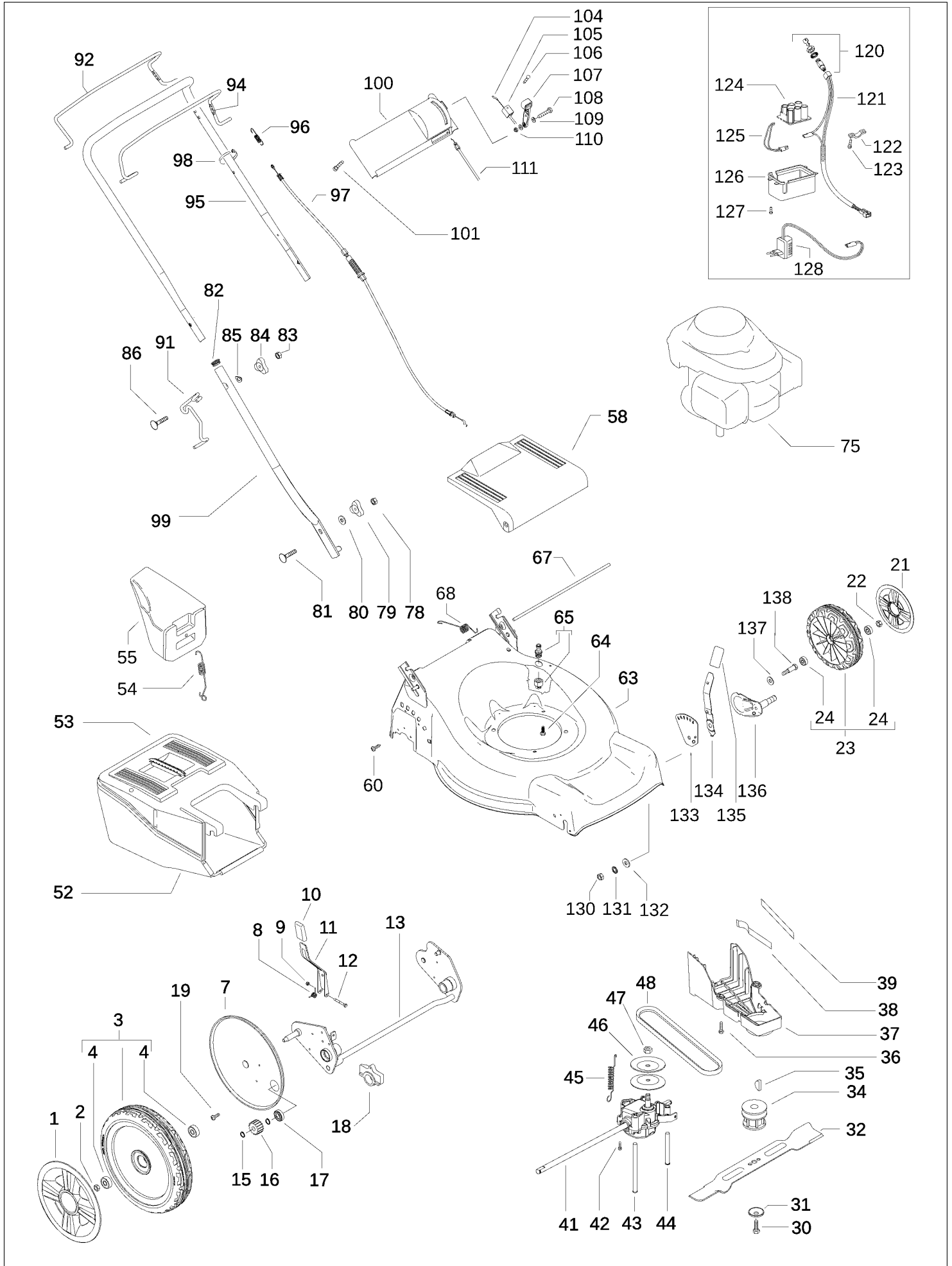
**Brand**

McCulloch

**Number of Pages 1 of 3**

<b>Factory:</b>	<b>IIQ - Valmadrera</b>	<b>Product Group:</b>	<b>OP 93</b>
<b>Publication Number:</b>	<b>MIPL2009_V070000004</b>	<b>Petrol Portable</b>	
<b>Publication Date:</b>	<b>04/02/09</b>	<b>Sub Group</b>	<b>1071</b>

HUSQVARNA OUTDOOR PRODUCTS ITALIA SPA



## HUSQVARNA OUTDOOR PRODUCTS ITALIA SPA

Item	PN	Description	Qty	Item	PN	Description	Qty
1	504 54 21-01	wheel cover Ø280	2	85	531 20 70-90	washer	2
2	504 85 78-01	nut M8, self locking, flanged	2	86	531 20 70-89	screw M8x50	2
3	505 43 60-01	wheel assy Ø280	2	91	504 70 86-01	starter cable guide	1
4	504 54 82-01	ball bearing	4	92	504 70 84-01	clutch lever	1
7	504 53 99-01	dust shield Ø280	2	94	504 70 83-04	brake lever	1
8	531 21 08-17	spring, wheel regulator lever	1	95	504 85 35-01	upper handle	1
9	531 20 84-92	nut M5, self locking	1	96	531 21 05-73	spring, clutch	1
10	531 20 79-86	handle, wheel regulator	1	97	544 90 80-01	clutch cable	1
12	538 23 58-07	screw 5x45	1	98	531 20 55-81	binder	2
13	510 09 29-01	rear axle	1	99	531 20 60-71	handle, lower half	2
15	531 20 87-72	seeger	4	100	531 20 51-32	dashboard	1
16	544 34 23-01	gear	2	101	531 20 88-44	screw, selfthreading	4
17	531 20 87-78	ball bearing	2	104	531 21 34-34	brake cable	1
18	531 20 59-44	rear axle housing	2	105	531 20 80-43	cable support	1
19	531 20 78-56	screw M5x10	4	106	531 20 82-17	screw 5x25, self threading	1
21	544 44 76-04	wheel cover Ø190	2	107	531 20 51-39	accelerator lever	1
22	504 85 78-01	nut M8, self locking, flanged	2	108	531 20 78-36	screw 5x25	1
23	544 91 73-01	wheel assy Ø190	2	109	531 20 66-66	washer	2
24	504 54 82-01	ball bearing	2	110	531 20 84-92	nut M5, self locking	1
30	531 20 80-08	screw, 3/8"	1	111	531 20 77-54	accelerator cable	1
31	531 20 72-37	spring washer	1	120	531 21 25-14	key,switch	1
32	531 21 10-17	mulching blade	1	121	531 21 34-14	wires assy	1
34	531 20 61-69	blade support	1	122	531 20 78-40	clamp	1
35	505 29 09-01	key	1	123	531 20 88-44	screw, selfthreading	2
36	531 20 78-56	screw 5x10	3	124	531 21 28-21	battery	1
37	544 46 22-01	belt cover	1	125	531 21 28-18	wires battery	1
38	504 04 61-01	belt guide	1	126	531 20 72-67	battery box	1
39	544 46 25-01	belt guide	1	127	531 20 71-90	screw, 4,3x13, self threading	4
41	504 54 14-02	gear box	1	128	531 20 09-04	battery charger	1
42	510 03 75-01	screw 4x18, self threading	2	130	531 20 79-78	nut M10	2
43	544 93 44-01	belt guide	1	131	531 20 89-74	washer	2
44	544 93 43-01	belt guide	1	132	531 20 79-89	washer	2
45	544 93 47-01	gear box spring	1	133	544 45 22-01	bracket, wheel adj.	2
46	504 54 79-01	pulley plate	2	134	544 45 25-01	wheel regulator lever	2
47	504 54 80-01	nut	1	135	531 20 79-86	handle, wheel regulator lever	2
48	504 03 48-01	belt Z28 10X710	1	136	504 85 14-01	wheels support	2
52	531 20 83-13	sack	1	137	531 20 60-20	washer	2
53	531 20 82-96	sack cover	1	138	531 20 49-12	screw M10	2
54	522 85 77-01	spring, mulching plug	1				
55	531 21 06-17	mulching plug	1				
58	531 21 26-46	safety flap	1				
60	531 20 66-77	screw 4.8x19, self threading	2				
63	531 21 38-93	deck	1				
64	531 21 28-51	screw 3/8" + split washer	3				
65	531 20 58-48	snap on connector	1				
67	531 20 50-60	safety flap bar	1				
68	531 20 59-99	spring	1				
75	————	engine, Briggs & Stratton, model number 122T074142	1				
78	531 20 79-82	nut M8	2				
79	531 20 49-23	knob	2				
80	531 20 49-22	washer	2				
81	531 20 49-21	screw M8x25	2				
82	531 20 89-50	cap	2				
83	531 20 79-82	nut M8	2				
84	531 20 49-23	knob	2				