

ILLUSTRATED PARTS LIST

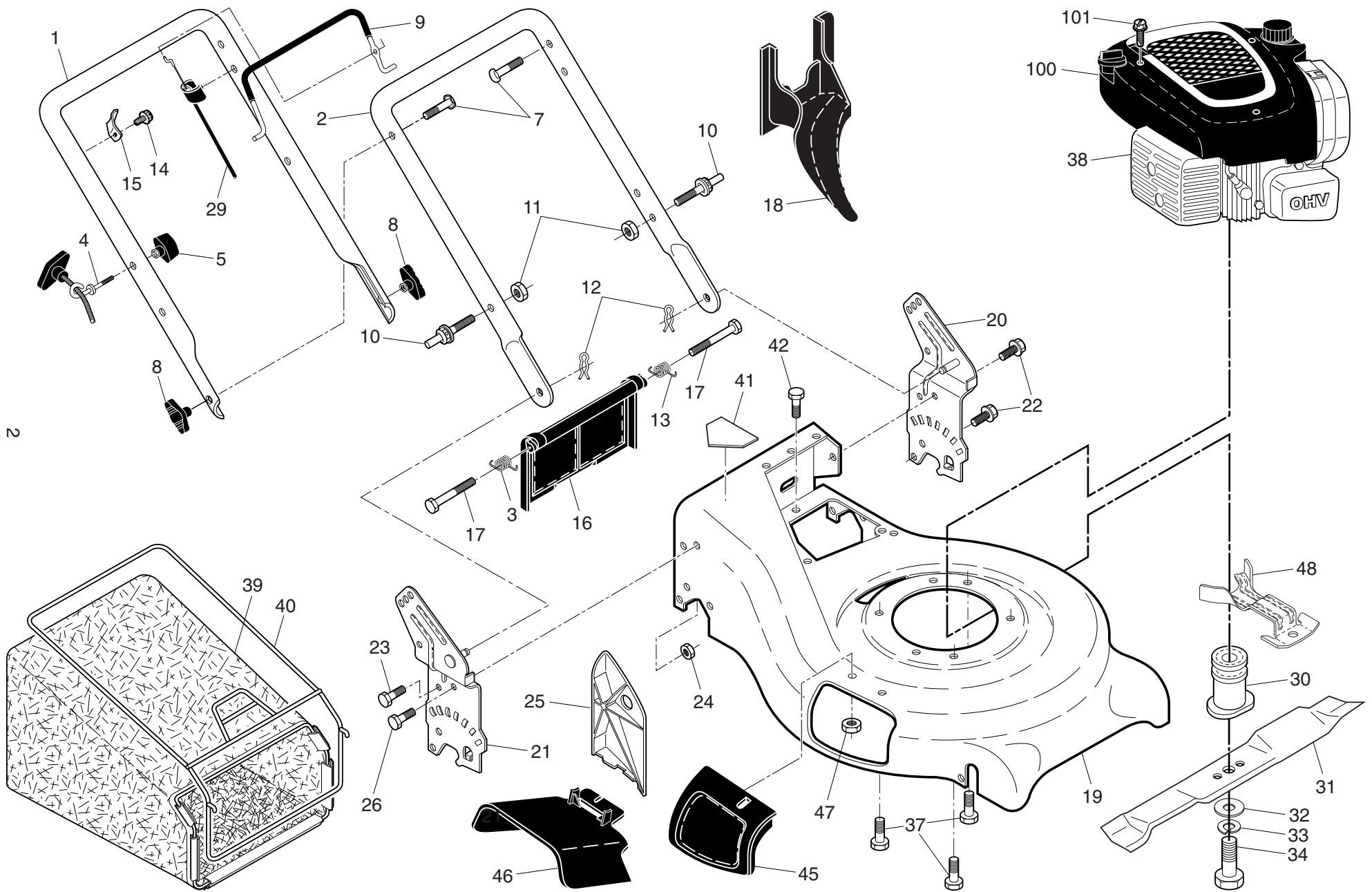
BRAND: McCULLOCH

ROTARY LAWN MOWER

MODEL NUMBER: M53-150ARP

MFG. ID. NUMBER: 96141031200

McCULLOCH ROTARY LAWN MOWER - - MODEL NUMBER M53-150ARP (MFG. ID. NO. 96141031200)



McCULLOCH ROTARY LAWN MOWER - - MODEL NUMBER M53-150ARP (MFG. ID. NO. 96141031200)

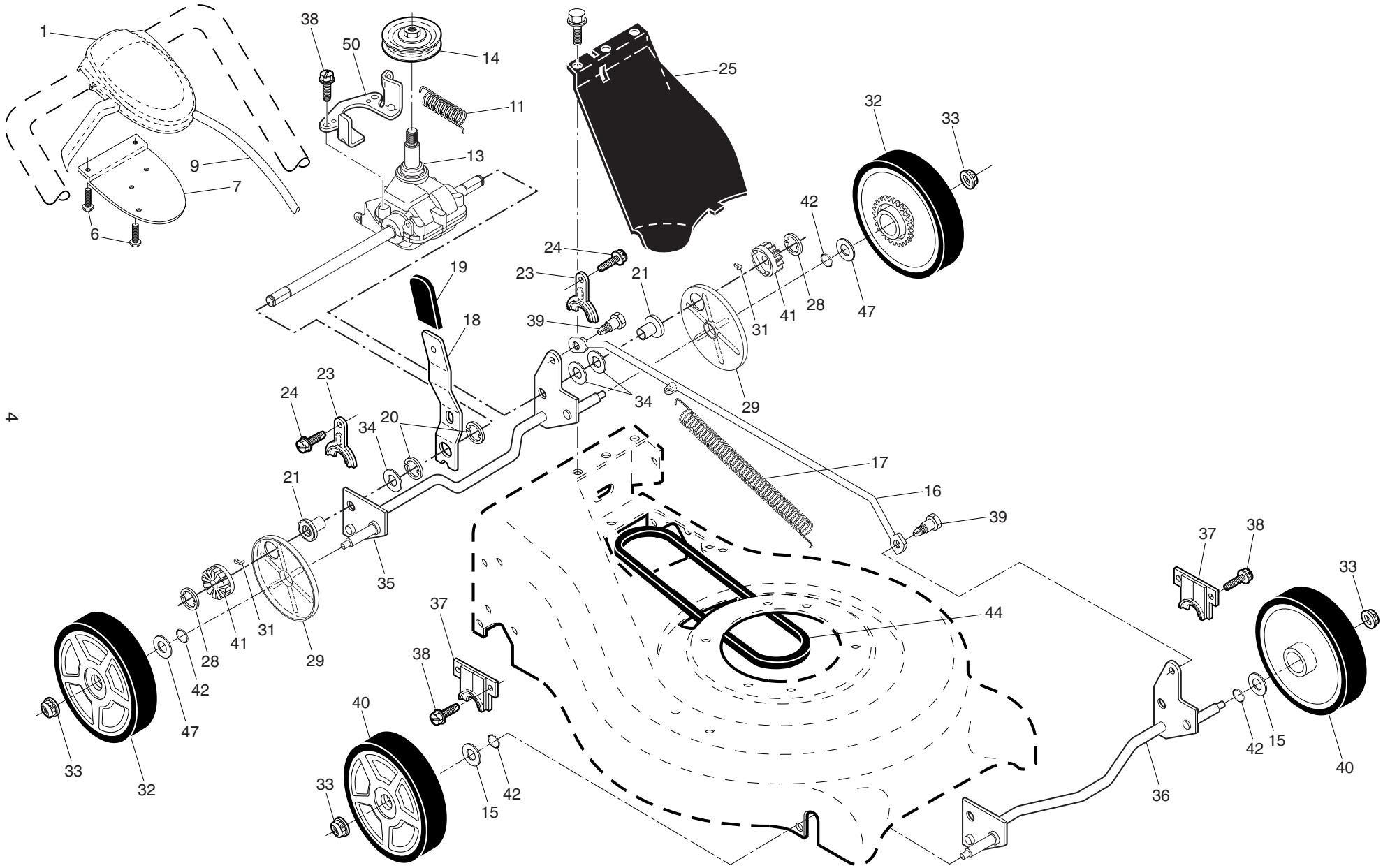
KEY NO.	PART NO.	DESCRIPTION	KEY NO.	PART NO.	DESCRIPTION
1	580 63 87-05	Upper Handle Assembly	29	532 42 74-97	Cable, Engine Zone Control
2	532 19 60-05	Handle, Lower	30	532 19 59-63	Blade Adapter / Pulley
3	532 40 54-16	Spring, Rear Door, RH	31	532 19 93-77	Blade, 21"
4	581 90 21-01	Rope Guide	32	532 85 10-74	Washer
5	581 91 26-01	T-Knob	33	532 85 02-63	Washer, Lock
6	532 06 64-26	Wire, Tie	34	532 85 10-84	Bolt, Hex Head
7	532 19 15-74	Bolt, Handle 5/16-18 x 2-5/8	37	532 15 04-06	Bolt, Engine
8	532 19 19-38	Knob, Handle	38	- - -	Engine, Briggs & Stratton, Model Number 93J02-0053-H1 (Order parts from Briggs & Stratton)
9	580 84 91-04	Control Bar, Overmolded			
10	532 18 88-21	Bolt, Carriage	39	581 00 29-05	Grassbag
11	532 75 11-53	Nut, Hex, with Lockwasher Insert 5/16-18 UNC	40	532 41 19-51	Frame, Grassbag
12	532 05 17-93	Cotter, Hairpin	41	532 18 21-66	Danger Decal
13	532 40 54-15	Spring, Rear Door, LH	42	817 06 04-10	Screw
14	532 17 88-48	Screw, Hex Washer Head #10-16 x 5/8	45	532 19 13-41	Mulcher Door
15	532 43 00-34	Bracket, Upstop	46	532 19 12-10	Discharge Deflector
16	532 40 88-88	Rear Door Assembly	47	532 08 83-49	Locknut, Hex
17	532 18 41-93	Bolt, Rear Door	48	532 42 90-01	Belt Keeper
18	532 19 81-70	Plug, Mulcher	100	580 44 56-01	Shroud, Engine
19	532 40 73-30	Kit, Housing	101	532 18 16-98	Screw, Engine Shroud
20	532 19 40-29	Handle Bracket Assembly, LH	--	532 18 21-91	Warning Decal (not shown)
21	532 19 40-31	Handle Bracket Assembly, RH	--	115 77 91-20	Operator's Manual, European
22	532 42 88-67	Screw, Hex Washer Head	--	115 77 93-10	Operator's Manual, Scandinavian
23	532 16 31-83	Bolt, Hex Head 5/16-18 x 5/8	--	115 77 92-50	Operator's Manual, East Bloc
24	873 80 05-00	Nut, Hex, with Lockwasher Insert 5/16-18	--	115 77 94-40	Operator's Manual, Baltic
25	532 16 13-33	Baffle, Side	--	115 77 95-94	Operator's Manual, Ukranian
26	532 16 34-09	Screw #12 x 5/8			

3

NOTE: All component dimensions given in U.S. inches. 1 inch = 25.4 mm

IMPORTANT: Use only Original Equipment Manufacturer (O.E.M.) replacement parts. Failure to do so could be hazardous, damage your lawn mower and void your warranty.

McCULLOCH ROTARY LAWN MOWER - - MODEL NUMBER M53-150ARP (MFG. ID. NO. 96141031200)



McCULLOCH ROTARY LAWN MOWER - - MODEL NUMBER M53-150ARP (MFG. ID. NO. 96141031200)

KEY NO.	PART NO.	DESCRIPTION	KEY NO.	PART NO.	DESCRIPTION
1	501 67 99-01	Drive Control Assembly (Includes Cable)	28	812 00 00-58	E-Ring 7/16
6	532 18 16-98	Screw, Tapping, Hex Washer Head #10-24	29	581 84 04-01	Cover, Dust, Wheel
7	587 24 93-02	Mounting Bracket, Drive	31	532 40 48-45	Pawl, Drive
9	532 43 16-55	Cable, Drive Control	32	581 68 55-05	Wheel & Tire Assembly, Rear 8 x 1-3/4
11	532 40 65-58	Spring, Return	33	532 40 91-48	Nut, Hex, Flangelock 3/8-16
13	532 41 92-13	Gear Case Assembly, Complete	34	532 85 12-26	Washer
14	532 19 34-43	Pulley, Drive	35	532 42 24-47	Shaft Assembly, Rear
15	532 08 83-48	Washer, Flat 3/8	36	532 41 09-33	Shaft Assembly, Front
16	532 40 71-47	Rod, Connecting	37	532 16 14-63	Retainer, Front Shaft
17	532 40 96-16	Spring, Extension	38	532 16 34-09	Screw, Hi-Lo Thread #12 x 5/8
18	532 41 88-66	Spring, Selector	39	532 40 70-59	Bolt
19	532 19 00-69	Knob, Selector Spring	40	581 00 94-05	Wheel & Tire Assembly, Front 8 x 1-3/4
20	812 00 00-22	E-Ring 7/8	41	532 40 48-35	Pinion
21	532 40 48-38	Bearing Assembly	42	532 19 74-80	O-Ring
23	532 16 45-55	Retainer, Drive Assembly, Stamped	44	532 40 65-80	V-Belt
24	817 06 04-10	Screw, Tapping, Hex Head 1/4-20 x 3/4	47	532 06 77-25	Washer 1/2 x 1-1/2 x .134
25	532 43 26-70	Drive Cover Assembly (Includes Mounting Screw and Pushnut)	50	532 41 31-04	Belt Keeper

NOTE: All component dimensions given in U.S. inches. 1 inch = 25.4 mm

IMPORTANT: Use only Original Equipment Manufacturer (O.E.M.) replacement parts. Failure to do so could be hazardous, damage your lawn mower and void your warranty.