

PNC

966842301

ML

00

Model

M 46-135 CDW

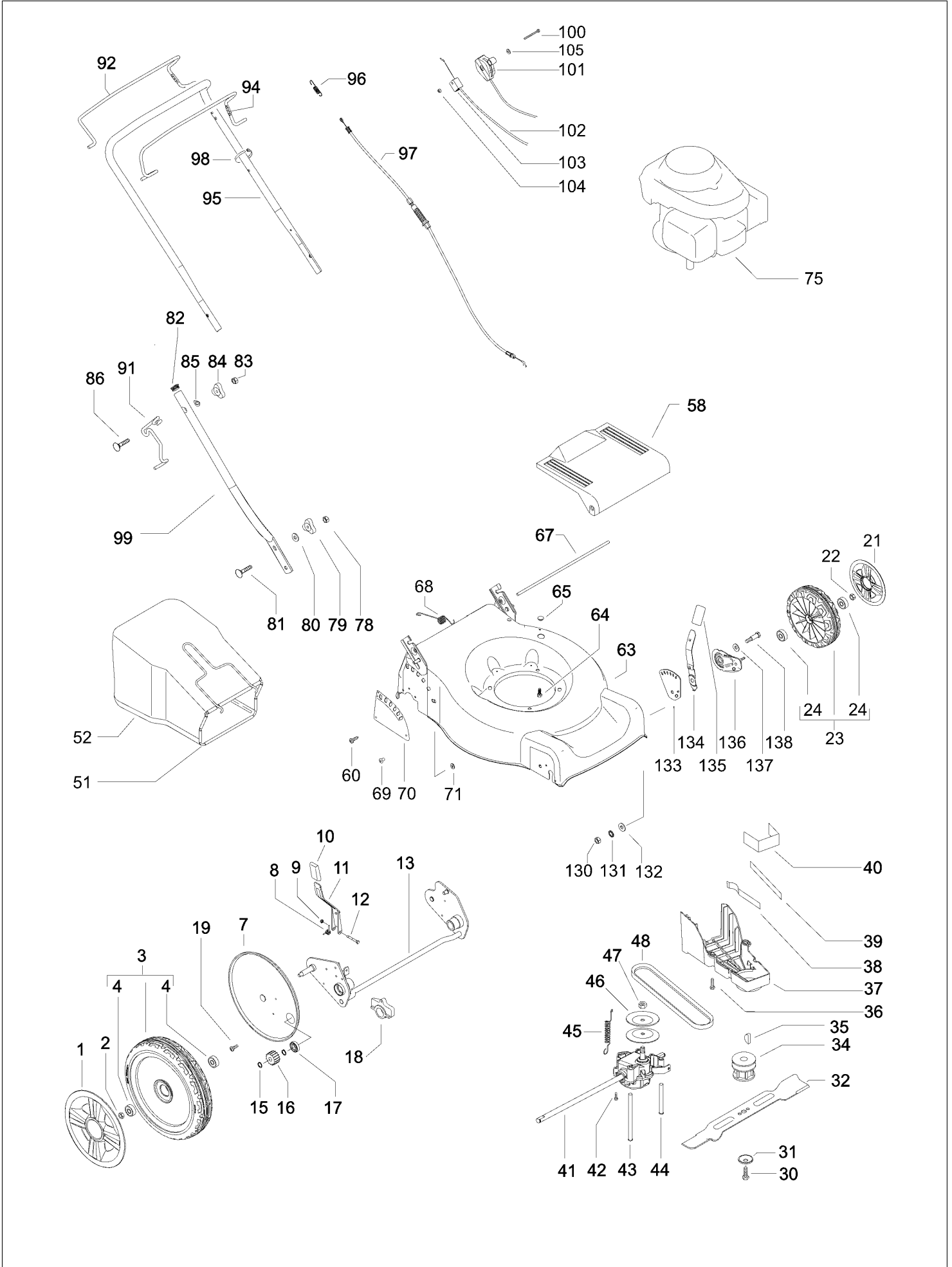
Brand

McCulloch

Number of Pages 1 of 3

Factory:	IIQ - Valmadrera	Product Group:	OP 93
Publication Number:	MIPL2008_V190000008	Petrol Portable	
Publication Date:	09/05/08	Sub Group	1071

HUSQVARNA OUTDOOR PRODUCTS ITALIA SPA



HUSQVARNA OUTDOOR PRODUCTS ITALIA SPA

Item	PN	Description	Qty	Item	PN	Description	Qty
1	504 54 21-01	wheel cover Ø280	2	82	531 20 89-50	cap	2
2	504 85 78-01	nut M8, self locking, flanged	2	83	531 20 79-82	nut M8	2
3	505 43 60-01	wheel assy Ø280	2	84	531 20 49-23	knob	2
4	504 54 82-01	ball bearing	4	85	531 20 70-90	washer	2
7	504 53 99-01	dust shield Ø280	2	86	531 20 70-89	screw M8x50	2
8	531 21 08-17	spring, wheel regulator lever	1	88	531 20 84-91	nut M6 self	1
9	531 20 84-92	nut M5, self locking	1	89	531 20 49-61	washer	2
10	531 20 79-86	handle, wheel regulator	1	90	531 20 71-65	nut M6	1
11	501 98 01-01	wheel regulator lever	1	91	531 20 51-69	starter cable guide	1
12	531 20 63-46	screw M5x40	1	92	504 70 84-01	clutch lever	1
13	505 28 52-01	rear axle	1	94	504 70 83-04	brake lever	1
15	531 20 87-72	seeger	4	95	504 70 80-01	upper handle	1
16	544 34 23-01	gear	2	96	531 21 05-73	spring, clutch	1
17	531 20 87-78	ball bearing	2	97	544 90 80-01	clutch cable	1
18	531 20 59-44	rear axle housing	2	98	531 20 55-81	binder	2
19	531 20 78-56	screw M5x10	4	99	531 20 60-71	handle, lower half	2
21	544 44 76-04	wheel cover Ø190	2	100	531 20 62-12	screw M5x60	1
22	504 85 78-01	nut M8, self locking, flanged	2	101	531 20 60-30	accelerator lever and cable	1
23	544 91 73-01	wheel assy Ø190	2	102	531 21 35-22	brake cable	1
24	504 54 82-01	ball bearing	4	103	531 20 80-43	cable support	1
30	531 20 80-08	screw, 3/8"	1	104	531 20 52-13	nut M5	1
31	531 20 72-37	spring washer	1	105	531 20 66-66	washer	1
32	531 21 10-17	mulching blade	1	130	531 20 79-78	nut M10	2
34	504 59 12-01	blade support	1	131	531 20 89-74	washer	2
35	504 59 14-01	key	1	132	531 20 79-89	washer	2
36	531 20 78-56	screw 5x10	3	133	544 45 22-01	bracket, wheel adj.	2
37	544 46 22-01	belt cover	1	134	544 45 25-01	wheel regulator lever	2
38	504 04 61-01	belt guide	1	135	531 20 79-86	handle, wheel regulator lever	2
39	544 46 25-01	belt guide	1	136	504 85 14-01	wheels support	2
40	504 05 66-01	belt guide	1	137	531 20 66-43	washer	2
41	504 54 14-02	gear box	1	138	531 20 49-12	screw M10	2
42	510 03 75-01	screw 4x16, self threading	2				
43	544 93 44-01	belt guide	1				
44	544 93 43-01	belt guide	1				
45	544 93 47-01	gear box spring	1				
46	504 54 79-01	pulley plate	2				
47	504 54 80-01	nut	1				
48	504 03 48-01	belt Z28 10X710	1				
51	531 21 34-67	sack frame	1				
52	531 21 14-37	sack	1				
58	531 21 26-46	safety flap	1				
60	531 20 66-77	screw	2				
63	504 87 41-43	deck	1				
64	531 21 28-51	screw 3/8" + split washer	3				
65	531 20 53-18	cap	1				
67	531 20 50-60	safety flap bar	1				
68	531 20 59-99	spring	1				
69	531 21 36-05	rivet	1				
70	544 83 46-01	bracket, wheel adj.	1				
71	531 20 66-66	washer	1				
75	————	engine, Honda, model number GCV135E-A4-G9-SD	1				
78	531 20 79-82	nut M8	2				
79	531 20 49-23	knob	2				
80	531 20 49-22	washer	2				
81	531 20 49-21	screw M8x25	2				